



City of Chicago



O2021-4079

Office of the City Clerk

Document Tracking Sheet

Meeting Date:	9/14/2021
Sponsor(s):	Sigcho-Lopez (25)
Type:	Ordinance
Title:	Awning(s) for Xin Yu Fashions
Committee(s) Assignment:	Committee on Transportation and Public Way

ORDINANCE

XIN YU FASHIONS

Acct. No.: 431662 - 2

Permit No: BACP1148193

Be It Ordained by the City Council of the City of Chicago:

SECTION 1. Permission and authority are hereby given and granted to XIN YU FASHIONS upon the terms and subject to the conditions of this ordinance to construct, install, maintain and use one (1) Awning with Lettering or Graphics(s) projecting over the public right-of-way adjacent to its premises known as 2315 S WENTWORTH AVE.

Said Awning with Lettering or Graphics(s) at S. Wentworth Avenue measure(s):
One (1) at seventeen (17) feet in length and Zero (0) feet in width for a total of seventeen (17) square fee

The location of said privilege shall be as shown on prints kept on file with the Department of Business Affairs and Consumer Protection and the Office of the City Clerk.

Said privilege shall be constructed in accordance with plans and specifications approved by the Zoning Department - Signs.

This grant of privilege in the public way shall be subject to the provisions of Section 10-28-015 and all other required provisions of the Municipal Code of Chicago.

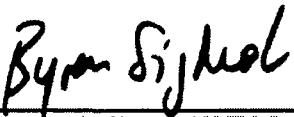
The grantee shall pay to the City of Chicago as compensation for the privilege #BACP1148193 herein granted the sum of fifty (\$50.00) per annum in advance.

A 25% penalty will be added for payments received after due date.

The permit holder agrees to hold the City of Chicago harmless for any damage, relocation or replacement costs associated with damage, relocation or removal of private property caused by the City performing work in the public way.

Authority herein given and granted for a period of five (5) years from and after 05/04/2021.

Alderman:


Byron Sigcho-Lopez 25th Ward

SIGN 1: AWNING

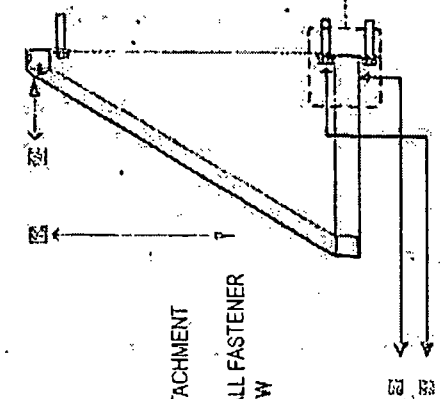
Xin Yu Fashion

CLOTHING ACCESSORIES SHOES
 HATS
 HANDBAGS NEWSTHINGS
 BOUTIQUE FASHION WHOLESALES

2315 S WENTWORTH AVE CHICAGO, ILLINOIS 60616 TEL: 312-478-8080

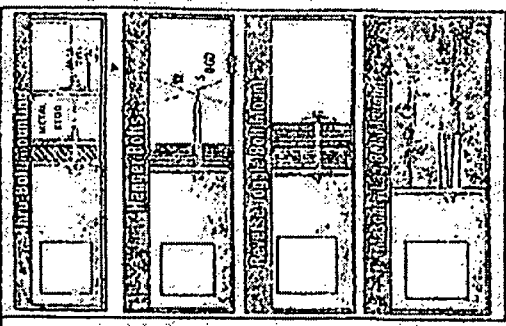
SPECIFICATIONS

- AWNING FABRIC MATERIAL
- 1" X 1" SQUARE TUBE FRAME
- 3/16" GALVANIZED STEEL Z-CLIP ATTACHMENT
- APPROPRIATE NON-CORROSIVE WALL FASTENER
 3/8 IN. ZINC-PLATED HEX LAG SCREW
 SPACING EACH 4 FT
 SEE MOUNTING OPTION DETAILS
- #12 TEK SCREW

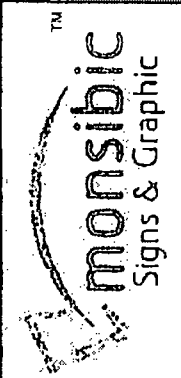


Z-CLIP FOR INSTALLATION EVERY FOUR SIDED

NOTE: Color output may not be exact when viewing or printing this drawing. All colors used are PMS or the closest CMYK.



NOTE: Elevation drawings are for customer approval only, drawings are not to be used as any installation guide, all dimensions must be verified before installation.



Client Name:
Xin Yu Fashion

Location:
2315 S Wentworth Ave
Chicago, Illinois 60616

Start Date: 03-09-2021
 Last Revision:
 Job#:
 Drawing#:
 Page: 3/5

Client Approval
 Landlord Approval

Sales Rep:
RW
 Designer:
Simon L.



Department of Business Affairs and Consumer Protection
Small Business Center - Public Way Use Unit
City Hall - 121 N. LaSalle Street, Room 800, Chicago, IL 60602
312-74-GOBIZ / 312-744-6249 • (312) 744-1944 (TTY)
<http://www.cityofchicago.org/bacp>

09/14/2021

Alderman Byron Sigcho-Lopez
Ward # 25
City of Chicago
City Hall, Room 800
121 N. LaSalle Street
Chicago, IL 60602

Re: An ordinance to use and maintain a portion of the public right-of-way for **1 Awning with Lettering or Graphics(s)** for **XIN YU FASHIONS**, adjacent to the premises known as **2315 S WENTWORTH AVE**

Dear Alderman **Byron Sigcho-Lopez**:

The applicant referenced above has requested the use of the public right-of-way for **Awning with Lettering or Graphics(s)**. An ordinance has been prepared by the Department of Business Affairs and Consumer Protection - Small Business Center - Public Way Use Unit for presentation to the City Council. Because this request was made for properties located in your ward, as approved by you as per the attached, I respectfully request that you introduce the attached ordinance at the next City Council meeting.

If you have any questions regarding this ordinance, please contact Anthony Bertuca at (312) 744-5506.

Department of Business Affairs and Consumer Protection