



City of Chicago



O2014-1000

Office of the City Clerk

Document Tracking Sheet

Meeting Date:	2/5/2014
Sponsor(s):	Fioretti (2)
Type:	Ordinance
Title:	Grant(s) of privilege in public way for Americash Loans LLC
Committee(s) Assignment:	Committee on Transportation and Public Way

ORDINANCE
AMERICASH LOANS LLC
Acct. No. 86350 - 5
Permit No. 1110014

Be It Ordained by the City Council of the City of Chicago:

SECTION 1. Permission and authority are hereby given and granted to AMERICASH LOANS LLC, upon the terms and subject to the conditions of this ordinance to maintain and use one (1) sign(s) projecting over the public right-of-way attached to its premises known as 179 W. Van Buren St..

Said sign structure(s) measures as follows; along W. Van Buren:

One (1) at nine point seven two (9.72) feet in length, three point eight three (3.83) feet in height and ten (10) feet above grade level.

The location of said privilege shall be as shown on prints kept on file with the Department of Business Affairs and Consumer Protection and the Office of the City Clerk.

Said privilege shall be constructed in accordance with plans and specifications approved by the Department of Transportation (Division of Project Development) and Zoning Department - Signs.

This grant of privilege in the public way shall be subject to the provisions of Section 10-28-015 and all other required provisions of the Municipal Code of Chicago.

The grantee shall pay to the City of Chicago as compensation for the privilege #1110014 herein granted the sum of three hundred (\$300.00) per annum in advance.

A 25% penalty will be added for payments received after due date.

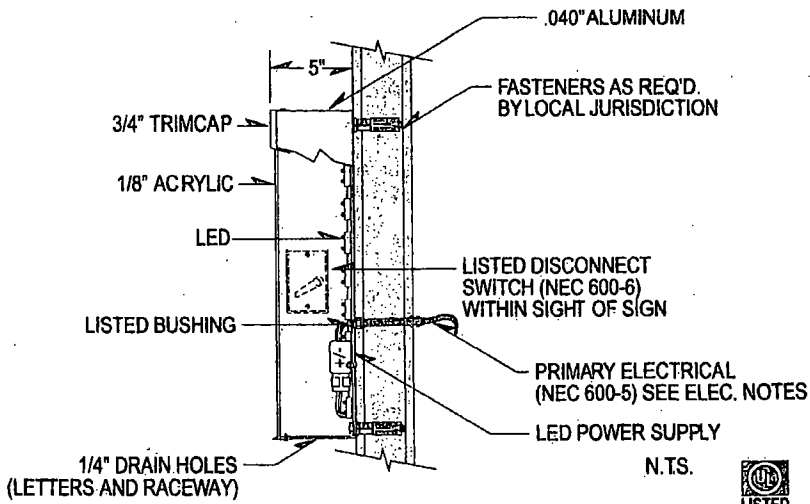
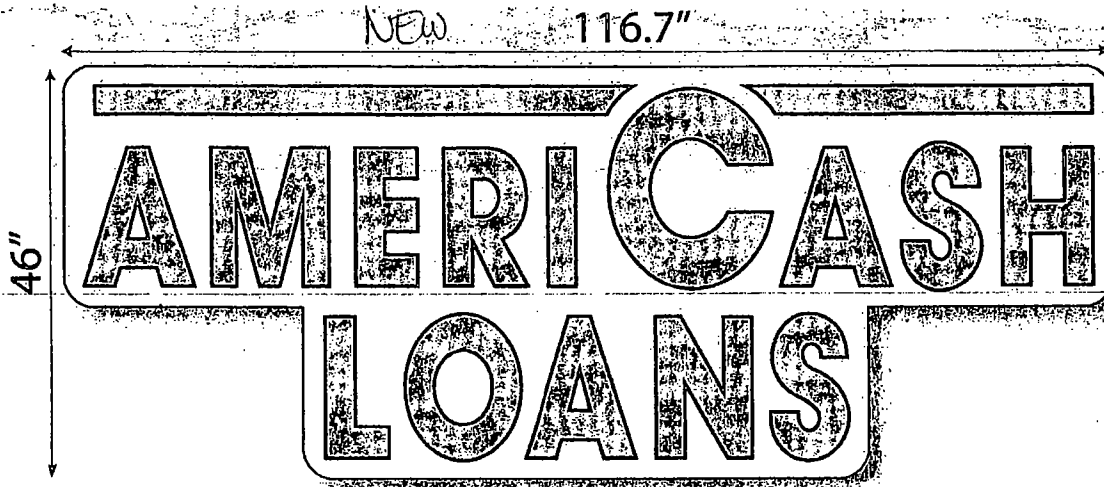
The permit holder agrees to hold the City of Chicago harmless for any damage, relocation or replacement costs associated with damage, relocation or removal of private property caused by the City performing work in the public way.

Authority herein given and granted for a period of five (5) years from and after Date of Passage.

Alderman



Bob Fioretti 2nd Ward



EXTERIOR SIGN

AMERICASH LO
179 W. VanBuren
Chicago, IL

Scale: _____
Job #: _____
Designer: fmp Date: 2/27/2
11: 00/00/00
12: 00/00/00
13: 00/00/00
14: 00/00/00

ACL VanBuren 0227201

Design Status:
 Approved Approved as R
 Revise & resubmit

DATE: _____

Permit Status:

MUNICIPALITY: _____
 Applied DATE: _____
 Revise & resubmit DATE: _____
 Approved DATE: _____

SIGNS SIGNS

FULL SERVICE SIGN CO.
www.signs3.com
207 Gall Ct. S.
Prospect Heights, IL 60070
Phone: (847) 222-0505
Fax: (847) 222-0505
info@signs3.com

PROJECT COLOR

- Black
- White
- Green #PMS 362
- Yellow #PMS 1131

PROJECT NOT

- QUANTITY: (1) set of LED channel letter
- ILLUMINATION: YES/white LED
- FACES: White lexan w/ applied translucent
- CASE: Aluminum painted green
- TRIMCAP: Green jewel fit
- MOUNTING: mount channel box to fas
- RACEWAY: N/A
- DIMENSIONS: 46"x116.7"
- TOTAL SQUARE FEET: 37.4 SF
- PRIMARY ELECTRICAL REQUIREMENT to existing file
- UL LISTED: YES

RENDERI DRAWING



02/05/2014

Alderman **Bob Fioretti**
Ward # **02**
City of Chicago
City Hall, Room **300**
121 North LaSalle Street
Chicago, Illinois 60602

Re: An ordinance to use and maintain a portion of the public right-of-way for **one (1) sign(s)** for
AMERICASH LOANS LLC, adjacent to the premises known as **179 W. Van Buren St.**

Dear Alderman **Bob Fioretti**:

The applicant referenced above has requested the use of the public right-of-way for a **sign(s)**. An ordinance has been prepared by the Department of Business Affairs and Consumer Protection – Small Business Center - Public Way Use Unit for presentation to the City Council. Because this request was made for properties located in your ward, as approved by you as per the attached, I respectfully request that you introduce the attached ordinance at the next City Council meeting.

If you have any questions regarding this ordinance, please contact Anthony Bertuca at (312) 744-5506.

Department of Business Affairs and Consumer Protection