



City of Chicago



O2015-4385

Office of the City Clerk

Document Tracking Sheet

Meeting Date:	5/20/2015
Sponsor(s):	Hopkins (2)
Type:	Ordinance
Title:	Grant(s) of privilege in public way for Monkeys Paw, The - bay window
Committee(s) Assignment:	Committee on Transportation and Public Way

ORDINANCE
THE MONKEYS PAW
Acct. No. 346731 - 1
Permit No. 1118813

Be It Ordained by the City Council of the City of Chicago:

SECTION 1. Permission and authority are hereby given and granted to THE MONKEYS PAW, upon the terms and subject to the conditions of this ordinance to maintain and use, as now constructed, one (1) Bay Window(s) projecting over the public right-of-way adjacent to its premises known as 2524 N. Southport Ave..

Said Bay Window(s) at N. Southport Avenue measure(s):

One (1) at twelve (12) feet in length, and one point zero eight (1.08) foot in width for a total of twelve point nine six (12.96) square feet.

The location of said privilege shall be as shown on prints kept on file with the Department of Business Affairs and Consumer Protection and the Office of the City Clerk.

Said privilege shall be constructed in accordance with plans and specifications approved by the Department of Transportation (Division of Project Development).

This grant of privilege in the public way shall be subject to the provisions of Section 10-28-015 and all other required provisions of the Municipal Code of Chicago.

The grantee shall pay to the City of Chicago as compensation for the privilege #1118813 herein granted the sum of seventy-five (\$75.00) per annum in advance.

A 25% penalty will be added for payments received after due date.

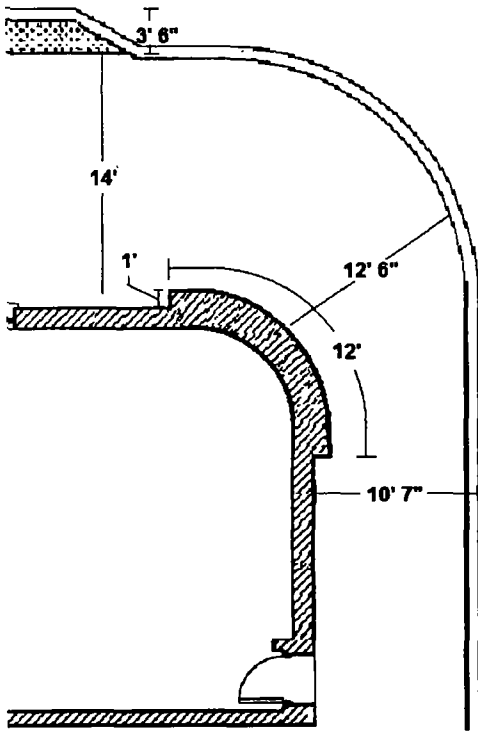
The permit holder agrees to hold the City of Chicago harmless for any damage, relocation or replacement costs associated with damage, relocation or removal of private property caused by the City performing work in the public way.

Authority herein given and granted for a period of five (5) years from and after 12/16/2014.

Alderman Brian Hopkins

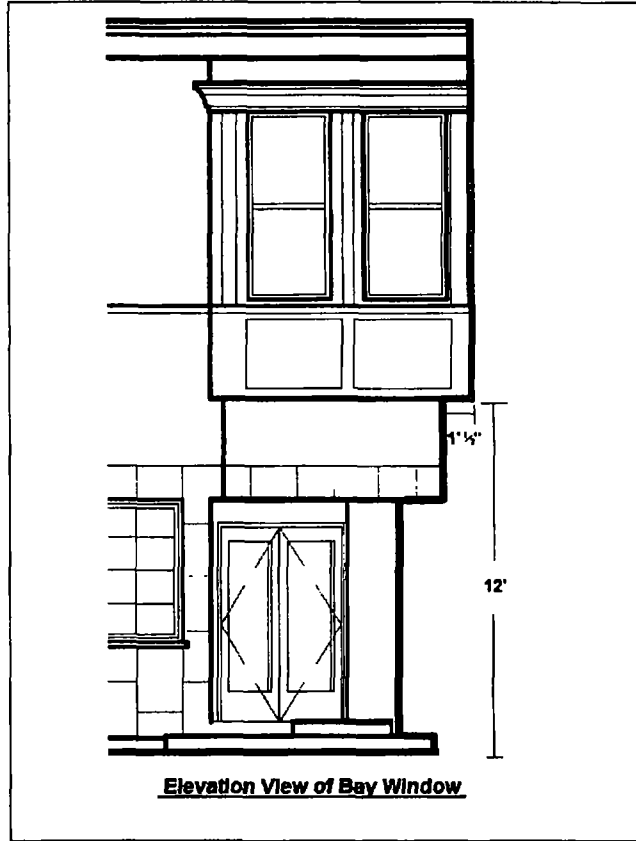
Brian Hopkins 2nd Ward

Lill Ave.



Top View of Bay Window

Bay Window at 2524 N. Southport Avenue



Elevation View of Bay Window

Southport Ave.



Department of Business Affairs and Consumer Protection
Small Business Center - Public Way Use Unit
City Hall - 121 N LaSalle Street, Room 800 • Chicago, IL 60602
312-74-GOBIZ / 312-744-6249 • (312) 744-1944 (TTY)
<http://www.cityofchicago.org/bacp>

05/20/2015

Alderman **Brian Hopkins**
Ward # **02**
City of Chicago
City Hall, Room **300**
121 North LaSalle Street
Chicago, Illinois 60602

Re: An ordinance to use and maintain a portion of the public right-of-way for **one (1) bay window(s)** for **THE MONKEYS PAW**, adjacent to the premises known as **2524 N. Southport Ave.**.

Dear Alderman **Brian Hopkins**:

The applicant referenced above has requested the use of the public right-of-way for a **bay window(s)**. An ordinance has been prepared by the Department of Business Affairs and Consumer Protection – Small Business Center - Public Way Use Unit for presentation to the City Council. Because this request was made for properties located in your ward, as approved by you as per the attached, I respectfully request that you introduce the attached ordinance at the next City Council meeting.

If you have any questions regarding this ordinance, please contact Anthony Bertuca at (312) 744-5506.

Department of Business Affairs and Consumer Protection