



# City of Chicago



O2018-261

Office of the City Clerk

## Document Tracking Sheet

<b>Meeting Date:</b>	1/17/2018
<b>Sponsor(s):</b>	Solis (25)
<b>Type:</b>	Ordinance
<b>Title:</b>	Awning(s) for Xilin Art Academy
<b>Committee(s) Assignment:</b>	Committee on Transportation and Public Way

ORDINANCE  
XILIN ART ACADEMY  
Acct. No. 422643 - 1  
Permit No 1130204

*Be It Ordained by the City Council of the City of Chicago:*

SECTION 1. Permission and authority are hereby given and granted to XILIN ART ACADEMY, upon the terms and subject to the conditions of this ordinance to maintain and use, as now constructed, one (1) Awning(s) projecting over the public right-of-way adjacent to its premises known as 2356 S. Wentworth Ave..

Said Awning(s) at S WENTWORTH AVE measure(s):

One (1) at sixteen (16) feet in length, and two (2) feet in width for a total of thirty-two (32) square feet.

The location of said privilege shall be as shown on prints kept on file with the Department of Business Affairs and Consumer Protection and the Office of the City Clerk.

Said privilege shall be constructed in accordance with plans and specifications approved by the Zoning Department - Signs

This grant of privilege in the public way shall be subject to the provisions of Section 10-28-015 and all other required provisions of the Municipal Code of Chicago.

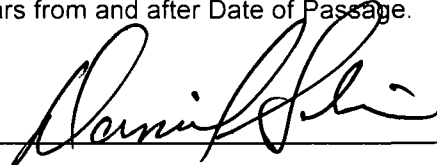
The grantee shall pay to the City of Chicago as compensation for the privilege #1130204 herein granted the sum of fifty (\$50.00) per annum in advance.

A 25% penalty will be added for payments received after due date.

The permit holder agrees to hold the City of Chicago harmless for any damage, relocation or replacement costs associated with damage, relocation or removal of private property caused by the City performing work in the public way.

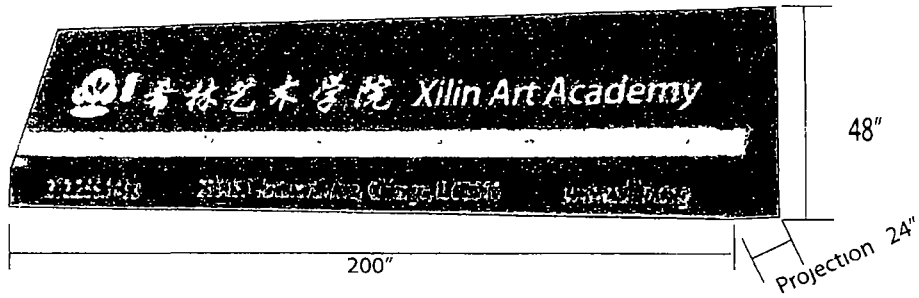
Authority herein given and granted for a period of five (5) years from and after Date of Passage.

Alderman



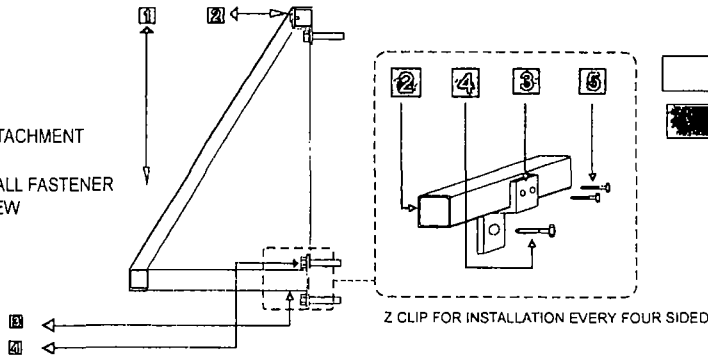
Daniel S. Solis 25th Ward

# SIGN 2: AWNING



## SPECIFICATIONS

- AWNING FABRIC MATERIAL
- 1 X 1 SQUARE TUBE FRAME
- 3/16" GALVANIZED STEEL Z-CLIP ATTACHMENT
- APPROPRIATE NON CORROSIVE WALL FASTENER
- 3/8 IN ZINC-PLATED HEX LAG SCREW
- SPACING EACH 4 FT
- SEE MOUNTING OPTION DETAILS
- #12 TEK SCREW



## COLOR SCHEDULE

## MOUNTING DETAIL

Thru-Bolt Mounting

Hanger Bolts

Reverse Toggle Bolt Mounting

Masonry Lag Bolt Mounting



**Client Name**  
Xilin Art Academy

**Location**  
2354 S. Wentworth Ave  
Chicago IL 60616

**Start Date** 06/26/2017  
**Last Revision**  
**Job#**  
**Drawing#**  
**Page 3**

- Client Approval
- Landlord Approval

**Sales Rep**  
kw  
**Designer**  
SL





**Department of Business Affairs and Consumer Protection**  
Small Business Center - Public Way Use Unit  
City Hall - 121 N LaSalle Street, Room 800 • Chicago, IL 60602  
312-74-GOBIZ / 312-744-6249 • (312) 744-1944 (TTY)  
<http://www.cityofchicago.org/bacp>

**01/17/2018**

Alderman **Daniel S. Solis**  
Ward # **25**  
City of Chicago  
City Hall, Room **304**  
121 North LaSalle Street  
Chicago, Illinois 60602

Re: An ordinance to use and maintain a portion of the public right-of-way for **one (1) awning(s)** for **XILIN ART ACADEMY**, adjacent to the premises known as **2356 S. Wentworth Ave.**.

Dear Alderman **Daniel S. Solis**:

The applicant referenced above has requested the use of the public right-of-way for a **awning(s)**. An ordinance has been prepared by the Department of Business Affairs and Consumer Protection – Small Business Center - Public Way Use Unit for presentation to the City Council. Because this request was made for properties located in your ward, as approved by you as per the attached, I respectfully request that you introduce the attached ordinance at the next City Council meeting.

If you have any questions regarding this ordinance, please contact Anthony Bertuca at (312) 744-5506.

**Department of Business Affairs and Consumer Protection**