



Office of the City Clerk



O2012-5200

Office of the City Clerk

City Council Document Tracking Sheet

Meeting Date:	7/25/2012
Sponsor(s):	Colón, Rey (35)
Type:	Ordinance
Title:	Awning(s) for Delgado Travel Agency, Inc.
Committee(s) Assignment:	Committee on Transportation and Public Way

ORDINANCE
Delgado Travel Agency, Inc
Acct. No. 243293 - 9
Permit No. 1093250

Be It Ordained by the City Council of the City of Chicago:

SECTION 1. Permission and authority are hereby given and granted to Delgado Travel Agency, Inc, upon the terms and subject to the conditions of this ordinance to construct, install, maintain and use one (1) Awning(s) projecting over the public right-of-way adjacent to its premises known as 2914 N. Milwaukee Ave..

Said Awning(s) at N. Milwaukee measure(s):

One (1) at nineteen (19) feet in length, and five (5) feet in width for a total of ninety-five (95) square feet.

The location of said privilege shall be as shown on prints kept on file with the Department of Business Affairs and Consumer Protection and the Office of the City Clerk.

Said privilege shall be constructed in accordance with plans and specifications approved by the Zoning Department - Signs.

This grant of privilege in the public way shall be subject to the provisions of Section 10-28-015 and all other required provisions of the Municipal Code of Chicago.

The grantee shall pay to the City of Chicago as compensation for the privilege #1093250 herein granted the sum of fifty (\$50.00) per annum in advance.

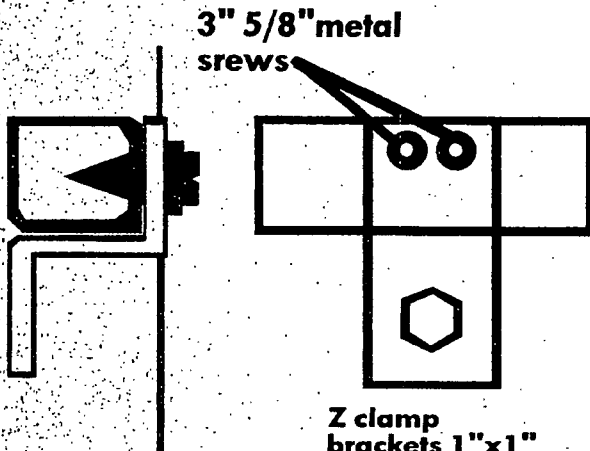
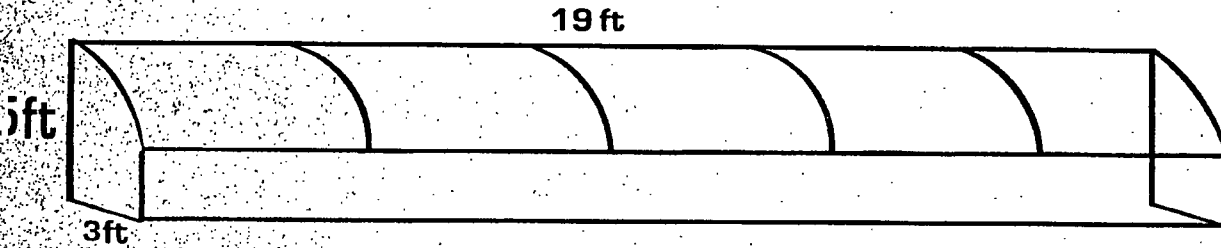
A 25% penalty will be added for payments received after due date.

The permit holder agrees to hold the City of Chicago harmless for any damage, relocation or replacement costs associated with damage, relocation or removal of private property caused by the City performing work in the public way.

Authority herein given and granted for a period of five (5) years from and after Date of Passage.

Alderman _____

Reynaldo Colon 95th Ward



Fabric on awning will be sunbrella -color red with white lettering.

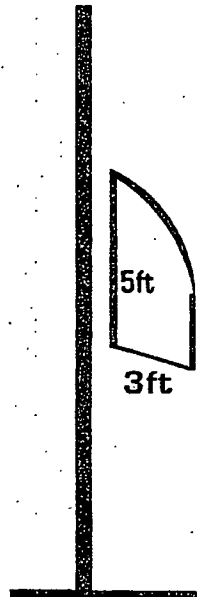
1"x1" Galvanized Steel Tubing 16GA. typ

1/2" RND. Gal. Stl Tubing on bottom every ? apart

1/2" RND. Gal. Stl Tubing on top every ? apart

Z clamp brackets 1"x1" screws 3/16 3" latches 5/18

frame to wall anchor





07/25/2012

Alderman **Reynaldo Colon**
Ward # **35**
City of Chicago
City Hall, Room **203**
121 North LaSalle Street
Chicago, Illinois 60602

Re: An ordinance to use and maintain a portion of the public right-of-way for **one (1) awning(s)** for **Delgado Travel Agency, Inc**, adjacent to the premises known as **2914 N. Milwaukee Ave.**.

Dear Alderman **Reynaldo Colon**:

The applicant referenced above has requested the use of the public right-of-way for a **awning(s)**. An ordinance has been prepared by the Department of Business Affairs and Consumer Protection – Business Assistance Center - Public Way Use Unit for presentation to the City Council. Because this request was made for properties located in your ward, as approved by you as per the attached, I respectfully request that you introduce the attached ordinance at the next City Council meeting.

If you have any questions regarding this ordinance, please contact Anthony Bertuca at (312) 744-5506.

Department of Business Affairs and Consumer Protection