



City of Chicago



O2015-2939

Office of the City Clerk

Document Tracking Sheet

Meeting Date:	4/15/2015
Sponsor(s):	Waguespack (32)
Type:	Ordinance
Title:	Grant(s) of privilege in public way for 2060 N Damen
Committee(s) Assignment:	Committee on Transportation and Public Way

ORDINANCE
2060 N. Damen
Acct. No. 397529 - 1
Permit No. 1118290

Be It Ordained by the City Council of the City of Chicago:

SECTION 1. Permission and authority are hereby given and granted to 2060 N. Damen, upon the terms and subject to the conditions of this ordinance to construct, install, maintain and use four (4) Light Fixture(s) projecting over the public right-of-way adjacent to its premises known as 2060 N. Damen Ave..

Said Light Fixture(s) at Damen measure(s):

Four (4) at one (1) foot in length, one point three three (1.33) foot in width and eight point two five (8.25) feet above grade level.

The location of said privilege shall be as shown on prints kept on file with the Department of Business Affairs and Consumer Protection and the Office of the City Clerk.

Said privilege shall be constructed in accordance with plans and specifications approved by the Department of Transportation (Division of Project Development).

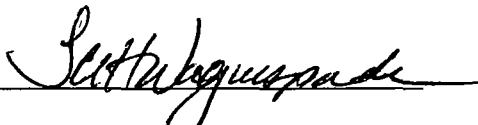
This grant of privilege in the public way shall be subject to the provisions of Section 10-28-015 and all other required provisions of the Municipal Code of Chicago.

The grantee shall pay to the City of Chicago as compensation for the privilege #1118290 herein granted the sum of ninety (\$90.00) per annum in advance.

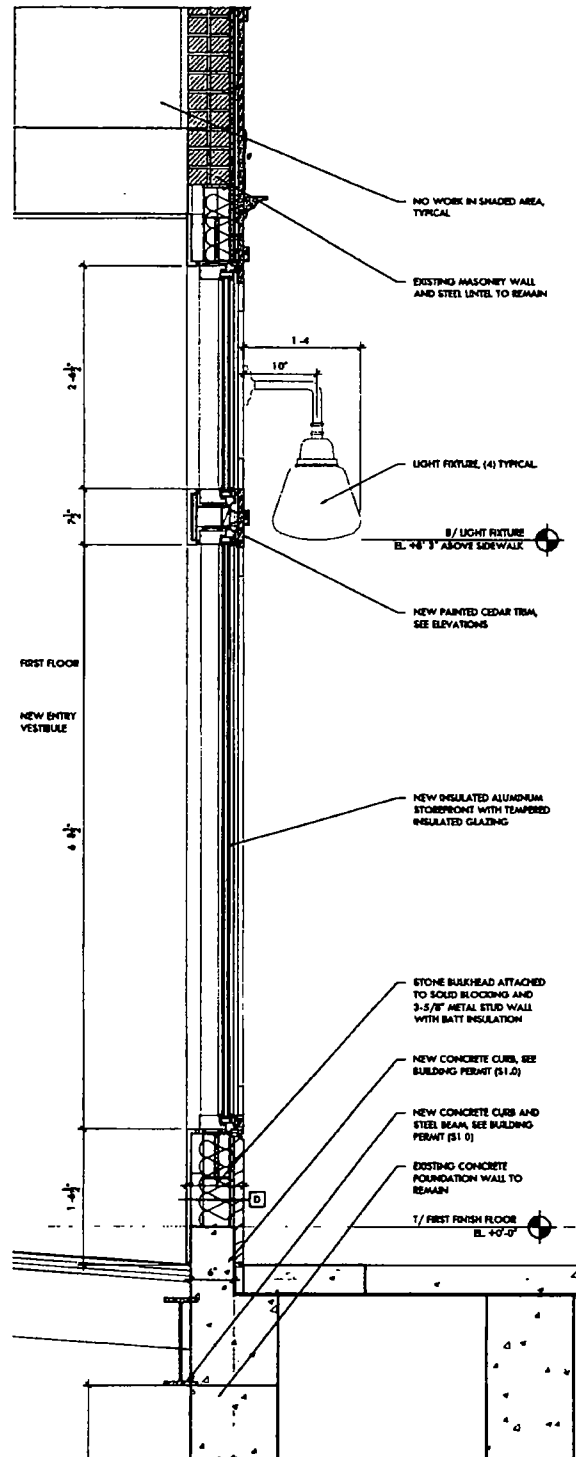
A 25% penalty will be added for payments received after due date.

The permit holder agrees to hold the City of Chicago harmless for any damage, relocation or replacement costs associated with damage, relocation or removal of private property caused by the City performing work in the public way.

Authority herein given and granted for a period of five (5) years from and after Date of Passage.

Alderman 
Scott Waguespack 32nd Ward

2060 N. DAMEN. AVE.



A5- STOREFRONT SECTION

SCALE: 1/2" = 1'-0"



04/15/2015

Alderman **Scott Waguespack**
Ward # 32
City of Chicago
City Hall, Room 300
121 North LaSalle Street
Chicago, Illinois 60602

Re: An ordinance to use and maintain a portion of the public right-of-way for **four (4) light fixture(s)** for **2060 N. Damen**, adjacent to the premises known as **2060 N. Damen Ave.**.

Dear Alderman **Scott Waguespack**:

The applicant referenced above has requested the use of the public right-of-way for a **light fixture(s)**. An ordinance has been prepared by the Department of Business Affairs and Consumer Protection – Small Business Center - Public Way Use Unit for presentation to the City Council. Because this request was made for properties located in your ward, as approved by you as per the attached, I respectfully request that you introduce the attached ordinance at the next City Council meeting.

If you have any questions regarding this ordinance, please contact Anthony Bertuca at (312) 744-5506.

Department of Business Affairs and Consumer Protection