



City of Chicago



O2017-342

Office of the City Clerk

Document Tracking Sheet

Meeting Date:	1/25/2017
Sponsor(s):	Hairston (5)
Type:	Ordinance
Title:	Grant(s) of privilege in public way for Jojayden Handmade
Committee(s) Assignment:	Committee on Transportation and Public Way

ORDINANCE
JOJAYDEN HANDMADE
Acct. No. 411546 - 1
Permit No. 1125338

Be It Ordained by the City Council of the City of Chicago:

SECTION 1. Permission and authority are hereby given and granted to JOJAYDEN HANDMADE, upon the terms and subject to the conditions of this ordinance to maintain and use two (2) sign(s) projecting over the public right-of-way attached to its premises known as 1457 E. 53rd St..

Said sign structure(s) measures as follows; along E. 53rd Street:

One (1) at nine (9) feet in length, two point five (2.5) feet in height and nine (9) feet above grade level.

Said sign structure(s) measures as follows; along E. 53rd Street:

One (1) at two point seven five (2.75) feet in length, one point five (1.5) feet in height and nine (9) feet above grade level.

The location of said privilege shall be as shown on prints kept on file with the Department of Business Affairs and Consumer Protection and the Office of the City Clerk.

Said privilege shall be constructed in accordance with plans and specifications approved by the Department of Transportation (Division of Project Development) and Zoning Department - Signs.

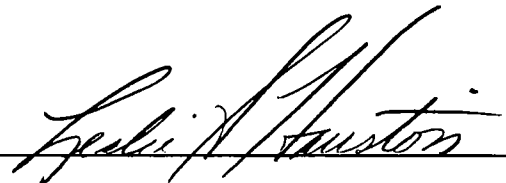
This grant of privilege in the public way shall be subject to the provisions of Section 10-28-015 and all other required provisions of the Municipal Code of Chicago.

The grantee shall pay to the City of Chicago as compensation for the privilege #1125338 herein granted the sum of one hundred seventy-five (\$175.00) per annum in advance.

A 25% penalty will be added for payments received after due date.

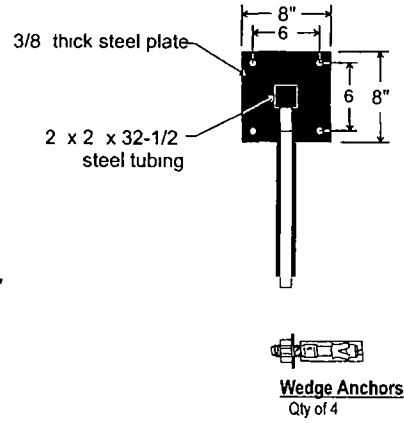
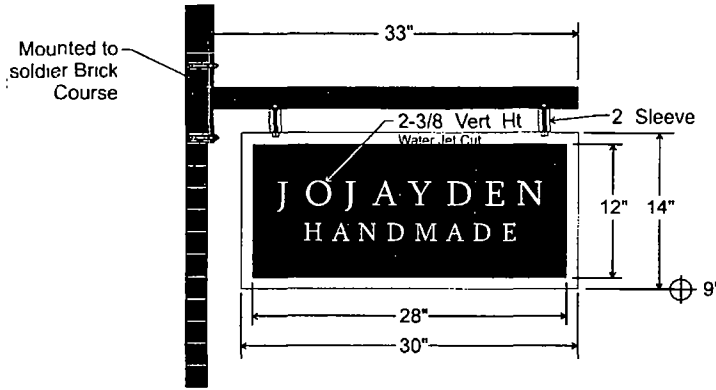
The permit holder agrees to hold the City of Chicago harmless for any damage, relocation or replacement costs associated with damage, relocation or removal of private property caused by the City performing work in the public way.

Authority herein given and granted for a period of five (5) years from and after Date of Passage.

Alderman 

Leslie A. Hairston 5th Ward

Face 3 SQFT
Sign Elements 1 SQFT



Double Face Non Illuminated Blade Sign

- Scale 1" = 8"
- 1 deep fabricated sign - 090 faces
 - 3/8" thick plate aluminum with horizontal finish applied via Lord Adhesive to 1 deep fabricated sign
 - Tenant logos water jet cut
 - (4) 1/2" x 3" wedge anchors

Paint Colors

Std White

Std Black

934 N Church
Elmhurst IL 60126

tel 630 333 4800
fax 630 333 4915

CLIENT The University of Chicago
CLIENT ADDRESS 1457 E 83rd Street Chicago, IL 60615
CLIENT PHONE 7018631

PROJECT NAME Jojayden
DATE 7 5 2016
DRAWN BY J

SCALE 1" = 8"
DATE 7 14 2016

PROJECT NUMBER 7018631

THIS DRAWING IS THE PROPERTY OF SOUTH WATER SIGNS, LLC. ALL RIGHTS OF REPRODUCTION ARE RESERVED BY SOUTH WATER SIGNS, INC.



01/25/2017

Alderman Leslie A. Hairston
Ward # 05
City of Chicago
City Hall, Room 300
121 North LaSalle Street
Chicago, Illinois 60602

Re: An ordinance to use and maintain a portion of the public right-of-way for **two (2) sign(s)** for **JOJAYDEN HANDMADE**, adjacent to the premises known as **1457 E. 53rd St.**

Dear Alderman **Leslie A. Hairston**:

The applicant referenced above has requested the use of the public right-of-way for a **sign(s)**. An ordinance has been prepared by the Department of Business Affairs and Consumer Protection – Small Business Center - Public Way Use Unit for presentation to the City Council. Because this request was made for properties located in your ward, as approved by you as per the attached, I respectfully request that you introduce the attached ordinance at the next City Council meeting.

If you have any questions regarding this ordinance, please contact Anthony Bertuca at (312) 744-5506.

Department of Business Affairs and Consumer Protection