



City of Chicago



O2014-1920

Office of the City Clerk

Document Tracking Sheet

Meeting Date:	3/5/2014
Sponsor(s):	Mitts (37)
Type:	Ordinance
Title:	Grant(s) of privilege in public way for Burger King
Committee(s) Assignment:	Committee on Transportation and Public Way

ORDINANCE
BURGER KING #
Acct. No. 7612 - 3
Permit No. 1110601

BURGER KING #
Acct. No. 7612 - 3
Permit No. 1110601

Be It Ordained by the City Council of the City of Chicago:

SECTION 1. Permission and authority are hereby given and granted to BURGER KING #, upon the terms and subject to the conditions of this ordinance to maintain and use two (2) sign(s) projecting over the public right-of-way attached to its premises known as 4910 W. North Ave.:

Said sign structure(s) measures as follows; along W. North Ave.:

One (1) at ten (10) feet in length, ten (10) feet in height and thirteen point five eight (13.58) feet above grade level.

One (1) at eight (8) feet in length, four point five (4.5) feet in height and eight point five eight (8.58) feet above grade level.

The location of said privilege shall be as shown on prints kept on file with the Department of Business Affairs and Consumer Protection and the Office of the City Clerk.

Said privilege shall be constructed in accordance with plans and specifications approved by the Department of Transportation (Division of Project Development) and Zoning Department - Signs.

This grant of privilege in the public way shall be subject to the provisions of Section 10-28-015 and all other required provisions of the Municipal Code of Chicago.

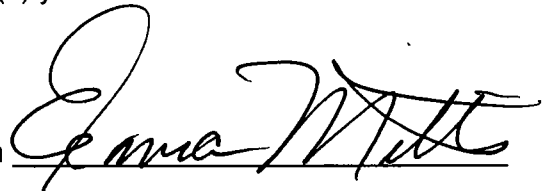
The grantee shall pay to the City of Chicago as compensation for the privilege #1110601 herein granted the sum of six hundred (\$600.00) per annum in advance.

A 25% penalty will be added for payments received after due date.

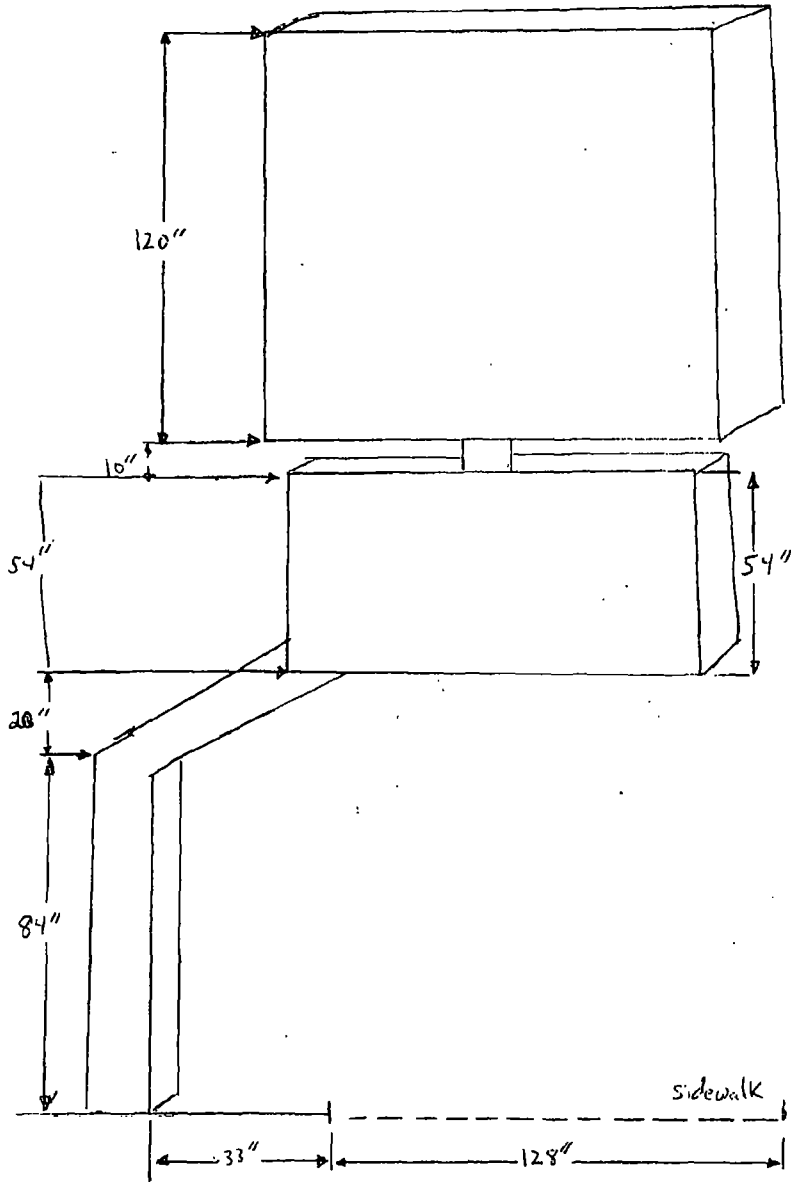
The permit holder agrees to hold the City of Chicago harmless for any damage, relocation or replacement costs associated with damage, relocation or removal of private property caused by the City performing work in the public way.

Authority herein given and granted for a period of five (5) years from and after 11/05/2013.

Alderman



Emma Mitts 37th Ward





Department of Business Affairs and Consumer Protection

Small Business Center - Public Way Use Unit

City Hall - 121 N. LaSalle Street, Room 800 • Chicago, IL 60602

(312)-74-GOBIZ (312-744-6249) • (312) 744-1944 (TTY)

<http://www.cityofchicago.org/bacp>

03/05/2014

Alderman **Emma Mitts**

Ward # **37**

City of Chicago

City Hall, Room **300**

121 North LaSalle Street

Chicago, Illinois 60602

Re: An ordinance to use and maintain a portion of the public right-of-way for **two (2) sign(s)** for **BURGER KING #**, adjacent to the premises known as **4910 W. North Ave.**.

Dear Alderman **Emma Mitts**:

The applicant referenced above has requested the use of the public right-of-way for a **sign(s)**. An ordinance has been prepared by the Department of Business Affairs and Consumer Protection – Small Business Center - Public Way Use Unit for presentation to the City Council. Because this request was made for properties located in your ward, as approved by you as per the attached, I respectfully request that you introduce the attached ordinance at the next City Council meeting.

If you have any questions regarding this ordinance, please contact Anthony Bertuca at (312) 744-5506.

Department of Business Affairs and Consumer Protection