



City of Chicago



O2014-1270

Office of the City Clerk

Document Tracking Sheet

Meeting Date:	2/5/2014
Sponsor(s):	Tunney (44)
Type:	Ordinance
Title:	Grant(s) of privilege in public way for Lakeview Chamber of Commerce
Committee(s) Assignment:	Committee on Transportation and Public Way

ORDINANCE

Lakeview Chamber of Commerce

Acct. No. 270704 - 47

Permit No. 1110386

Be It Ordained by the City Council of the City of Chicago:

SECTION 1. Permission and authority are hereby given and granted to Lakeview Chamber of Commerce, upon the terms and subject to the conditions of this ordinance to construct, install, maintain and use one (1) Trash container(s) on the public right-of-way adjacent to its premises known as 3400 N. Southport Ave..

Said Trash container(s) at N. Southport measure(s):

One (1) at four point three three (4.33) feet in length, and two point three one (2.31) feet in width for a total of ten (10) square feet.

The location of said privilege shall be as shown on prints kept on file with the Department of Business Affairs and Consumer Protection and the Office of the City Clerk.

Said privilege shall be constructed in accordance with plans and specifications approved by the Department of Transportation (Division of Project Development).

This grant of privilege in the public way shall be subject to the provisions of Section 10-28-015 and all other required provisions of the Municipal Code of Chicago.

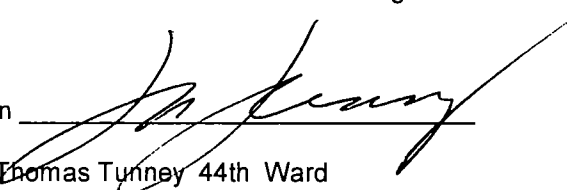
The grantee shall pay to the City of Chicago as compensation for the privilege #1110386 herein granted the sum of seventy-five (\$75.00) per annum in advance.

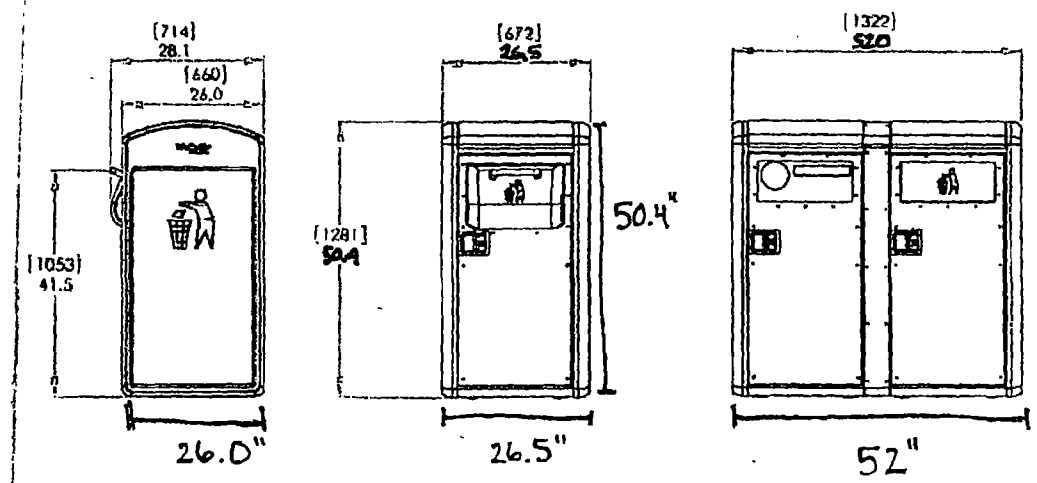
A 25% penalty will be added for payments received after due date.

The permit holder agrees to hold the City of Chicago harmless for any damage, relocation or replacement costs associated with damage, relocation or removal of private property caused by the City performing work in the public way.

Authority herein given and granted for a period of five (5) years from and after Date of Passage.

Alderman _____


Thomas Tunney 44th Ward



Lakeview Chamber of Commerce
1409 W. Addison
Chicago IL 60613



02/05/2014

Alderman **Thomas Tunney**
Ward # **44**
City of Chicago
City Hall, Room **203**
121 North LaSalle Street
Chicago, Illinois 60602

Re: An ordinance to use and maintain a portion of the public right-of-way for **one (1) trash container(s)** for **Lakeview Chamber of Commerce**, adjacent to the premises known as **3400 N. Southport Ave..**

Dear Alderman **Thomas Tunney**:

The applicant referenced above has requested the use of the public right-of-way for a **trash container(s)**. An ordinance has been prepared by the Department of Business Affairs and Consumer Protection – Small Business Center - Public Way Use Unit for presentation to the City Council. Because this request was made for properties located in your ward, as approved by you as per the attached, I respectfully request that you introduce the attached ordinance at the next City Council meeting.

If you have any questions regarding this ordinance, please contact Anthony Bertuca at (312) 744-5506.

Department of Business Affairs and Consumer Protection