



# Office of the City Clerk



O2013-3171

Office of the City Clerk

## City Council Document Tracking Sheet

<b>Meeting Date:</b>	4/10/2013
<b>Sponsor(s):</b>	Smith, Michele (43)
<b>Type:</b>	Ordinance
<b>Title:</b>	Grant(s) of privilege in public way for Yogurtland Lincoln Park
<b>Committee(s) Assignment:</b>	Committee on Transportation and Public Way

ORDINANCE  
YOGURTLAND LINCOLN PARK  
Acct. No. 378856 - 1  
Permit No. 1104798

*Be It Ordained by the City Council of the City of Chicago:*

SECTION 1. Permission and authority are hereby given and granted to YOGURTLAND LINCOLN PARK, upon the terms and subject to the conditions of this ordinance to maintain and use one (1) sign(s) projecting over the public right-of-way attached to its premises known as 2468 N. Clark St..

Said sign structure(s) measures as follows; along N. Clark:  
One (1) at ten point seven seven (10.77) feet in length, two point six (2.6) feet in height and fourteen (14) feet above grade level.

The location of said privilege shall be as shown on prints kept on file with the Department of Business Affairs and Consumer Protection and the Office of the City Clerk.

Said privilege shall be constructed in accordance with plans and specifications approved by the Department of Transportation (Division of Project Development) and Zoning Department - Signs.

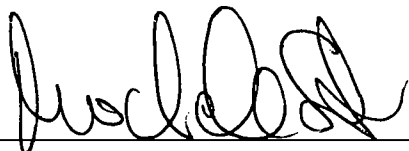
This grant of privilege in the public way shall be subject to the provisions of Section 10-28-015 and all other required provisions of the Municipal Code of Chicago.

The grantee shall pay to the City of Chicago as compensation for the privilege #1104798 herein granted the sum of three hundred (\$300.00) per annum in advance.

A 25% penalty will be added for payments received after due date.

The permit holder agrees to hold the City of Chicago harmless for any damage, relocation or replacement costs associated with damage, relocation or removal of private property caused by the City performing work in the public way.

Authority herein given and granted for a period of five (5) years from and after Date of Passage.

Alderman  \_\_\_\_\_

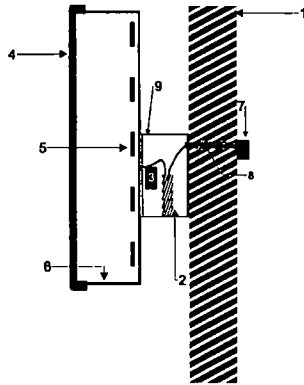
Michele Smith 43<sup>rd</sup> Ward

## General Specifications



### LED Raceway Mounting & SIDE VIEW

1. Building facade / sign band
2. LED power supply
3. Emergency turn off switch
4. 3/16" Acrylic face
5. LED light
6. 0.040 aluminum return
7. Power supply
8. Conduit
9. Alluminum raceway



Sign Type	Raceway channel letters		
Illumination Type	Color	LED	White
Face material	Gauge	Plexiglass	3/16"
	Color		White
Graphic	Color	N/A	
Retainer type	Size/Color	Trim-cap	1"/A
Return depth	Gauge/Color	5" .040	Aluminum /
Back material	Gauge	Aluminum	.060
Raceway material	Gauge	Aluminum	.060
	Size/Color	6"x8"x11 "	PMS 228C
Tube support	Type/Ht.	N/A	
Transformer	Type/mA	LED transmitter	30mA
Retainer screw	#4 x 0.5" lg Hex hd		
Neon electrical	Wire size	Remote wiring 600V 16AWG	
	Wire type	UL LED cable	
Boot insulated / Sleeve	None		
Electrical connectors	1/2" Greenfield		

Sign will be fastened directly to facade no exposed wiring

**EXPRESS SIGN**  
 & Graphics Inc  
 Whole Sale & Retail Interior / Exterior Signage  
 www.expresssign.net  
 1-888-263-6639  
 5026 N. Broadway, Chicago, IL 60640

CUSTOMER: Yogurtland  
 LOCATION: 2468B N Clark St  
 Chicago, IL  
 Design By: CN  
 Date: 02/07/2013

Customer approval signature \_\_\_\_\_ Date \_\_\_\_\_ / / 2013

by Express Sign  
 Proprietary and Confidential

This design is the original and unpublished work of Express Sign & Graphics, Inc. and may not be reproduced, copied or published in any fashion without the expressed writing from an authorized personnel of the company. The rights to this design may be purchased

Special Note:

**This Sign Is Manufactured By  
 NITE-LITE SIGNS**

Landlord approval signature \_\_\_\_\_ Date \_\_\_\_\_ / / 2013