



Office of the Chicago City
Clerk



O2011-6754

Office of the City Clerk

City Council Document Tracking Sheet

Meeting Date:	7/28/2011
Sponsor(s):	Smith, Michele (43)
Type:	Ordinance
Title:	Grant(s) of Privilege in Public Way for Vapiano
Committee(s) Assignment:	Committee on Transportation and Public Way



CITY COUNCIL

CITY OF CHICAGO

COUNCIL CHAMBER
CITY HALL--SECOND FLOOR
121 NORTH LASALLE STREET
CHICAGO, ILLINOIS 60602
TELEPHONE 312-744-4096
FAX: 312-744-8155

COMMITTEE MEMBERSHIPS

TRANSPORTATION & PUBLIC WAY
(CHAIRMAN)

BUDGET AND GOVERNMENT OPERATIONS

ENERGY, ENVIRONMENTAL PROTECTION
& PUBLIC UTILITIES

EDUCATION AND CHILD DEVELOPMENT

FINANCE

POLICE AND FIRE

RULES AND ETHICS

ANTHONY A. BEALE

ALDERMAN, 9TH WARD
34 EAST 112TH PLACE
CHICAGO, ILLINOIS 60628
TELEPHONE (773) 785-1100
FAX (773) 785-2790

E-MAIL: WARD09@CITYOFCHICAGO.ORG

September 6, 2011

To the President and Members of the City Council:

Your Committee on Transportation and Public Way begs leave to report and recommend that Your Honorable Body pass the proposed ordinance transmitted herewith for a grant of privilege in the public way to VAPIANO - 02011-6754 to maintain and use one (1) sign over the public right-of-way adjacent to its premises known as 2577 North Clark Street. This ordinance was referred to the Committee on July 28, 2011.

This recommendation was concurred unanimously by a viva voce vote of the members of the Committee with no dissenting vote.

(Ward 43)

Respectfully submitted,


Anthony Beale,
Chairman



ORDINANCE
VAPIANO
Acct. No. 360323 - 2
Permit No. 1097139

Be It Ordained by the City Council of the City of Chicago:

SECTION 1. Permission and authority are hereby given and granted to VAPIANO, upon the terms and subject to the conditions of this ordinance to maintain and use one (1) sign(s) projecting over the public right-of-way attached to its premises known as 2577 N. Clark St..

Said sign structure(s) measures as follows; along N. Clark:
One (1) at twenty-two point nine two (22.92) feet in length, four point two five (4.25) feet in height and fourteen (14) feet above grade level.

The location of said privilege shall be as shown on prints kept on file with the Department of Business Affairs and Consumer Protection and the Office of the City Clerk.

Said privilege shall be constructed in accordance with plans and specifications approved by the Department of Transportation (Division of Project Development) and Zoning Department - Signs.

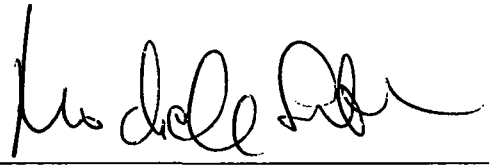
This grant of privilege in the public way shall be subject to the provisions of Section 10-28-015 and all other required provisions of the Municipal Code of Chicago.

The grantee shall pay to the City of Chicago as compensation for the privilege #1097139 herein granted the sum of three hundred (\$300.00) per annum in advance.

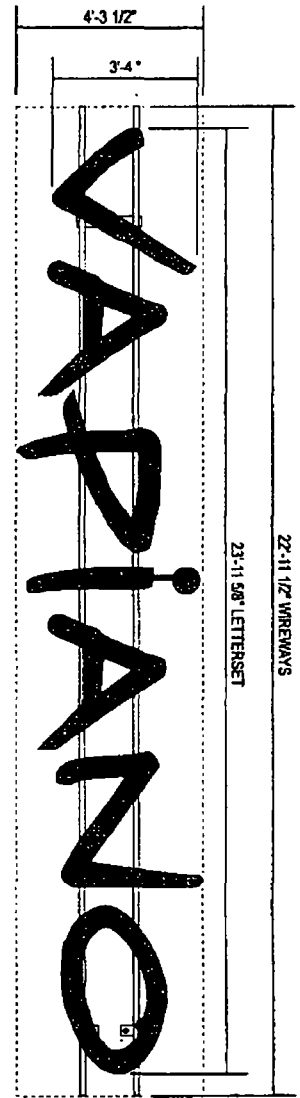
A 25% penalty will be added for payments received after due date.

The permit holder agrees to hold the City of Chicago harmless for any damage, relocation or replacement costs associated with damage, relocation or removal of private property caused by the City performing work in the public way.

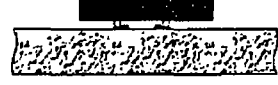
Authority herein given and granted for a period of five (5) years from and after Date of Passage.

Alderman 

Michele Smith 43rd Ward



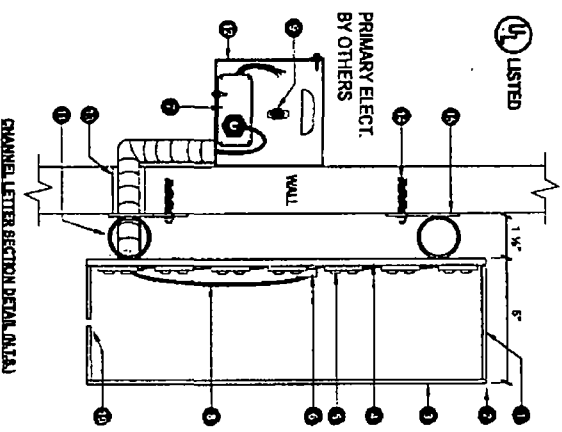
22-11 1/2" WIREWAYS
23-11 5/8" LETTERSET
1 1/2" STAINLESS STEEL
ROUND TUBE (SS 304 .065" WALL)
W/ CAPPED ENDS



SIDE VIEW

A INITIAL REMOTE WIRED LED LIT CHANNEL LETTERS MOUNTED TO WIREWAYS - 98.5 SQ. FEET (INDICATED BY DASHED RED LINE)
SCALE: 3/8" = 1'-0"

- REMOTE WIRED LED CHANNEL LETTERS**
- #2793 RED FLEX RETURNS
 - BOND POINT FOR RETURNS AND FACES
 - #2793 RED FLEX FACES
 - 3/8" WHITE POLYCARBONATE BACK W/ BLOCK-OUT FILM
 - RED LED
 - SPACE CONNECTOR
 - POWER SUPPLY
 - 18 GA CABLE
 - DISCONNECT SWITCH (TOGGLE SWITCH W/ BOOT) @ SIDE OF HOUSING BOX
 - 1/4" DIA. WEEP HOLE
 - 1 1/2" STAINLESS STEEL ROUND TUBE W/ CAPPED ENDS (RUN ELECTRICAL WIRING THROUGH TUBES)
 - POWER SUPPLY HOUSING BOX
 - 1/2" SEALTITE FLEX CONDUIT & CONNECTOR W/ A 6'-0" WHIP LENGTH (CUT IN FIELD AFTER LETTERS ARE INSTALLED) FOR FIELD CONNECTION
 - 3/8" STAINLESS STEEL FASTENERS AS REQUIRED
 - 1/4" STAINLESS STEEL FLATBAR



CHANNEL LETTER SECTION DETAIL (N.T.A.)

WALTON
SIGNAGE
1100 N. WILSON ST.
CHICAGO, IL 60642
TEL: 312-333-0444
© 1993 WALTON SIGN SYSTEMS

Client: **WOLAND**
Address: **5577 NORTH CLARK ST.**
Location: **CHICAGO, IL 60654**
Sales: **JO** Designer: **AJ**
Date: **01/28/11** Proj: **1100**

This is an original drawing created by Walton. It is intended for your personal use. However, it shall not be reproduced, stored in a retrieval system, or transmitted in any form or by any means, electronic, mechanical, photocopying, recording, or by any information storage and retrieval system, without the prior written permission of Walton. It may be used for other projects only if you have obtained the prior written permission of Walton. Any other use without the prior written permission of Walton is prohibited. This drawing is the property of Walton and shall remain the property of Walton. All rights reserved.

Revision:
1. INITIAL REVISIONS FOR SIZE OF SIGNAGE - AJ
2. REVISIONS FOR MATERIALS - AJ
3. REVISIONS FOR ELECTRICAL WIRING - AJ
4. REVISIONS FOR FINISHES - AJ
5. REVISIONS FOR MOUNTING - AJ
6. REVISIONS FOR LETTERS - AJ
7. REVISIONS FOR LETTERS - AJ
8. REVISIONS FOR LETTERS - AJ
9. REVISIONS FOR LETTERS - AJ
10. REVISIONS FOR LETTERS - AJ
11. REVISIONS FOR LETTERS - AJ
12. REVISIONS FOR LETTERS - AJ
13. REVISIONS FOR LETTERS - AJ
14. REVISIONS FOR LETTERS - AJ
15. REVISIONS FOR LETTERS - AJ
16. REVISIONS FOR LETTERS - AJ
17. REVISIONS FOR LETTERS - AJ
18. REVISIONS FOR LETTERS - AJ
19. REVISIONS FOR LETTERS - AJ
20. REVISIONS FOR LETTERS - AJ
21. REVISIONS FOR LETTERS - AJ
22. REVISIONS FOR LETTERS - AJ
23. REVISIONS FOR LETTERS - AJ
24. REVISIONS FOR LETTERS - AJ
25. REVISIONS FOR LETTERS - AJ
26. REVISIONS FOR LETTERS - AJ
27. REVISIONS FOR LETTERS - AJ
28. REVISIONS FOR LETTERS - AJ
29. REVISIONS FOR LETTERS - AJ
30. REVISIONS FOR LETTERS - AJ
31. REVISIONS FOR LETTERS - AJ
32. REVISIONS FOR LETTERS - AJ
33. REVISIONS FOR LETTERS - AJ
34. REVISIONS FOR LETTERS - AJ
35. REVISIONS FOR LETTERS - AJ
36. REVISIONS FOR LETTERS - AJ
37. REVISIONS FOR LETTERS - AJ
38. REVISIONS FOR LETTERS - AJ
39. REVISIONS FOR LETTERS - AJ
40. REVISIONS FOR LETTERS - AJ
41. REVISIONS FOR LETTERS - AJ
42. REVISIONS FOR LETTERS - AJ
43. REVISIONS FOR LETTERS - AJ
44. REVISIONS FOR LETTERS - AJ
45. REVISIONS FOR LETTERS - AJ
46. REVISIONS FOR LETTERS - AJ
47. REVISIONS FOR LETTERS - AJ
48. REVISIONS FOR LETTERS - AJ
49. REVISIONS FOR LETTERS - AJ
50. REVISIONS FOR LETTERS - AJ
51. REVISIONS FOR LETTERS - AJ
52. REVISIONS FOR LETTERS - AJ
53. REVISIONS FOR LETTERS - AJ
54. REVISIONS FOR LETTERS - AJ
55. REVISIONS FOR LETTERS - AJ
56. REVISIONS FOR LETTERS - AJ
57. REVISIONS FOR LETTERS - AJ
58. REVISIONS FOR LETTERS - AJ
59. REVISIONS FOR LETTERS - AJ
60. REVISIONS FOR LETTERS - AJ
61. REVISIONS FOR LETTERS - AJ
62. REVISIONS FOR LETTERS - AJ
63. REVISIONS FOR LETTERS - AJ
64. REVISIONS FOR LETTERS - AJ
65. REVISIONS FOR LETTERS - AJ
66. REVISIONS FOR LETTERS - AJ
67. REVISIONS FOR LETTERS - AJ
68. REVISIONS FOR LETTERS - AJ
69. REVISIONS FOR LETTERS - AJ
70. REVISIONS FOR LETTERS - AJ
71. REVISIONS FOR LETTERS - AJ
72. REVISIONS FOR LETTERS - AJ
73. REVISIONS FOR LETTERS - AJ
74. REVISIONS FOR LETTERS - AJ
75. REVISIONS FOR LETTERS - AJ
76. REVISIONS FOR LETTERS - AJ
77. REVISIONS FOR LETTERS - AJ
78. REVISIONS FOR LETTERS - AJ
79. REVISIONS FOR LETTERS - AJ
80. REVISIONS FOR LETTERS - AJ
81. REVISIONS FOR LETTERS - AJ
82. REVISIONS FOR LETTERS - AJ
83. REVISIONS FOR LETTERS - AJ
84. REVISIONS FOR LETTERS - AJ
85. REVISIONS FOR LETTERS - AJ
86. REVISIONS FOR LETTERS - AJ
87. REVISIONS FOR LETTERS - AJ
88. REVISIONS FOR LETTERS - AJ
89. REVISIONS FOR LETTERS - AJ
90. REVISIONS FOR LETTERS - AJ
91. REVISIONS FOR LETTERS - AJ
92. REVISIONS FOR LETTERS - AJ
93. REVISIONS FOR LETTERS - AJ
94. REVISIONS FOR LETTERS - AJ
95. REVISIONS FOR LETTERS - AJ
96. REVISIONS FOR LETTERS - AJ
97. REVISIONS FOR LETTERS - AJ
98. REVISIONS FOR LETTERS - AJ
99. REVISIONS FOR LETTERS - AJ
100. REVISIONS FOR LETTERS - AJ

Buyer: _____ Date: _____ Production: _____ Date: _____
The sign is to be installed in accordance with the requirements of the National Electrical Code and the applicable local code. The installer must provide and install the sign.

121493
Sheet: 2 of 1



121493 **ASM**