



# City of Chicago



O2017-2846

Office of the City Clerk

## Document Tracking Sheet

<b>Meeting Date:</b>	3/29/2017
<b>Sponsor(s):</b>	Reboyras (30)
<b>Type:</b>	Ordinance
<b>Title:</b>	Grant(s) of privilege in public way for Tony's Fresh Market
<b>Committee(s) Assignment:</b>	Committee on Transportation and Public Way

ORDINANCE  
TONY'S FRESH MARKET  
Acct. No. 305203 - 6  
Permit No. 1124823

*Be It Ordained by the City Council of the City of Chicago:*

SECTION 1. Permission and authority are hereby given and granted to TONY'S FRESH MARKET, upon the terms and subject to the conditions of this ordinance to maintain and use two (2) sign(s) projecting over the public right-of-way attached to its premises known as 5630 W. Belmont Ave..

Said sign structure(s) measures as follows; along W BELMONT:

One (1) at ten point seven five (10.75) feet in length, four point one seven (4.17) feet in height and eight (8) feet above grade level.

One (1) at six (6) feet in length, fifteen point five eight (15.58) feet in height and sixteen (16) feet above grade level.

The location of said privilege shall be as shown on prints kept on file with the Department of Business Affairs and Consumer Protection and the Office of the City Clerk.

Said privilege shall be constructed in accordance with plans and specifications approved by the Department of Transportation (Division of Project Development) and Zoning Department - Signs.

This grant of privilege in the public way shall be subject to the provisions of Section 10-28-015 and all other required provisions of the Municipal Code of Chicago.

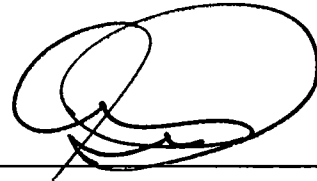
The grantee shall pay to the City of Chicago as compensation for the privilege #1124823 herein granted the sum of six hundred (\$600.00) per annum in advance.

A 25% penalty will be added for payments received after due date.

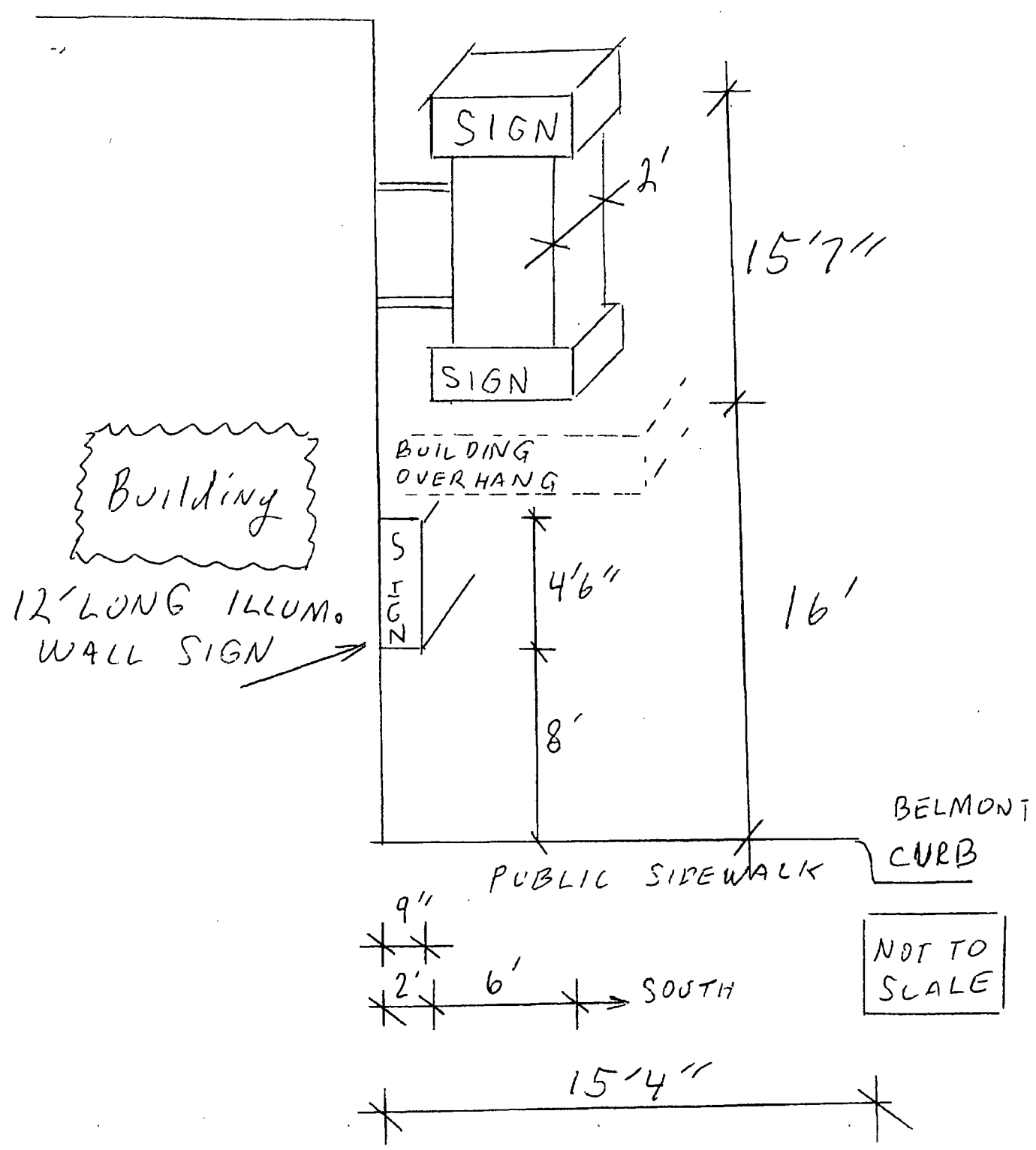
The permit holder agrees to hold the City of Chicago harmless for any damage, relocation or replacement costs associated with damage, relocation or removal of private property caused by the City performing work in the public way.

Authority herein given and granted for a period of five (5) years from and after Date of Passage.

Alderman \_\_\_\_\_



Ariel Reboyras 30<sup>th</sup> Ward



TONY'S FRESH MARKET  
 5630 W BELMONT  
 CHICAGO

9-17-2016

CHUCK ZENN  
 OLYMPIC SIGNS  
 LOMBARD IL  
 630 424-6100



**Department of Business Affairs and Consumer Protection**  
Small Business Center - Public Way Use Unit  
City Hall - 121 N LaSalle Street, Room 800 • Chicago, IL 60602  
312-74-GOBIZ / 312-744-6249 • (312) 744-1944 (TTY)  
<http://www.cityofchicago.org/bacp>

**03/29/2017**

**Alderman Ariel Reboyras**  
Ward # 30  
City of Chicago  
City Hall, Room 300  
121 North LaSalle Street  
Chicago, Illinois 60602

Re: An ordinance to use and maintain a portion of the public right-of-way for **two (2) sign(s)** for **TONY'S FRESH MARKET**, adjacent to the premises known as **5630 W. Belmont Ave.**.

Dear Alderman **Ariel Reboyras**:

The applicant referenced above has requested the use of the public right-of-way for a **sign(s)**. An ordinance has been prepared by the Department of Business Affairs and Consumer Protection – Small Business Center - Public Way Use Unit for presentation to the City Council. Because this request was made for properties located in your ward, as approved by you as per the attached, I respectfully request that you introduce the attached ordinance at the next City Council meeting.

If you have any questions regarding this ordinance, please contact Anthony Bertuca at (312) 744-5506.

**Department of Business Affairs and Consumer Protection**