



# City of Chicago



O2016-3088

Office of the City Clerk

## Document Tracking Sheet

<b>Meeting Date:</b>	4/13/2016
<b>Sponsor(s):</b>	Solis (25)
<b>Type:</b>	Ordinance
<b>Title:</b>	Grant(s) of privilege in public way for Monteverde
<b>Committee(s) Assignment:</b>	Committee on Transportation and Public Way

ORDINANCE  
MONTEVERDE  
Acct. No. 392794 - 1  
Permit No. 1122581

*Be It Ordained by the City Council of the City of Chicago:*

SECTION 1. Permission and authority are hereby given and granted to MONTEVERDE, upon the terms and subject to the conditions of this ordinance to maintain and use, as now constructed, one (1) Wind Screen(s) on the public right-of-way adjacent to its premises known as 1020 W. Madison St..

Said Wind Screen(s) at W. Madison Street measure(s):

One (1) at nine point seven five (9.75) feet in length, and five (5) feet in width for a total of forty-eight point seven five (48.75) square feet.

The location of said privilege shall be as shown on prints kept on file with the Department of Business Affairs and Consumer Protection and the Office of the City Clerk.

Said privilege shall be constructed in accordance with plans and specifications approved by the Department of Transportation (Division of Project Development).

This grant of privilege in the public way shall be subject to the provisions of Section 10-28-015 and all other required provisions of the Municipal Code of Chicago.

The grantee shall pay to the City of Chicago as compensation for the privilege #1122581 herein granted the sum of four hundred (\$400.00) per annum in advance.

A 25% penalty will be added for payments received after due date.

The permit holder agrees to hold the City of Chicago harmless for any damage, relocation or replacement costs associated with damage, relocation or removal of private property caused by the City performing work in the public way.

Authority herein given and granted for a period of five (5) years from and after Date of Passage.

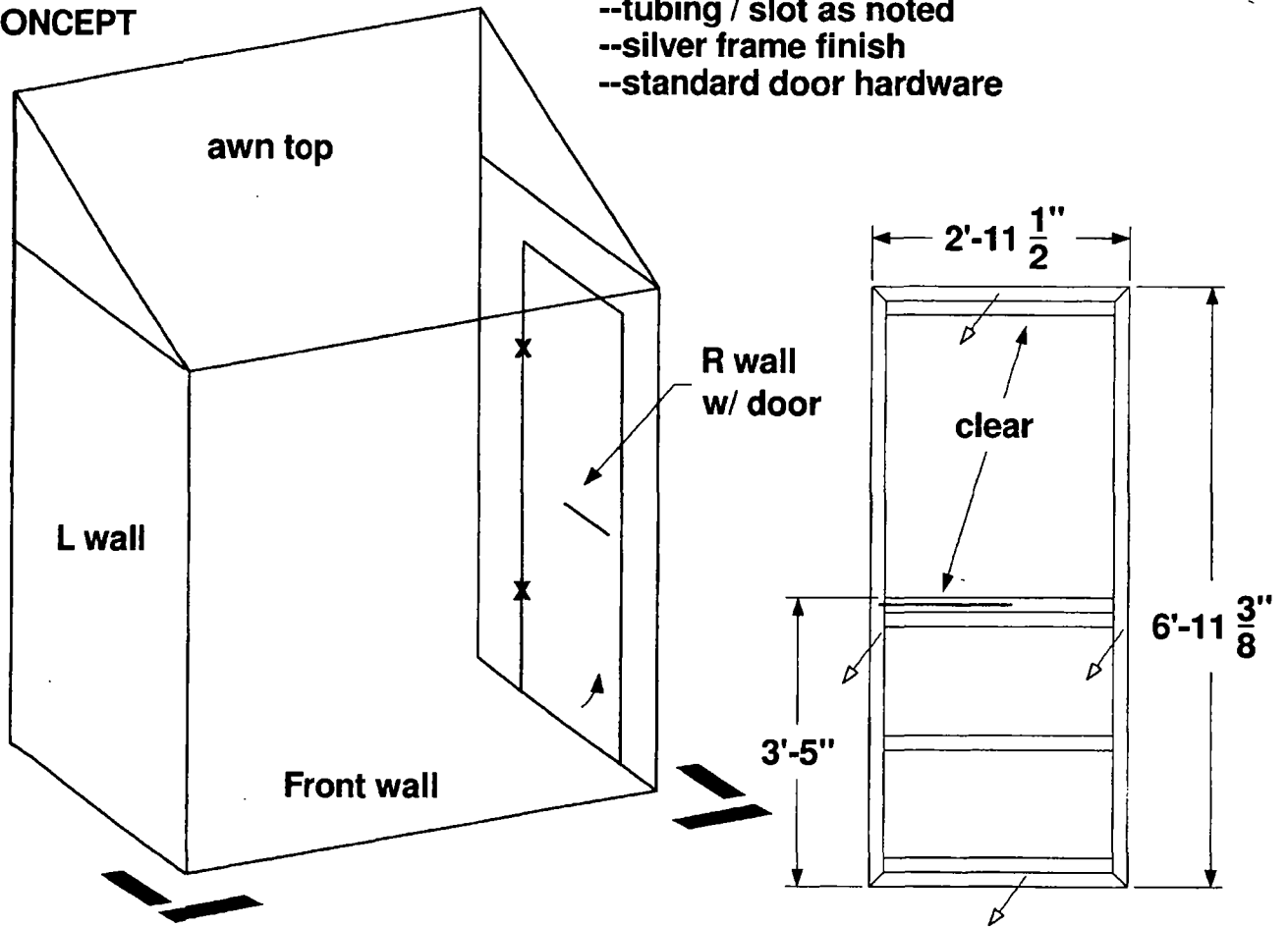
Alderman

  
\_\_\_\_\_  
Daniel S. Solis 25th Ward



Job # 725326  
Monteverde  
CONCEPT

- Notes:
- alum staple frames (4 pcs + door)
  - tubing / slot as noted
  - silver frame finish
  - standard door hardware





**04/13/2016**

Alderman **Daniel S. Solis**  
Ward # **25**  
City of Chicago  
City Hall, Room **304**  
121 North LaSalle Street  
Chicago, Illinois 60602

Re: An ordinance to use and maintain a portion of the public right-of-way for **one (1) wind screen(s)** for **MONTEVERDE**, adjacent to the premises known as **1020 W. Madison St.**

Dear Alderman **Daniel S. Solis**:

The applicant referenced above has requested the use of the public right-of-way for a **wind screen(s)**. An ordinance has been prepared by the Department of Business Affairs and Consumer Protection – Small Business Center - Public Way Use Unit for presentation to the City Council. Because this request was made for properties located in your ward, as approved by you as per the attached, I respectfully request that you introduce the attached ordinance at the next City Council meeting.

If you have any questions regarding this ordinance, please contact Anthony Bertuca at (312) 744-5506.

**Department of Business Affairs and Consumer Protection**