



City of Chicago



O2014-8319

Office of the City Clerk

Document Tracking Sheet

Meeting Date:	10/8/2014
Sponsor(s):	Harris (8)
Type:	Ordinance
Title:	Grant(s) of privilege in public way for Walgreens No. 02387
Committee(s) Assignment:	Committee on Transportation and Public Way

ORDINANCE
WALGREENS #02387
Acct. No. 147 - 101
Permit No. 1115185

Be It Ordained by the City Council of the City of Chicago:

SECTION 1. Permission and authority are hereby given and granted to WALGREENS #02387, upon the terms and subject to the conditions of this ordinance to maintain and use four (4) sign(s) projecting over the public right-of-way attached to its premises known as 1616 E. 87th St..

Said sign structure(s) measures as follows; along E. 87th Street:

One (1) at twenty-six point six six (26.66) feet in length, one point eight three (1.83) feet in height and sixteen (16) feet above grade level.

Said sign structure(s) measures as follows; along E. 87th Street:

One (1) at twelve point eight three (12.83) feet in length, one point five (1.5) feet in height and sixteen (16) feet above grade level.

Said sign structure(s) measures as follows; along E. 87th Street:

One (1) at seven point seven five (7.75) feet in length, one point five (1.5) feet in height and sixteen (16) feet above grade level.

Said sign structure(s) measures as follows; along E. 87th Street:

One (1) at six point one four (6.14) feet in length, one point five (1.5) feet in height and sixteen (16) feet above grade level.

The location of said privilege shall be as shown on prints kept on file with the Department of Business Affairs and Consumer Protection and the Office of the City Clerk.

Said privilege shall be constructed in accordance with plans and specifications approved by the Department of Transportation (Division of Project Development) and Zoning Department - Signs.

This grant of privilege in the public way shall be subject to the provisions of Section 10-28-015 and all other required provisions of the Municipal Code of Chicago.

The grantee shall pay to the City of Chicago as compensation for the privilege #1115185 herein granted the sum of four hundred seventy-five (\$475.00) per annum in advance.

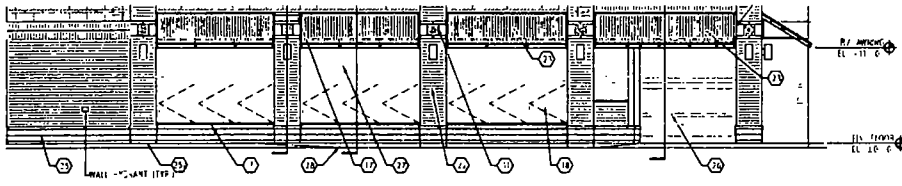
A 25% penalty will be added for payments received after due date.

The permit holder agrees to hold the City of Chicago harmless for any damage, relocation or replacement costs associated with damage, relocation or removal of private property caused by the City performing work in the public way.

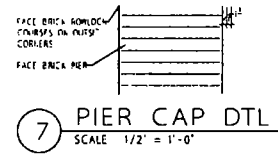
Authority herein given and granted for a period of five (5) years from and after 06/03/2014.

Alderman Michelle A. Harris

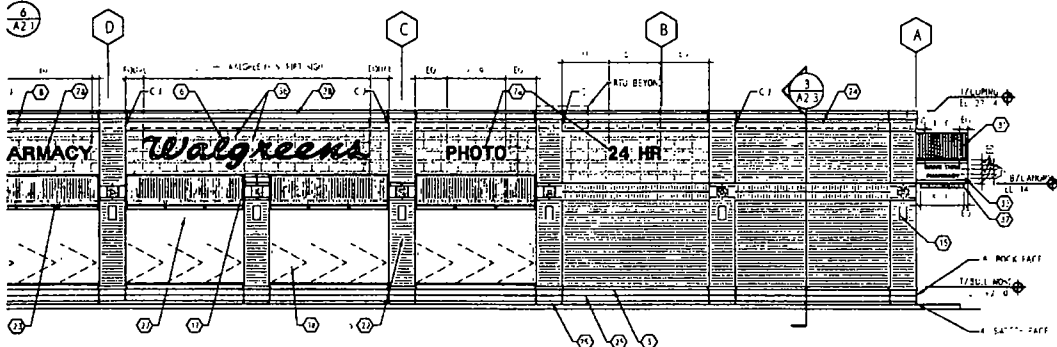
Michelle A. Harris 8th Ward



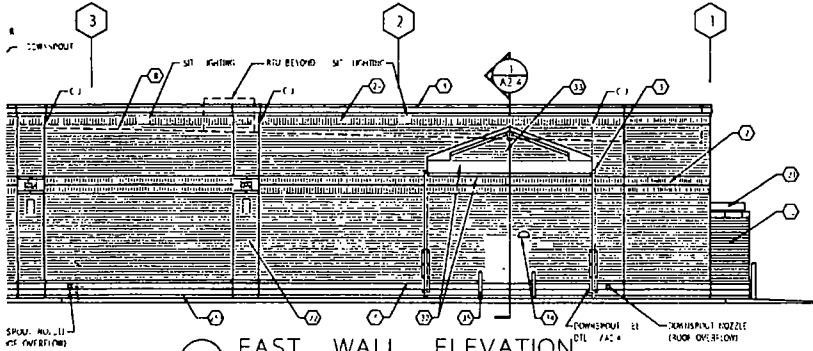
1 WEST WALL ELEVATION
SCALE 1/8" = 1'-0"



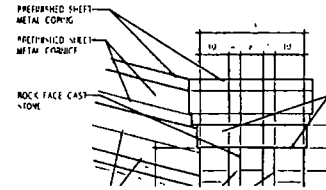
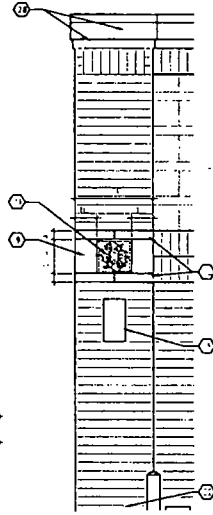
7 PIER CAP DTL
SCALE 1/2" = 1'-0"



2 SOUTH WALL ELEVATION
SCALE 1/8" = 1'-0"



3 EAST WALL ELEVATION
SCALE 1/8" = 1'-0"



- 1 WALGREENS SCRIPT SIGN SEE DETAIL
 - 2 8 X 8 X 2 1/2 CAST STONE SILL
 - 3 INDIVIDUAL SIGN LETTERS
 - 4 FLOOR LINE SHOWN UNASHED
 - 5 8 W X 12 H SMOOTH FACED CAST ST
 - 6 18 W X 4 H SMOOTH FACED CAST ST
 - 7 EIFS FASCIA & KEY STONE COLOR
 - 8 16 X 16 PINEAPPLE GROVE ACCE
 - 9 RAIN SHIELD COLOR SIERRA TAN
 - 10 MASONRY TUTE ENCLOSURE W/ BOAF WOOD GATES STAINTC TO MATCH SI
 - 11 PIPE BOLLARD SEE DETAIL ON STRUC
 - 12 DECORATIVE ACCENT LIGHT FIXTURE
 - 13 WALL-MOUNTED LIGHT SEE ELECTRIC
 - 14 1 0 H X 1 6 L X 8 THICK CAST S SILL & WASH
 - 15 CASEMENT WINDOW
 - 16 WALGREENS NFOW GRAPHIC BEYOND ON SHIT AS 2
 - 17 1/4 CLEAR FLOAT GLASS CLEAR ANE THIRREALLY BRICKEN ALUM WINDOW
 - 18 LEDMAN FASCIA AT TUTE ENCLOSURE SEE 2/2 AD 1 PAINT TO MATCH NEER
 - 19 UTILITY SIZ FACE BRICK PIER/MAS COLOR PARK ROSE
 - 20 METAL AVENUE ON PAINTED METAL PR COLOR FOREST GREEN
 - 21 SMALL UTILITY SILL PALE BRICK SUL COLOR PARK ROSE
 - 22 8 ROCK FACE CAST STONE BUILDING WHEAT
 - 23 4 SMOOTH FACE CAST STONE STAR PREFINISHED CLEAR ANODIZED ALUMIN BI-PARTING HINGED DOOR ENTRANCE
 - 24 1 INSULATED GLASS W/ TINT FILM IN THERMALLY BROKEN ALUM FRAMING
 - 25 PRE-FINISHED SHEET METAL CORNICE SIERRA TAN
 - 26 2 4 X 2 0 HOLLOW METAL DOOR PAINT TO MATCH SIERRA TAN MTL
 - 27 METAL COILING DOOR & FRAME PAINT TO MATCH SIERRA TAN MTL
 - 28 PREFINISHED MTL ROOFING COLOR F
 - 29 PREFINISHED MTL TRIM COLOR FURE
 - 30 PREFINISHED MTL SIDING COLOR FOL
 - 31 WALL MTD LIGHT SEE ELECTRICAL C
 - 32 FLEXIBLE DELINEATION POST
 - 33 ALTERNATING BANDS OF 4 H & 12 H 1 SMOOTH FACE CAST STONE
 - 34 CLEARANCE SIGN SEE DETAIL ON C
- ALL PRECAST STONE TO BE SAVANN HARVEY CEMENT PRODUCTS COLOR WHEAT (RENAISSANCE STONE)
NOTE: GENERAL CONTRACTOR TO PUR EXTERIOR MATERIAL MOCKUPS FOR APPROVAL PRIOR TO INSTALLATION