



City of Chicago



O2016-4135

Office of the City Clerk

Document Tracking Sheet

Meeting Date:	5/18/2016
Sponsor(s):	Burnett (27)
Type:	Ordinance
Title:	Canopy(s) for Carpenter Morgan Venture LLC
Committee(s) Assignment:	Committee on Transportation and Public Way

ORDINANCE
CARPENTER MORGAN VENTURE, LLC
Acct. No. 405222 - 1
Permit No. 1122751

Be It Ordained by the City Council of the City of Chicago:

SECTION 1. Permission and authority are hereby given and granted to CARPENTER MORGAN VENTURE, LLC, upon the terms and subject to the conditions of this ordinance to construct, install, maintain and use one (1) Canopy(s) projecting over the public right-of-way adjacent to its premises known as 413 N. Carpenter St..

Said Canopy(s) at N. Carpenter Street measure(s):

One (1) at seventeen (17) feet in length, and four (4) feet in width for a total of sixty-eight (68) square feet.

The location of said privilege shall be as shown on prints kept on file with the Department of Business Affairs and Consumer Protection and the Office of the City Clerk.

Said privilege shall be constructed in accordance with plans and specifications approved by the Zoning Department - Signs.

This grant of privilege in the public way shall be subject to the provisions of Section 10-28-015 and all other required provisions of the Municipal Code of Chicago.

The grantee shall pay to the City of Chicago as compensation for the privilege #1122751 herein granted the sum of fifty (\$50.00) per annum in advance.

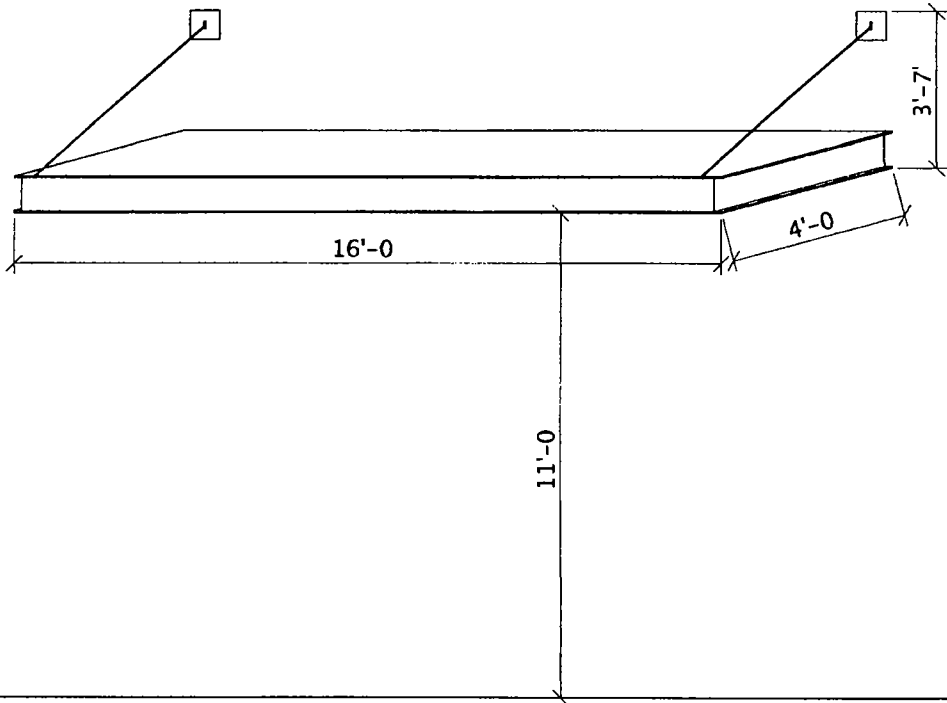
A 25% penalty will be added for payments received after due date.

The permit holder agrees to hold the City of Chicago harmless for any damage, relocation or replacement costs associated with damage, relocation or removal of private property caused by the City performing work in the public way.

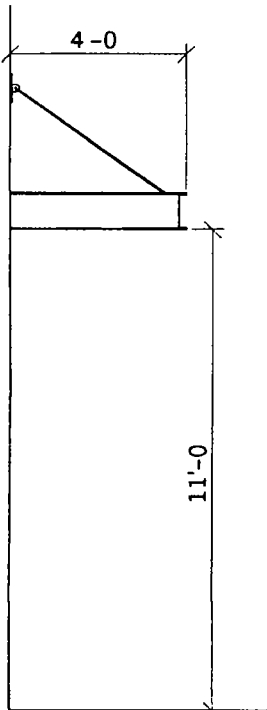
Authority herein given and granted for a period of five (5) years from and after Date of Passage.

Alderman

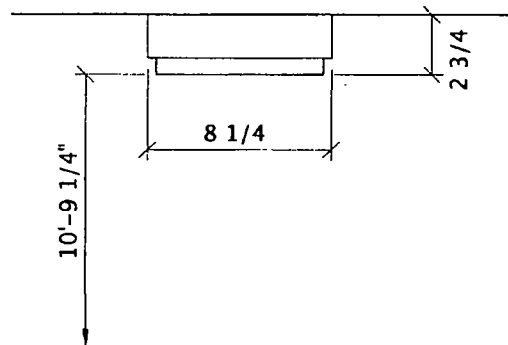

Walter Burnett Jr. 27th Ward



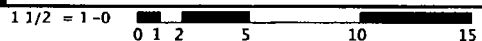
1 CANOPY DIMENSIONS



2 CANOPY LOCATION



3 LIGHT FIXTURE DIMENSIONS



588 WEST LAKE STREET
SUITE 100
CHICAGO IL 60661
312 481 8840
WWW.EACHICAGO.COM

CLIENT ANNENBERG INVESTMENTS - 413 N CARPENTER
 SKETCH NO SK02 PROJECT NO 15453 01
 FILE NAME 15453 01_3CD DWG DRAWN BY JMR DATE 3 29 2016