



City of Chicago



O2021-123

Office of the City Clerk

Document Tracking Sheet

Meeting Date:	1/27/2021
Sponsor(s):	Burnett (27)
Type:	Ordinance
Title:	Awning(s) for Philz Coffee-N Wells
Committee(s) Assignment:	Committee on Transportation and Public Way

ORDINANCE
PHILZ COFFEE-N WELLS
Acct. No. 429878 - 2
Permit No. 1147033

Be It Ordained by the City Council of the City of Chicago:

SECTION 1. Permission and authority are hereby given and granted to PHILZ COFFEE-N WELLS, upon the terms and subject to the conditions of this ordinance to maintain and use, as now constructed, two (2) Awning(s) projecting over the public right-of-way adjacent to its premises known as 1555 N. Wells St..

Said Awning(s) at N. Wells Street measure(s):

Two (2) at twelve point five eight (12.58) feet in length, and four (4) feet in width for a total of one hundred point six four (100.64) square feet.

The location of said privilege shall be as shown on prints kept on file with the Department of Business Affairs and Consumer Protection and the Office of the City Clerk.

Said privilege shall be constructed in accordance with plans and specifications approved by the Zoning Department - Signs.

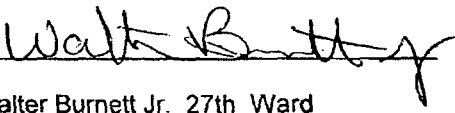
This grant of privilege in the public way shall be subject to the provisions of Section 10-28-015 and all other required provisions of the Municipal Code of Chicago.

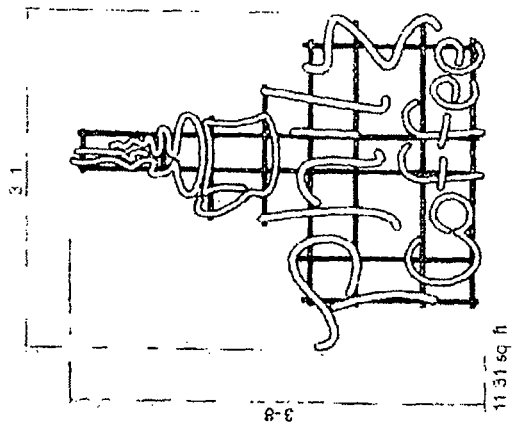
The grantee shall pay to the City of Chicago as compensation for the privilege #1147033 herein granted the sum of one hundred (\$100.00) per annum in advance.

A 25% penalty will be added for payments received after due date.

The permit holder agrees to hold the City of Chicago harmless for any damage, relocation or replacement costs associated with damage, relocation or removal of private property caused by the City performing work in the public way.

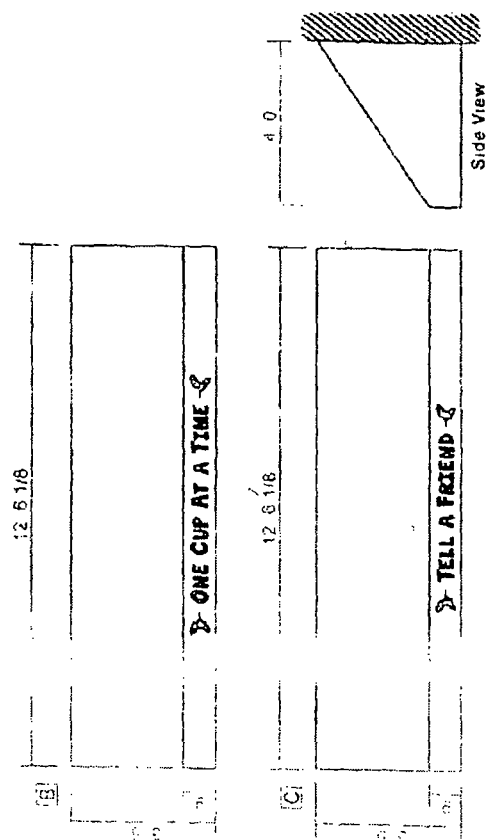
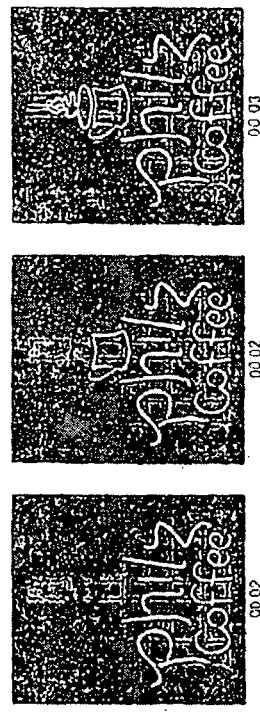
Authority herein given and granted for a period of five (5) years from and after Date of Passage.

Alderman 
Walter Burnett Jr. 27th Ward



D EXPOSED NEON SIGN Scale 1/12 = 1.0
 Manufacture and install one (1) 3.6 OAH exposed neon window sign

Description	Finish	Color
Frame	Paint (slim)	Black
Material	1/2 Square tube	
Dimension	12mm Neon tubes	Copy & Submit + Verify



E DRAWING SPECIFICATIONS Scale 3/8 = 1.0
 Manufacture and install two (2) non illuminated awnings with closed sides

Description	Material	Finish	Color
Frame	1/2 Square tube	Paint (slim)	Match fabric color
Panel	1/2 Square tube	Flt treated	Suntrella 4555 Buterup
Material	1/2 Square tube	Paint (slim)	Pe artwork

ADART LED & SIGNAGE SUPPLY CO.
 10000 W. 10th St.
 Aurora, CO 80015
 (303) 733-7100
 www.adart.com

10000 W. 10th St.
 Aurora, CO 80015
 (303) 733-7100
 www.adart.com

10000 W. 10th St.
 Aurora, CO 80015
 (303) 733-7100
 www.adart.com

10000 W. 10th St.
 Aurora, CO 80015
 (303) 733-7100
 www.adart.com

10000 W. 10th St.
 Aurora, CO 80015
 (303) 733-7100
 www.adart.com

10000 W. 10th St.
 Aurora, CO 80015
 (303) 733-7100
 www.adart.com



Department of Business Affairs and Consumer Protection
Small Business Center - Public Way Use Unit
City Hall - 121 N. LaSalle Street, Room 800 • Chicago, IL 60602
312-74-GOBIZ / 312-744-6249 • (312) 744-1944 (TTY)
<http://www.cityofchicago.org/bacp>

01/27/2021

Alderman **Walter Burnett Jr.**
Ward # 27
City of Chicago
City Hall, Room 300
121 North LaSalle Street
Chicago, Illinois 60602

Re: An ordinance to use and maintain a portion of the public right-of-way for **two (2) awning(s)** for **PHILZ COFFEE-N WELLS**, adjacent to the premises known as **1555 N. Wells St.**

Dear Alderman **Walter Burnett Jr.**:

The applicant referenced above has requested the use of the public right-of-way for a **awning(s)**. An ordinance has been prepared by the Department of Business Affairs and Consumer Protection – Small Business Center - Public Way Use Unit for presentation to the City Council. Because this request was made for properties located in your ward, as approved by you as per the attached, I respectfully request that you introduce the attached ordinance at the next City Council meeting.

If you have any questions regarding this ordinance, please contact Anthony Bertuca at (312) 744-5506.

Department of Business Affairs and Consumer Protection