



City of Chicago



O2014-3717

Office of the City Clerk

Document Tracking Sheet

Meeting Date:	4/30/2014
Sponsor(s):	Burnett (27)
Type:	Ordinance
Title:	Grant(s) of privilege in public way for Alhambra Palace Restaurant - light fixtures
Committee(s) Assignment:	Committee on Transportation and Public Way

ORDINANCE
ALHAMBRA PALACE RESTAURANT
Acct. No. 289871 - 1
Permit No. 1099995

Be It Ordained by the City Council of the City of Chicago:

SECTION 1. Permission and authority are hereby given and granted to ALHAMBRA PALACE RESTAURANT, upon the terms and subject to the conditions of this ordinance to maintain and use, as now constructed, four (4) Light Fixture(s) projecting over the public right-of-way adjacent to its premises known as 1240 W. Randolph St..

Said Light Fixture(s) at W. Randolph measure(s):

Four (4) at point five (.5) feet in length, one (1) foot in width and seven point seven five (7.75) feet above grade level.

The location of said privilege shall be as shown on prints kept on file with the Department of Business Affairs and Consumer Protection and the Office of the City Clerk.

Said privilege shall be constructed in accordance with plans and specifications approved by the Department of Transportation (Division of Project Development).

This grant of privilege in the public way shall be subject to the provisions of Section 10-28-015 and all other required provisions of the Municipal Code of Chicago.

The grantee shall pay to the City of Chicago as compensation for the privilege #1099995 herein granted the sum of fifty (\$50.00) per annum in advance.

A 25% penalty will be added for payments received after due date.

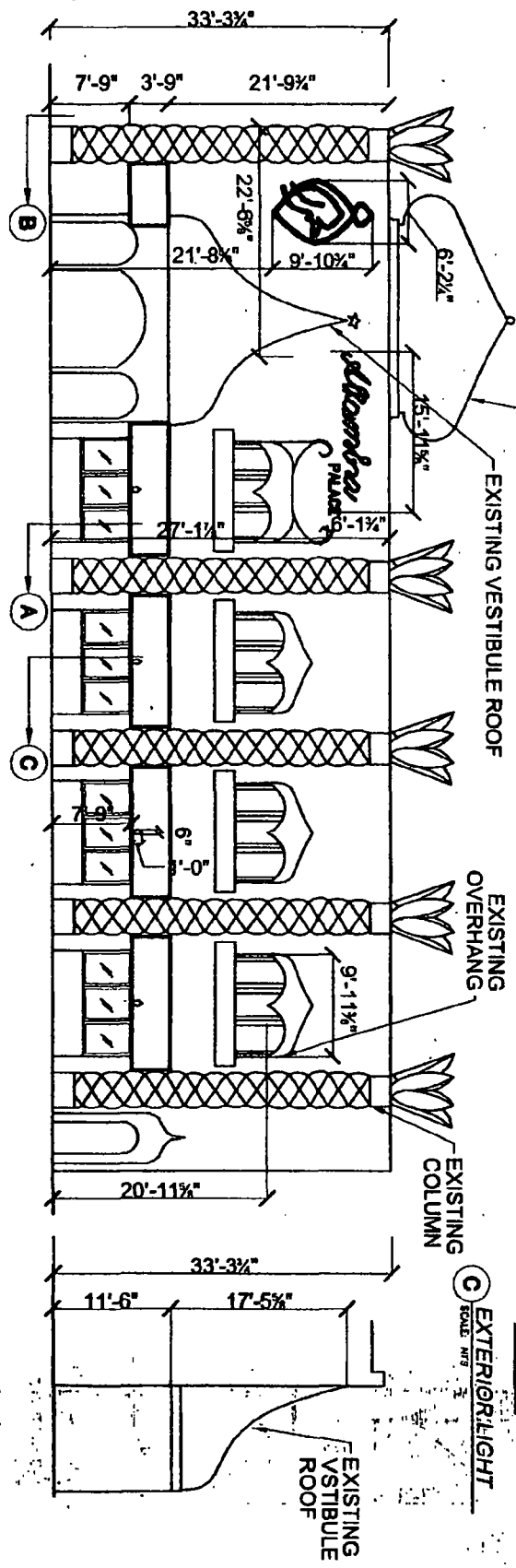
The permit holder agrees to hold the City of Chicago harmless for any damage, relocation or replacement costs associated with damage, relocation or removal of private property caused by the City performing work in the public way.

Authority herein given and granted for a period of five (5) years from and after Date of Passage.

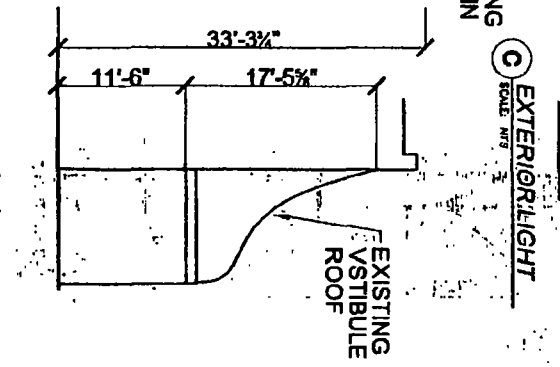
Alderman 

Walter Burnett Jr. 27th Ward

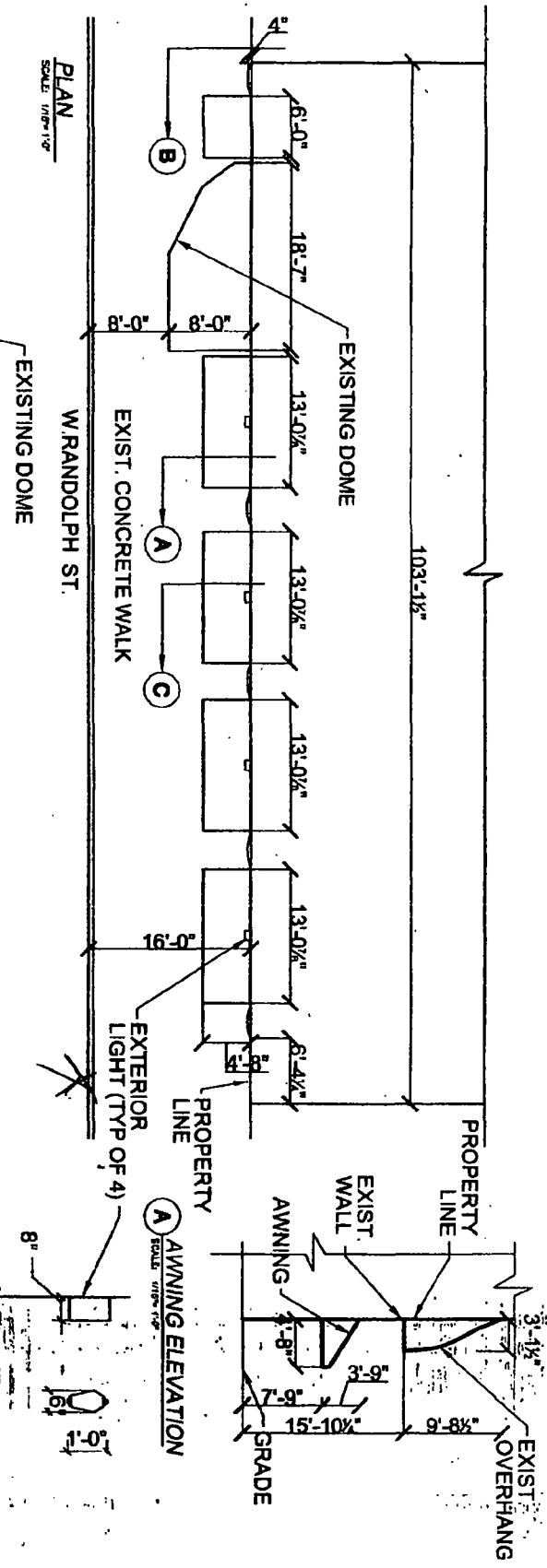
2 SOUTH ELEVATION
SCALE: 1/8"=1'-0"



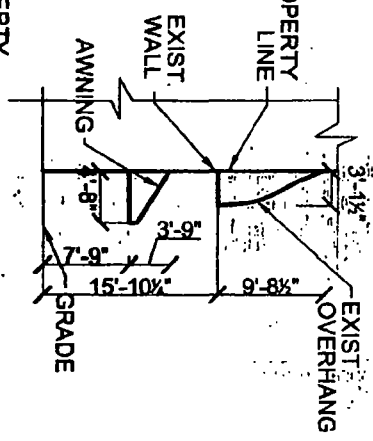
B DOME ELEVATION
SCALE: 1/8"=1'-0"



PLAN
SCALE: 1/8"=1'-0"



A AWNING ELEVATION
SCALE: 1/8"=1'-0"



ALHAMBRA PALACE RESTAURANT
1240 W. RANDOLPH STR.
CHICAGO, IL 60634