



City of Chicago



O2021-2652

Office of the City Clerk

Document Tracking Sheet

Meeting Date:	6/25/2021
Sponsor(s):	Ervin (28)
Type:	Ordinance
Title:	Grant(s) of privilege in public way for A Safe Haven Foundation - bicycle rack(s)
Committee(s) Assignment:	Committee on Transportation and Public Way

ORDINANCE
A SAFE HAVEN FOUNDATION
Acct. No.: 376543 - 4
Permit No: BACP1148226

Be It Ordained by the City Council of the City of Chicago:

SECTION 1. Permission and authority are hereby given and granted to A SAFE HAVEN FOUNDATION upon the terms and subject to the conditions of this ordinance to construct, install, maintain and use two (2) Bicycle Rack(s) on the public right-of-way adjacent to its premises known as ~~2420~~²⁴²⁰ W ROOSEVELT RD

Said Bicycle Rack(s) at W. Roosevelt Rd measure(s):
Two (2) at three (3) feet in length and Zero (0) feet in width for a total of six (6) square feet.

The location of said privilege shall be as shown on prints kept on file with the Department of Business Affairs and Consumer Protection and the Office of the City Clerk.

Said privilege shall be constructed in accordance with plans and specifications approved by the Department of Transportation (Division of Project Development) Department of Planning and Development and Department of Transportation (Division of Project Development).

This grant of privilege in the public way shall be subject to the provisions of Section 10-28-015 and all other required provisions of the Municipal Code of Chicago.

The grantee shall pay to the City of Chicago as compensation for the privilege #BACP1148226 herein granted the sum of Zero (\$0.00) per annum in advance.

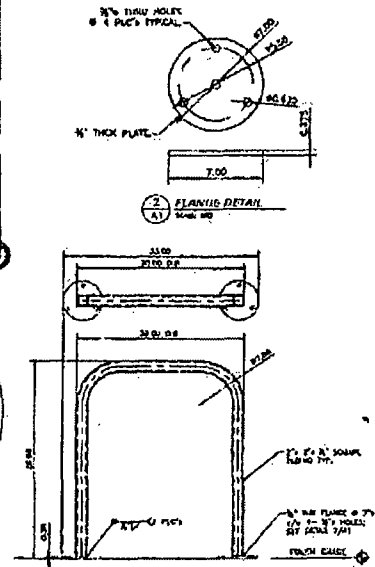
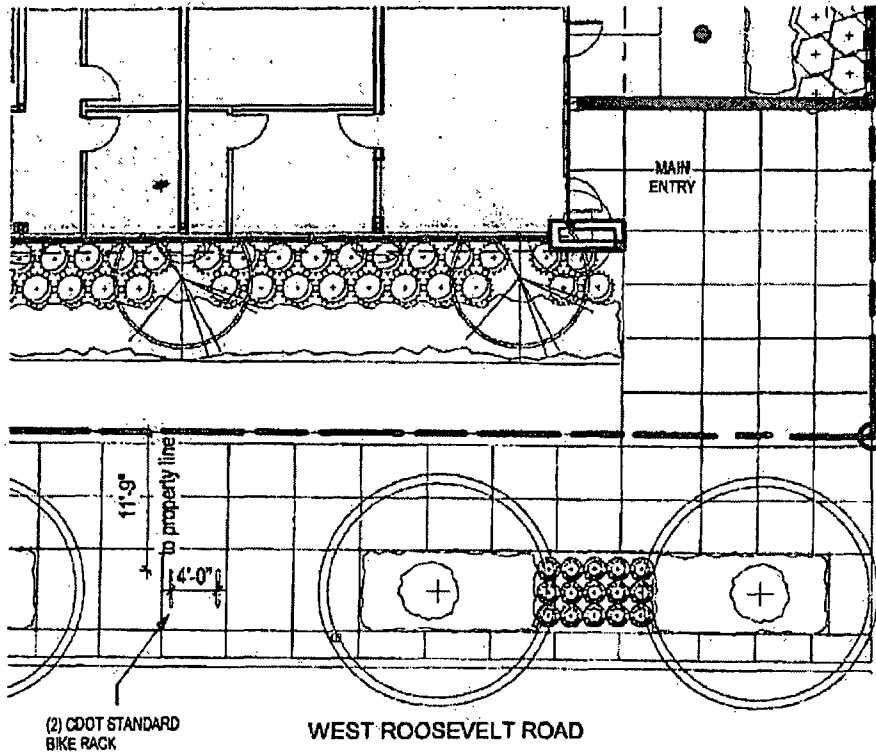
A 25% penalty will be added for payments received after due date.

The permit holder agrees to hold the City of Chicago harmless for any damage, relocation or replacement costs associated with damage, relocation or removal of private property caused by the City performing work in the public way.

Authority herein given and granted for a period of five (5) years from and after 10/04/2019.

Alderman:


Jason Ervin 28th Ward



1 BIKE RACK SITE PLAN
SCALE: 3/32" = 1'-0"

6 CDOT STANDARD BIKE RACK
SCALE: NFD

UrbanWorks

A SAFE HAVEN VETERANS STUDIOS
2908 WEST ROOSEVELT ROAD
CHICAGO, IL 60612

BIKE RACKS
2019.10.09



Department of Business Affairs and Consumer Protection
Small Business Center - Public Way Use Unit
City Hall - 121 N. LaSalle Street, Room 800, Chicago, IL 60602
312-74-GOBIZ / 312-744-6249 • (312) 744-1944 (TTY)
<http://www.cityofchicago.org/bacp>

06/23/2021

Alderman Jason Ervin
Ward # 28
City of Chicago
City Hall, Room 800
121 N. LaSalle Street
Chicago, IL 60602

Re: An ordinance to use and maintain a portion of the public right-of-way for **2 Bicycle Rack(s)** for **A SAFE HAVEN FOUNDATION**, adjacent to the premises known as **2420 W ROOSEVELT RD.**

Dear Alderman Jason Ervin:

The applicant referenced above has requested the use of the public right-of-way for **Bicycle Rack(s)**. An ordinance has been prepared by the Department of Business Affairs and Consumer Protection - Small Business Center - Public Way Use Unit for presentation to the City Council. Because this request was made for properties located in your ward, as approved by you as per the attached, I respectfully request that you introduce the attached ordinance at the next City Council meeting.

If you have any questions regarding this ordinance, please contact Anthony Bertuca at (312) 744-5506.

Department of Business Affairs and Consumer Protection