



City of Chicago



O2013-7071

Office of the City Clerk

Document Tracking Sheet

Meeting Date:	9/11/2013
Sponsor(s):	Smith, Michele (43)
Type:	Ordinance
Title:	Awning(s) for Ringo
Committee(s) Assignment:	Committee on Transportation and Public Way

ORDINANCE
RINGO
Acct. No. 49361 - 2
Permit No. 1107791

Be It Ordained by the City Council of the City of Chicago:

SECTION 1. Permission and authority are hereby given and granted to RINGO, upon the terms and subject to the conditions of this ordinance to maintain and use, as now constructed, one (1) Awning(s) projecting over the public right-of-way adjacent to its premises known as 2507 N. Lincoln Ave..

Said Awning(s) at N. LINCOLN measure(s):

One (1) at twenty (20) feet in length, and three point five (3.5) feet in width for a total of seventy (70) square feet.

The location of said privilege shall be as shown on prints kept on file with the Department of Business Affairs and Consumer Protection and the Office of the City Clerk.

Said privilege shall be constructed in accordance with plans and specifications approved by the Zoning Department - Signs.

This grant of privilege in the public way shall be subject to the provisions of Section 10-28-015 and all other required provisions of the Municipal Code of Chicago.

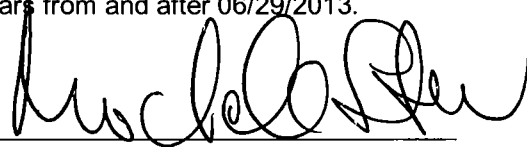
The grantee shall pay to the City of Chicago as compensation for the privilege #1107791 herein granted the sum of fifty (\$50.00) per annum in advance.

A 25% penalty will be added for payments received after due date.

The permit holder agrees to hold the City of Chicago harmless for any damage, relocation or replacement costs associated with damage, relocation or removal of private property caused by the City performing work in the public way.

Authority herein given and granted for a period of five (5) years from and after 06/29/2013.

Alderman

A handwritten signature in black ink, appearing to read 'Michele Smith', written over a horizontal line.

Michele Smith 43rd Ward



(Bridgeport)
Chicago, IL

3401 S Halsted St
Chicago, IL 60608
773-847-2828
Fax 773-847-0088

Ringo
SIGN ELEVATION
EXHIBIT

Address: 2507 N. Lincoln Ave

City: Chicago, IL
State: IL 60614

Account Rep: K. WONG

APPROVALS
CLIENT: _____
DESIGN: _____
PROD: _____

Designer: K. WONG

Design No: _____

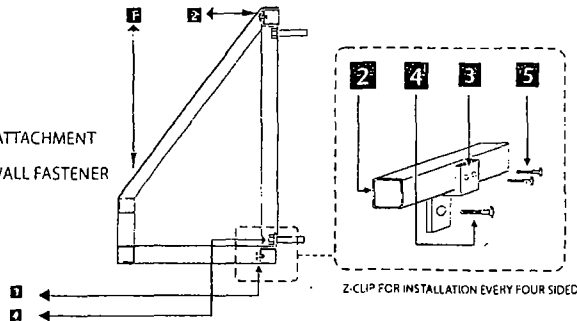
DATE: 05-13-13

Rev Date: _____

The purchaser agrees to hold the seller harmless against any claims for action for damage which may occur as a result of drilling for signs and foundations, including but not limited to, trees, gas lines or any underground utilities which the purchaser or anyone paid for is liable.

SPECIFICATIONS

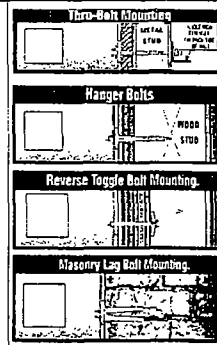
- 1 Canopy Fabric Material
- 2 1"X 1" SQUARE TUBE FRAME
- 3 3/16" GALVANIZED STEEL Z-CLIP ATTACHMENT
- 4 APPROPRIATE NON-CORROSIVE WALL FASTENER SEE MOUNTING OPTION DETAILS
- 5 #12 TEK SCREW



COLOR SCHEDULE

- Yellow
- Burgundy

MOUNTING DETAIL



THIS DESIGN AND ENGINEERING IS SUBMITTED AS OUR PROPOSAL, AND THE RIGHT TO USE OR EXHIBIT IN ANY FORM, IS NOT AUTHORIZED WITHOUT WRITTEN PERMISSION BY MONSIBIC, INC