



City of Chicago



O2017-5168

Office of the City Clerk

Document Tracking Sheet

Meeting Date:	6/28/2017
Sponsor(s):	Burnett (27)
Type:	Ordinance
Title:	Grant(s) of privilege in public way for Codeverse Lincoln Park
Committee(s) Assignment:	Committee on Transportation and Public Way

ORDINANCE
CODEVERSE LINCOLN PARK
Acct. No. 415123 - 1
Permit No. 1127304

Be It Ordained by the City Council of the City of Chicago:

SECTION 1. Permission and authority are hereby given and granted to CODEVERSE LINCOLN PARK, upon the terms and subject to the conditions of this ordinance to maintain and use one (1) sign(s) projecting over the public right-of-way attached to its premises known as 819 W. Eastman St..

Said sign structure(s) measures as follows; along W EASTMAN ST:

One (1) at one point five eight (1.58) feet in length, three (3) feet in height and fourteen point five (14.5) feet above grade level.

The location of said privilege shall be as shown on prints kept on file with the Department of Business Affairs and Consumer Protection and the Office of the City Clerk.

Said privilege shall be constructed in accordance with plans and specifications approved by the Department of Transportation (Division of Project Development) and Zoning Department - Signs.

This grant of privilege in the public way shall be subject to the provisions of Section 10-28-015 and all other required provisions of the Municipal Code of Chicago.

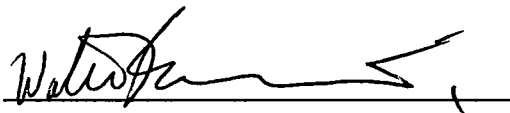
The grantee shall pay to the City of Chicago as compensation for the privilege #1127304 herein granted the sum of one hundred (\$100.00) per annum in advance.

A 25% penalty will be added for payments received after due date.

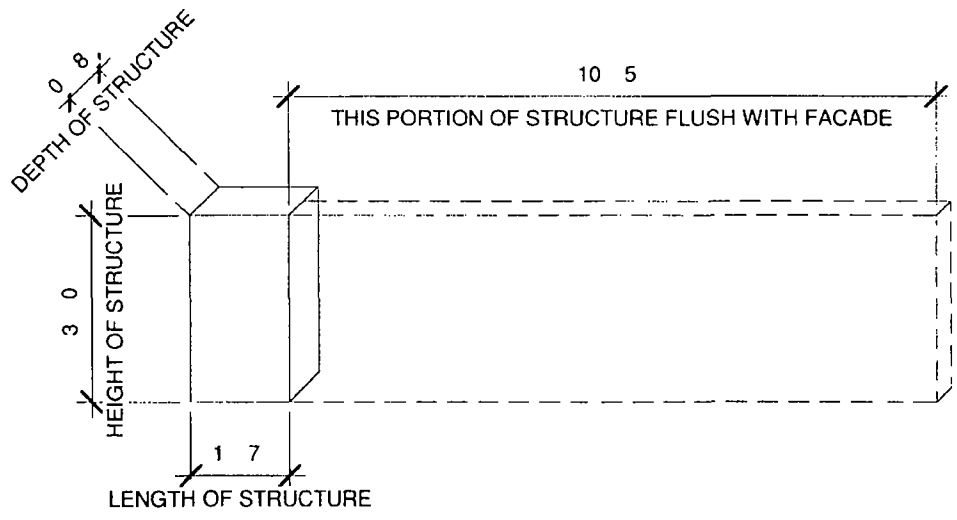
The permit holder agrees to hold the City of Chicago harmless for any damage, relocation or replacement costs associated with damage, relocation or removal of private property caused by the City performing work in the public way.

Authority herein given and granted for a period of five (5) years from and after Date of Passage.

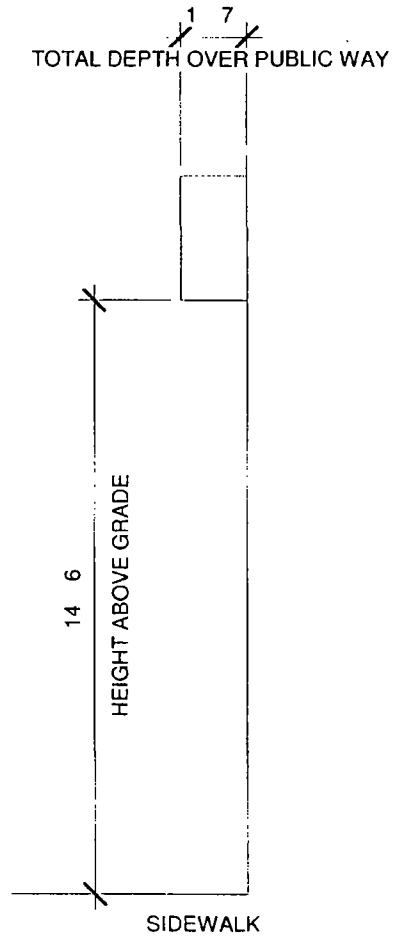
Alderman



Walter Burnett Jr. 27th Ward



① Sign Detail
3/8" = 1'-0"



② Sign Height
1/4" = 1'-0"

03 27 17

CODEVERSE LINCOLN PARK
819 W EASTMAN
CHICAGO IL 60642

Scale As indicated
© 2016 SARAH KUCHAR STUDIO