



City of Chicago



O2014-1172

Office of the City Clerk

Document Tracking Sheet

Meeting Date:	2/5/2014
Sponsor(s):	Pawar (47)
Type:	Ordinance
Title:	Grant(s) of privilege in public way for European Wax Center
Committee(s) Assignment:	Committee on Transportation and Public Way

ORDINANCE
European Wax Center
Acct. No. 385278 - 1
Permit No. 1108838

Be It Ordained by the City Council of the City of Chicago:

SECTION 1. Permission and authority are hereby given and granted to European Wax Center, upon the terms and subject to the conditions of this ordinance to maintain and use one (1) sign(s) projecting over the public right-of-way attached to its premises known as 4713 N. Lincoln Ave..

Said sign structure(s) measures as follows; along Lincoln:
One (1) at ten point zero eight (10.08) feet in length, two point six six (2.66) feet in height and twelve point five (12.5) feet above grade level.

The location of said privilege shall be as shown on prints kept on file with the Department of Business Affairs and Consumer Protection and the Office of the City Clerk.

Said privilege shall be constructed in accordance with plans and specifications approved by the Department of Transportation (Division of Project Development) and Zoning Department - Signs.

This grant of privilege in the public way shall be subject to the provisions of Section 10-28-015 and all other required provisions of the Municipal Code of Chicago.


The grantee shall pay to the City of Chicago as compensation for the privilege #1108838 herein granted the sum of three hundred (\$300.00) per annum in advance.

A 25% penalty will be added for payments received after due date.

The permit holder agrees to hold the City of Chicago harmless for any damage, relocation or replacement costs associated with damage, relocation or removal of private property caused by the City performing work in the public way.

Authority herein given and granted for a period of five (5) years from and after Date of Passage.

Alderman



Ameya Pawar 47th Ward



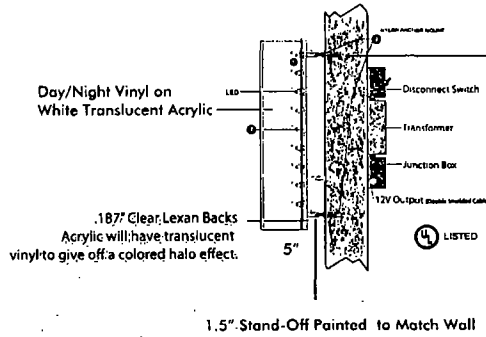
Storefront 18' - 8"

Dimensions



Sq. Ft. = 21.2

Compound Channel on Stand Offs

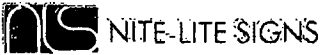


Note: Penetrations to be sealed with Contractor Grade GE Silicone II Supreme, 2x stretch

- 1 - CHANNEL LETTER TYPE:
FACE MATERIAL: .187" Acrylic Faces
RETURN MATERIAL: .050 Alum
BACK MATERIAL: .125" Clear Lexan Backs
- 2 - ILLUMINATION: LED
TRANSFORMERS: Self Contained
Input Output
100-200 VAC 2-1.2 VDC
0.25-0.834 Amp 2.0 Amp @120V
- 3 - MOUNTING METHOD: Nylon anchors

Color

Face - Day/Night Vinyl (Perforated Black Vinyl on White Translucent Acrylic) Rear - 078 Vivid Rose (Translucent) (Applied to 3/16 Clear Lexan) Return / Trimcap - Brushed Aluminum Stand Off - To Match Wall Color



Address 4713 North Lincoln Ave
City Chicago
State/Zip IL 60625 Date

Approval: I have carefully reviewed and hereby accept the drawing(s) as shown. It is noted that any changes made to these designs prior to or after production may alter the contract price. All changes must be in writing and approved by both parties prior to production.

This is an original copyright protected drawing created by Nite-Lite Signs (Title 17, U.S. Code). It is submitted for your personal use in conjunction with a project being planned for you by Nite-Lite Signs and shall not be reproduced or disclosed for any purpose without written permission. Electric signs produced at Nite-Lite Signs conform to UL 48 standards and display the Underwriters Laboratories label.

Project Name EWC - Lincoln Av - Chicago, IL



02/05/2014

Alderman Ameya Pawar
Ward # **47**
City of Chicago
City Hall, Room **300**
121 North LaSalle Street
Chicago, Illinois 60602

Re: An ordinance to use and maintain a portion of the public right-of-way for **one (1) sign(s)** for **European Wax Center**, adjacent to the premises known as **4713 N. Lincoln Ave.**.

Dear Alderman **Ameya Pawar**:

The applicant referenced above has requested the use of the public right-of-way for a **sign(s)**. An ordinance has been prepared by the Department of Business Affairs and Consumer Protection – Small Business Center - Public Way Use Unit for presentation to the City Council. Because this request was made for properties located in your ward, as approved by you as per the attached, I respectfully request that you introduce the attached ordinance at the next City Council meeting.

If you have any questions regarding this ordinance, please contact Anthony Bertuca at (312) 744-5506.

Department of Business Affairs and Consumer Protection