



City of Chicago



O2014-6175

Office of the City Clerk
Document Tracking Sheet

Meeting Date: 7/30/2014
Sponsor(s): Maldonado (26)
Type: Ordinance
Title: Grant(s) of privilege in public way for West Town Chamber of Commerce - 2806 W Chicago Ave
Committee(s) Assignment: Committee on Transportation and Public Way

ORDINANCE

West Town Chamber of Commerce

Acct. No. 310603 - 126

Permit No. 1113483

Be It Ordained by the City Council of the City of Chicago:

SECTION 1. Permission and authority are hereby given and granted to West Town Chamber of Commerce, upon the terms and subject to the conditions of this ordinance to construct, install, maintain and use one (1) Trash container(s) on the public right-of-way adjacent to its premises known as 2806 W. Chicago Ave..

Said Trash container(s) at W. Chicago measure(s):

One (1) at two point nine two (2.92) feet in length, and two point nine two (2.92) feet in width for a total of eight point five three (8.53) square feet.

The location of said privilege shall be as shown on prints kept on file with the Department of Business Affairs and Consumer Protection and the Office of the City Clerk.

Said privilege shall be constructed in accordance with plans and specifications approved by the Department of Transportation (Division of Project Development).


This grant of privilege in the public way shall be subject to the provisions of Section 10-28-015 and all other required provisions of the Municipal Code of Chicago.

The grantee shall pay to the City of Chicago as compensation for the privilege #1113483 herein granted the sum of seventy-five (\$75.00) per annum in advance.

A 25% penalty will be added for payments received after due date.

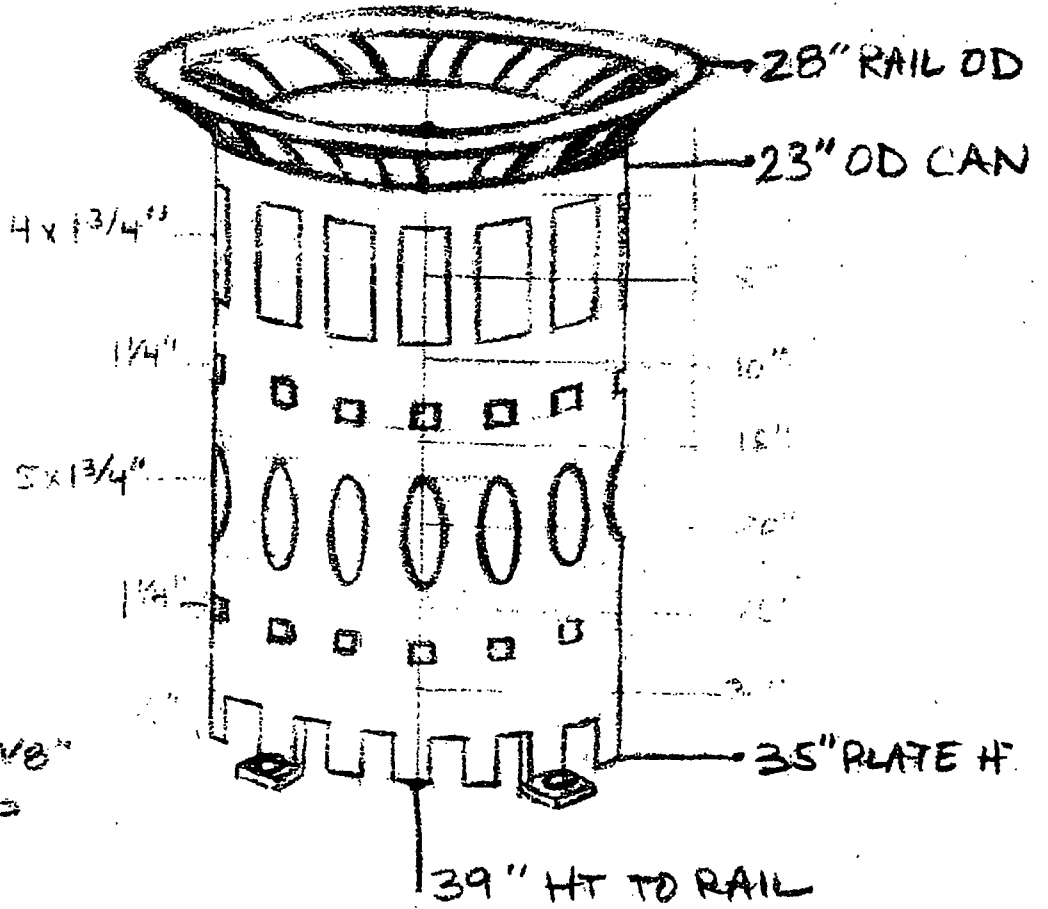
The permit holder agrees to hold the City of Chicago harmless for any damage, relocation or replacement costs associated with damage, relocation or removal of private property caused by the City performing work in the public way.

Authority herein given and granted for a period of five (5) years from and after Date of Passage.

Alderman 

Roberto Maldonado 26th Ward

50



LASER-CUT STEEL 1/8"
 ROLLED + WELDED
 POWDER-COATED
 YELLOW OR RED



07/30/2014

Alderman **Roberto Maldonado**
Ward # 26
City of Chicago
City Hall, Room 300
121 North LaSalle Street
Chicago, Illinois 60602

Re: An ordinance to use and maintain a portion of the public right-of-way for **one (1) trash container(s)** for **West Town Chamber of Commerce**, adjacent to the premises known as **2806 W. Chicago Ave.**.

Dear Alderman **Roberto Maldonado**:

The applicant referenced above has requested the use of the public right-of-way for a **trash container(s)**. An ordinance has been prepared by the Department of Business Affairs and Consumer Protection – Small Business Center - Public Way Use Unit for presentation to the City Council. Because this request was made for properties located in your ward, as approved by you as per the attached, I respectfully request that you introduce the attached ordinance at the next City Council meeting.

If you have any questions regarding this ordinance, please contact Anthony Bertuca at (312) 744-5506.

Department of Business Affairs and Consumer Protection