



City of Chicago



O2013-5230

Office of the City Clerk Document Tracking Sheet

Meeting Date:	6/26/2013
Sponsor(s):	Waguespack, Scott (32)
Type:	Ordinance
Title:	Grant(s) of privilege in public way for Northwest Insurance Network Inc.
Committee(s) Assignment:	Committee on Transportation and Public Way

ORDINANCE
NORTHWEST INSURANCE NETWORK, INC
Acct. No. 5876 - 3
Permit No. 1106017

Be It Ordained by the City Council of the City of Chicago:

SECTION 1. Permission and authority are hereby given and granted to NORTHWEST INSURANCE NETWORK, INC, upon the terms and subject to the conditions of this ordinance to maintain and use one (1) sign(s) projecting over the public right-of-way attached to its premises known as 2008 W. Chicago Ave..

Said sign structure(s) measures as follows; along W. Chicago Avenue:
One (1) at eight (8) feet in length, six (6) feet in height and ten (10) feet above grade level.

The location of said privilege shall be as shown on prints kept on file with the Department of Business Affairs and Consumer Protection and the Office of the City Clerk.

Said privilege shall be constructed in accordance with plans and specifications approved by the Department of Transportation (Division of Project Development) and Zoning Department - Signs.


This grant of privilege in the public way shall be subject to the provisions of Section 10-28-015 and all other required provisions of the Municipal Code of Chicago.

The grantee shall pay to the City of Chicago as compensation for the privilege #1106017 herein granted the sum of three hundred (\$300.00) per annum in advance.

A 25% penalty will be added for payments received after due date.

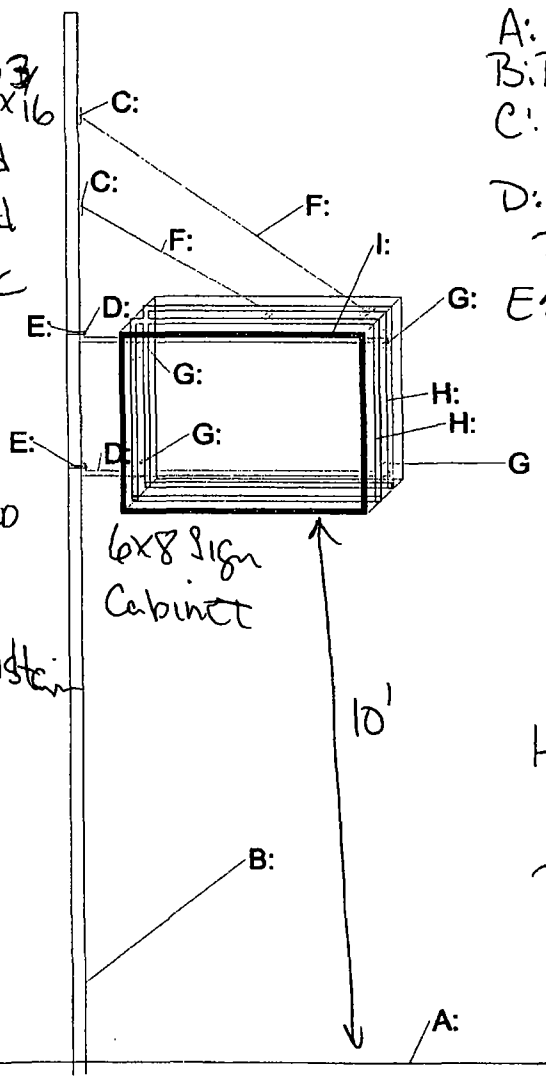
The permit holder agrees to hold the City of Chicago harmless for any damage, relocation or replacement costs associated with damage, relocation or removal of private property caused by the City performing work in the public way.

Authority herein given and granted for a period of five (5) years from and after Date of Passage.

Alderman 
Scott Waguespack 32nd Ward

Sign FRAME
Constructed of 2"x2"x³/₁₆"
Angle Iron welded
In corners & Bolted
To cabinet work
with ³/₈" carriage
Bolts

Cabinet constructed
of SHEET METAL
Painted Rust Resistant
Paint



- A: GRADE
- B: BRICK FACADE
- C: Support chain mounting clips
- D: Support Clips For Sign Post 2"x2" Angle Iron
- E: ³/₈" GALVANIZED METAL FASTENER WITH BOLT THROUGH SLEEVE
- F: Support Chain
- G: Upper & Lower Saddle Support Bolted To Sign and welded TO FRAME
- H: 2"x2" Angle Iron Sign Framework
- I: 2"x2" RETAINER Molding

Ad Deluxe Sign Co.
23866 West Andrew Road
Suite 103
Plainfield, IL 60585
Phone: 815-464-8469
Fax: 815-782-7760
ADDELUXESIGN@comcast.net



06/26/2013

Alderman **Scott Waguespack**
Ward # 32
City of Chicago
City Hall, Room 300
121 North LaSalle Street
Chicago, Illinois 60602

Re: An ordinance to use and maintain a portion of the public right-of-way for **one (1) sign(s)** for **NORTHWEST INSURANCE NETWORK, INC**, adjacent to the premises known as **2008 W. Chicago Ave.**.

Dear Alderman **Scott Waguespack**:

The applicant referenced above has requested the use of the public right-of-way for a **sign(s)**. An ordinance has been prepared by the Department of Business Affairs and Consumer Protection – Business Assistance Center - Public Way Use Unit for presentation to the City Council. Because this request was made for properties located in your ward, as approved by you as per the attached, I respectfully request that you introduce the attached ordinance at the next City Council meeting.

If you have any questions regarding this ordinance, please contact Anthony Bertuca at (312) 744-5506.

Department of Business Affairs and Consumer Protection