



Office of the Chicago City
Clerk



O2011-6765

Office of the City Clerk

City Council Document Tracking Sheet

Meeting Date:	7/28/2011
Sponsor(s):	Smith, Michele (43)
Type:	Ordinance
Title:	Grant(s) of Privilege in Public Way for State Farm Mutual Automobile Insurance Company- privilege No 1096107
Committee(s) Assignment:	Committee on Transportation and Public Way



CITY COUNCIL

CITY OF CHICAGO

COUNCIL CHAMBER
CITY HALL—SECOND FLOOR
121 NORTH LASALLE STREET
CHICAGO, ILLINOIS 60602
TELEPHONE 312-744-4096
FAX: 312-744-8155

COMMITTEE MEMBERSHIPS

TRANSPORTATION & PUBLIC WAY
(CHAIRMAN)

BUDGET AND GOVERNMENT OPERATIONS

ENERGY, ENVIRONMENTAL PROTECTION
& PUBLIC UTILITIES

EDUCATION AND CHILD DEVELOPMENT

FINANCE

POLICE AND FIRE

RULES AND ETHICS

ANTHONY A. BEALE

ALDERMAN, 9TH WARD
34 EAST 112TH PLACE
CHICAGO, ILLINOIS 60628
TELEPHONE (773) 785-1100
FAX (773) 785-2790

E-MAIL: WARD09@CITYOFCHICAGO.ORG

September 6, 2011

To the President and Members of the City Council:

Your Committee on Transportation and Public Way begs leave to report and recommend that Your Honorable Body pass the proposed ordinance transmitted herewith for a grant of privilege in the public way to STATE FARM MUTUAL AUTOMOBILE INSURANCE COMPANY - O2011-6765 to maintain and use one (1) sign over the public right-of-way adjacent to its premises known as 659 West Diversey Parkway. This ordinance was referred to the Committee on July 28, 2011.

This recommendation was concurred unanimously by a viva voce vote of the members of the Committee with no dissenting vote.

(Ward 43)

Respectfully submitted,

Anthony Beale,
Chairman



ORDINANCE
STATE FARM MUTUAL AUTOMOBILE INSURANCE COMPANY
Acct. No. 361023 - 1
Permit No. 1096107

Be It Ordained by the City Council of the City of Chicago:

SECTION 1. Permission and authority are hereby given and granted to STATE FARM MUTUAL AUTOMOBILE INSURANCE COMPANY, upon the terms and subject to the conditions of this ordinance to maintain and use one (1) sign(s) projecting over the public right-of-way attached to its premises known as 659 W. Diversey Pkwy..

Said sign structure(s) measures as follows; along W. Diversey:
One (1) at three (3) feet in length, three (3) feet in height and nine point five (9.5) feet above grade level.

The location of said privilege shall be as shown on prints kept on file with the Department of Business Affairs and Consumer Protection and the Office of the City Clerk.

Said privilege shall be constructed in accordance with plans and specifications approved by the Department of Transportation (Division of Project Development) and Zoning Department - Signs.

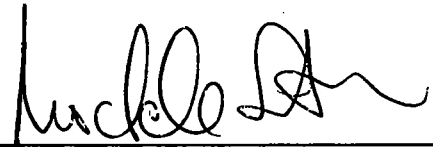
This grant of privilege in the public way shall be subject to the provisions of Section 10-28-015 and all other required provisions of the Municipal Code of Chicago.

The grantee shall pay to the City of Chicago as compensation for the privilege #1096107 herein granted the sum of one hundred (\$100.00) per annum in advance.

A 25% penalty will be added for payments received after due date.

The permit holder agrees to hold the City of Chicago harmless for any damage, relocation or replacement costs associated with damage, relocation or removal of private property caused by the City performing work in the public way.

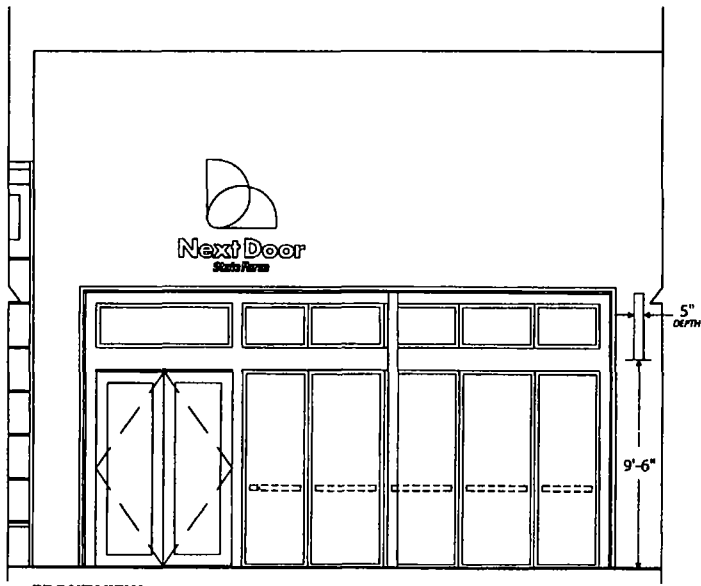
Authority herein given and granted for a period of five (5) years from and after Date of Passage.

Alderman  _____

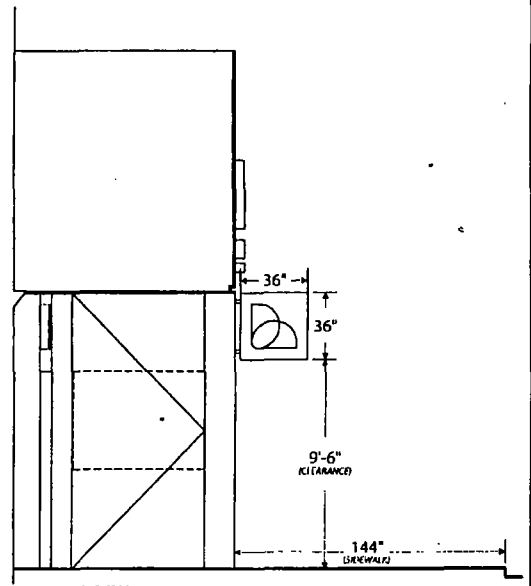
Michele Smith 43rd Ward

BLADE SIGN SKETCH

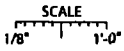
State Farm Insurance
BLADE SIGN RIGHT OF WAY



FRONT VIEW



SIDE VIEW



CONCEPTUAL ARTWORK ONLY

CUSTOMER ACCEPTANCE

THIS DRAWING IS THE PROPERTY OF CORPORATE SOLUTIONS, INC. IT IS NOT TO BE REPRODUCED OR TRANSMITTED IN ANY FORM OR BY ANY MEANS, ELECTRONIC OR MECHANICAL, INCLUDING PHOTOCOPYING, RECORDING, OR BY ANY INFORMATION STORAGE AND RETRIEVAL SYSTEM. THIS DRAWING IS FOR YOUR INFORMATION ONLY AND IS NOT TO BE USED FOR ANY OTHER PURPOSE. THE INFORMATION CONTAINED HEREIN IS NOT TO BE USED FOR ANY OTHER PURPOSE. THE INFORMATION CONTAINED HEREIN IS NOT TO BE USED FOR ANY OTHER PURPOSE. THE INFORMATION CONTAINED HEREIN IS NOT TO BE USED FOR ANY OTHER PURPOSE.

CUSTOMER	LOCATION	SHEET	DATE	NOTES
State Farm Insurance	858 West Cherry Place, Chicago, IL	02/02	3/15/11	
STORE #	CIS ACCOUNT REP	DRAWN BY	REVISION	SCALE
N/A	Mike Shelly	MH		1/8"=1'-0"

CUSTOMER ACCEPTANCE: _____ DATE: _____

CORPORATE ID: 10010000
1000 N. NORTHWEST HWY
CHICAGO, IL 60610
312-761-8000 / 773-261-0000



CORPORATEID.SOLUTIONS.COM



Department of Business Affairs and Consumer Protection
Business Assistance Center - Public Way Use Unit
City Hall - 121 N. LaSalle Street, Room 800 • Chicago, IL 60602
(312)-74-GOBIZ (312-744-6249) • (312) 744-1944 (TTY)
<http://www.cityofchicago.org/bacp>

07/28/2011

Alderman Michele Smith
Ward # 43
City of Chicago
City Hall, Room 300
121 North LaSalle Street
Chicago, Illinois 60602

Re: An ordinance to use and maintain a portion of the public right-of-way for **one (1) sign(s)** for **STATE FARM MUTUAL AUTOMOBILE INSURANCE COMPANY**, adjacent to the premises known as **659 W. Diversey Pkwy.**.

Dear Alderman **Michele Smith**:

The applicant referenced above has requested the use of the public right-of-way for a **sign(s)**. An ordinance has been prepared by the Department of Business Affairs and Consumer Protection – Business Assistance Center - Public Way Use Unit for presentation to the City Council. Because this request was made for properties located in your ward, as approved by you as per the attached, I respectfully request that you introduce the attached ordinance at the next City Council meeting.

If you have any questions regarding this ordinance, please contact John Mariane, Manager, Business Assistance Center - Public Way Use Unit, at (312) 744-2063.