



City of Chicago



O2013-7362

Office of the City Clerk

Document Tracking Sheet

Meeting Date:	9/11/2013
Sponsor(s):	Reilly, Brendan (42)
Type:	Ordinance
Title:	Grant(s) of privilege in public way for Sushi Samba - light fixtures
Committee(s) Assignment:	Committee on Transportation and Public Way

ORDINANCE
SUSHI SAMBA
Acct. No. 230209 - 1
Permit No. 1107461

Be It Ordained by the City Council of the City of Chicago:

SECTION 1. Permission and authority are hereby given and granted to SUSHI SAMBA, upon the terms and subject to the conditions of this ordinance to maintain and use, as now constructed, five (5) Light Fixture(s) projecting over the public right-of-way adjacent to its premises known as 504 N. Wells St..

Said Light Fixture(s) at N. Wells St. measure(s):

Five (5) at eight (8) feet in length, one point five eight (1.58) foot in width and nine point four two (9.42) feet above grade level.

The location of said privilege shall be as shown on prints kept on file with the Department of Business Affairs and Consumer Protection and the Office of the City Clerk.

Said privilege shall be constructed in accordance with plans and specifications approved by the Department of Transportation (Division of Project Development).

This grant of privilege in the public way shall be subject to the provisions of Section 10-28-015 and all other required provisions of the Municipal Code of Chicago.

The grantee shall pay to the City of Chicago as compensation for the privilege #1107461 herein granted the sum of ninety-five (\$95.00) per annum in advance.

A 25% penalty will be added for payments received after due date.

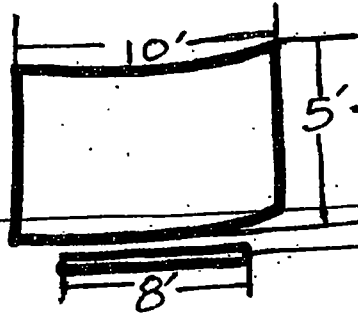
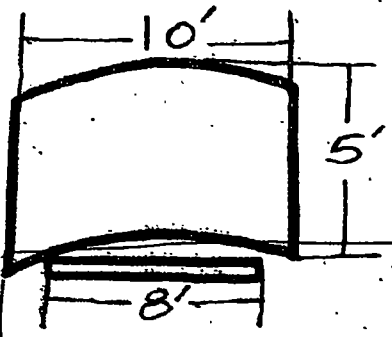
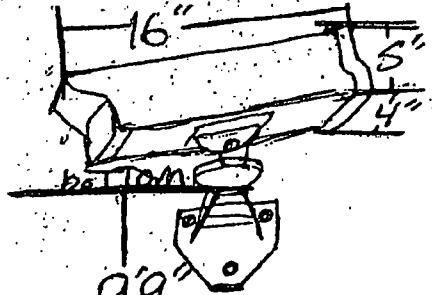
The permit holder agrees to hold the City of Chicago harmless for any damage, relocation or replacement costs associated with damage, relocation or removal of private property caused by the City performing work in the public way.

Authority herein given and granted for a period of five (5) years ~~from~~ and after 06/11/2013.

Alderman _____

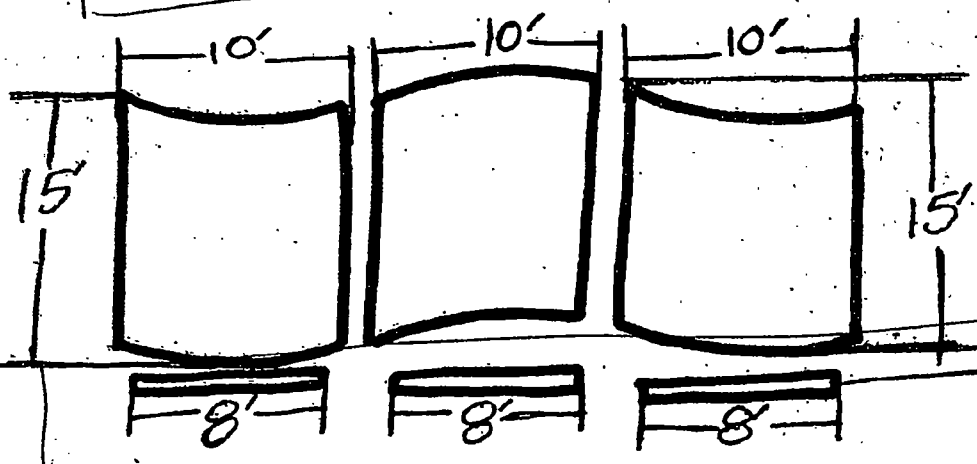
Brendan Reilly 42nd Ward

security camera

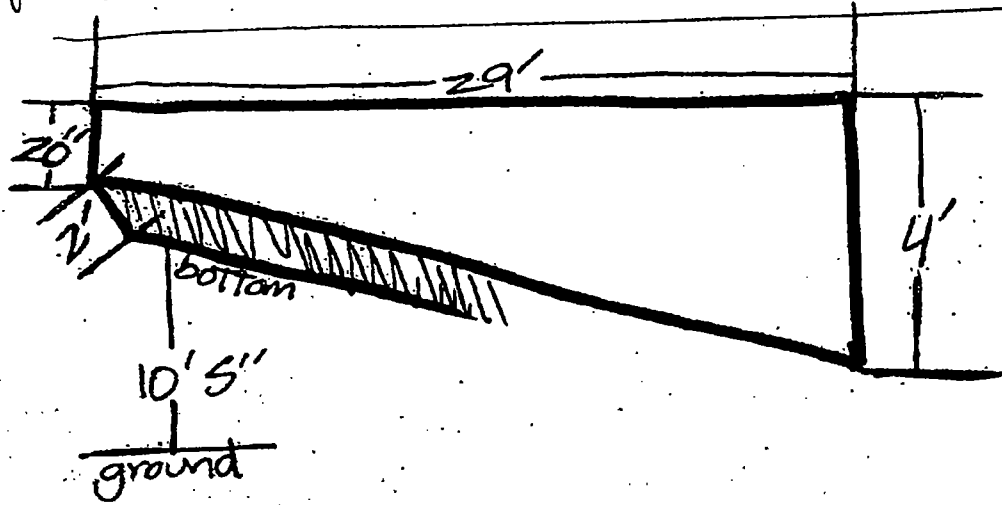


ground

light fixture



Light Fixture



Projection view from above

