



Office of the City Clerk



O2012-7688

Office of the City Clerk

City Council Document Tracking Sheet

Meeting Date: 10/31/2012

Sponsor(s): Suarez, Regner Ray (31)

Type: Ordinance

Title: Grant(s) of privilege in public way for Cozy Corner Diner & Pancake House

Committee(s) Assignment: Committee on Transportation and Public Way

ORDINANCE
COZY CORNER DINER & PANCAKE HOUSE
Acct. No. 265355 - 1
Permit No. 1103258

Be It Ordained by the City Council of the City of Chicago:

SECTION 1. Permission and authority are hereby given and granted to COZY CORNER DINER & PANCAKE HOUSE, upon the terms and subject to the conditions of this ordinance to maintain and use one (1) sign(s) projecting over the public right-of-way attached to its premises known as 4356 W. Diversey Ave..

Said sign structure(s) measures as follows; along WEST DIVERSEY:
One (1) at ten (10) feet in length, six (6) feet in height and sixteen (16) feet above grade level.

The location of said privilege shall be as shown on prints kept on file with the Department of Business Affairs and Consumer Protection and the Office of the City Clerk.

Said privilege shall be constructed in accordance with plans and specifications approved by the Department of Transportation (Division of Project Development) and Zoning Department - Signs.

This grant of privilege in the public way shall be subject to the provisions of Section 10-28-015 and all other required provisions of the Municipal Code of Chicago.

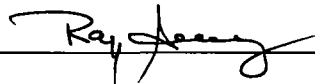
The grantee shall pay to the City of Chicago as compensation for the privilege #1103258 herein granted the sum of three hundred (\$300.00) per annum in advance.

A 25% penalty will be added for payments received after due date.

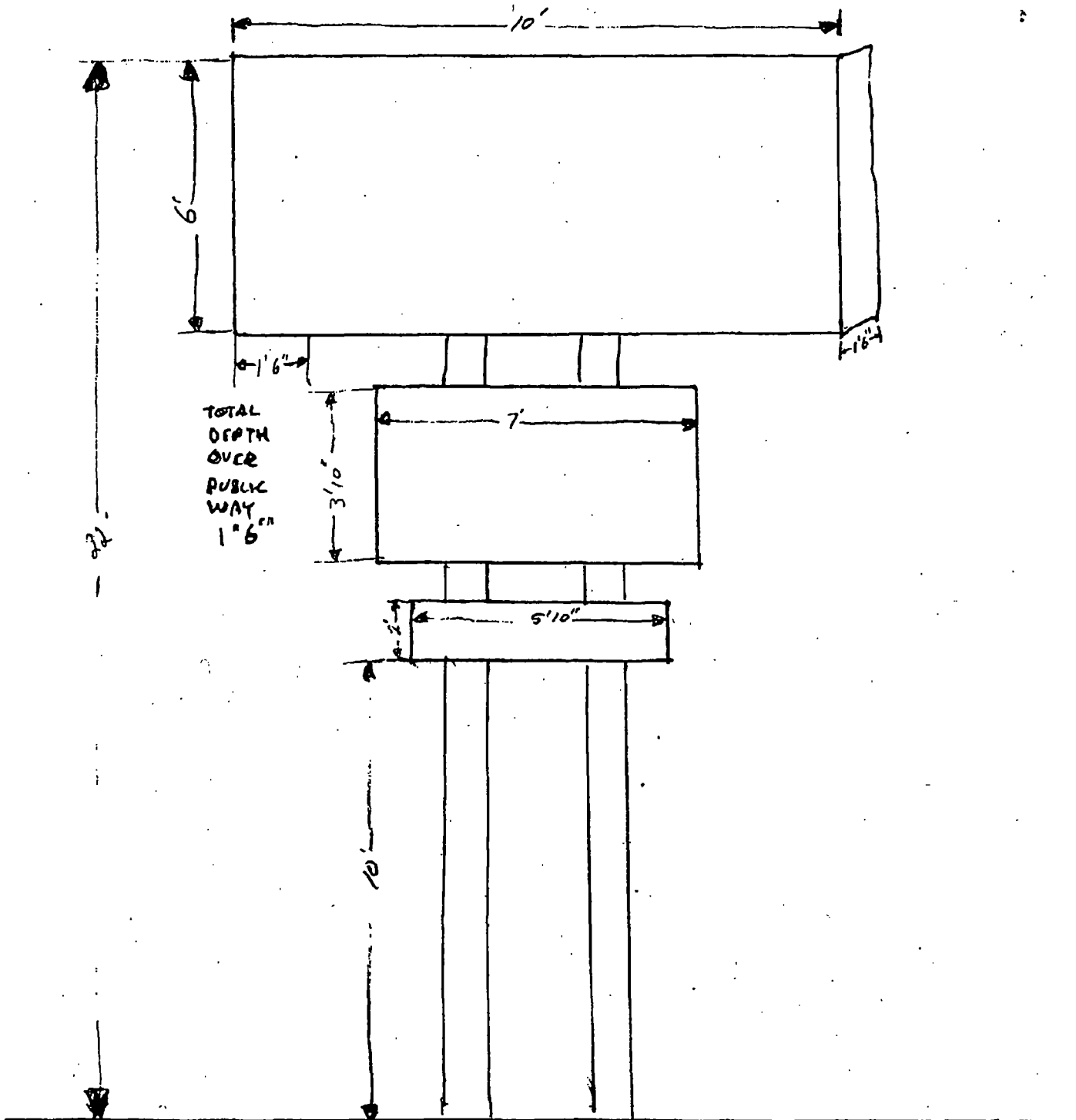
The permit holder agrees to hold the City of Chicago harmless for any damage, relocation or replacement costs associated with damage, relocation or removal of private property caused by the City performing work in the public way.

Authority herein given and granted for a period of five (5) years from and after 09/27/2012.

Alderman



Ray Suarez 31st Ward



TOTAL
DEPTH
OVER
PUBLIC
WAY
1'6"

SIDWALK



10/31/2012

Alderman **Ray Suarez**
Ward # **31**
City of Chicago
City Hall, Room **203**
121 North LaSalle Street
Chicago, Illinois 60602

Re: An ordinance to use and maintain a portion of the public right-of-way for **one (1) sign(s)** for **COZY CORNER DINER & PANCAKE HOUSE**, adjacent to the premises known as **4356 W. Diversey Ave.**.

Dear Alderman **Ray Suarez**:

The applicant referenced above has requested the use of the public right-of-way for a **sign(s)**. An ordinance has been prepared by the Department of Business Affairs and Consumer Protection – Business Assistance Center - Public Way Use Unit for presentation to the City Council. Because this request was made for properties located in your ward, as approved by you as per the attached, I respectfully request that you introduce the attached ordinance at the next City Council meeting.

If you have any questions regarding this ordinance, please contact Anthony Bertuca at (312) 744-5506.

Department of Business Affairs and Consumer Protection