



City of Chicago



O2014-3556

Office of the City Clerk

Document Tracking Sheet

Meeting Date:	4/30/2014
Sponsor(s):	Waguespack (32)
Type:	Ordinance
Title:	Awning(s) for Rapidito
Committee(s) Assignment:	Committee on Transportation and Public Way

Sign 1 AWNING



(Bridgeport)
Chicago, IL

3401 S. Halsted St.
Chicago, IL 60608
773-847-2828
Fax 773-847-0088



SIGN ELEVATION
EXHIBIT

Address: 1855 W Diversey

City: Chicago, IL

Account Rep: K. WONG

SALES REP: K. WONG

Design No.:

DATE: 01-03-12

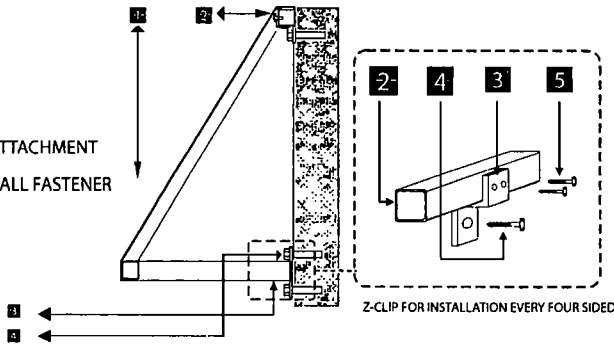
Rev Date:

2:4

The purchaser agrees to hold the seller harmless against any cause for action for damage which may occur as a result of drilling for piers and foundations, including but not limited to sewer, gas lines or any underground obstacles which the purchaser or others may deem valuable.

SPECIFICATIONS

- 1 Awning Fabric Material
- 2 1"X 1" SQUARE TUBE FRAME
- 3 3/16" GALVANIZED STEEL Z-CLIP ATTACHMENT
- 4 APPROPRIATE NON-CORROSIVE WALL FASTENER SEE MOUNTING OPTION DETAILS
- 5 #12 TEK SCREW



COLOR SCHEDULE

- White
- R-195

MOUNTING DETAIL

Thru-Bolt Mounting

Hanger Bolts

Reverse Toggle-Bolt Mounting

Masonry Lag Bolt Mounting



04/30/2014

Alderman **Scott Waguespack**
Ward # **32**
City of Chicago
City Hall, Room **300**
121 North LaSalle Street
Chicago, Illinois 60602

Re: An ordinance to use and maintain a portion of the public right-of-way for **one (1) awning(s)** for **RAPIDITO**, adjacent to the premises known as **1855 W. Diversey Pkwy.**

Dear Alderman **Scott Waguespack**:

The applicant referenced above has requested the use of the public right-of-way for a **awning(s)**. An ordinance has been prepared by the Department of Business Affairs and Consumer Protection – Small Business Center - Public Way Use Unit for presentation to the City Council. Because this request was made for properties located in your ward, as approved by you as per the attached, I respectfully request that you introduce the attached ordinance at the next City Council meeting.

If you have any questions regarding this ordinance, please contact Anthony Bertuca at (312) 744-5506.

Department of Business Affairs and Consumer Protection