



City of Chicago



O2019-9607

Office of the City Clerk

Document Tracking Sheet

Meeting Date:	12/18/2019
Sponsor(s):	Hopkins (2)
Type:	Ordinance
Title:	Grant(s) of privilege in public way for Ringo
Committee(s) Assignment:	Committee on Transportation and Public Way

ORDINANCE
RINGO
Acct. No. 49361 - 3
Permit No. 1143304

Be It Ordained by the City Council of the City of Chicago:

SECTION 1. Permission and authority are hereby given and granted to RINGO, upon the terms and subject to the conditions of this ordinance to construct, install, maintain and use three (3) Light Fixture(s) projecting over the public right-of-way adjacent to its premises known as 1441 W. Fullerton Ave..

Said Light Fixture(s) at W Fullerton Ave measure(s):

Three (3) at one (1) foot in length, point seven five (.75) feet in width and fourteen (14) feet above grade level.

The location of said privilege shall be as shown on prints kept on file with the Department of Business Affairs and Consumer Protection and the Office of the City Clerk.

Said privilege shall be constructed in accordance with plans and specifications approved by the Department of Transportation (Division of Project Development).

This grant of privilege in the public way shall be subject to the provisions of Section 10-28-015 and all other required provisions of the Municipal Code of Chicago.

The grantee shall pay to the City of Chicago as compensation for the privilege #1143304 herein granted the sum of eighty-five (\$85.00) per annum in advance.

A 25% penalty will be added for payments received after due date.

The permit holder agrees to hold the City of Chicago harmless for any damage, relocation or replacement costs associated with damage, relocation or removal of private property caused by the City performing work in the public way.

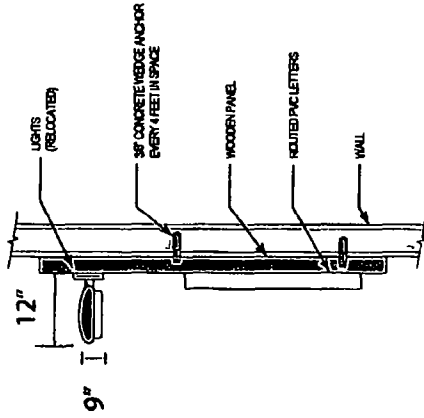
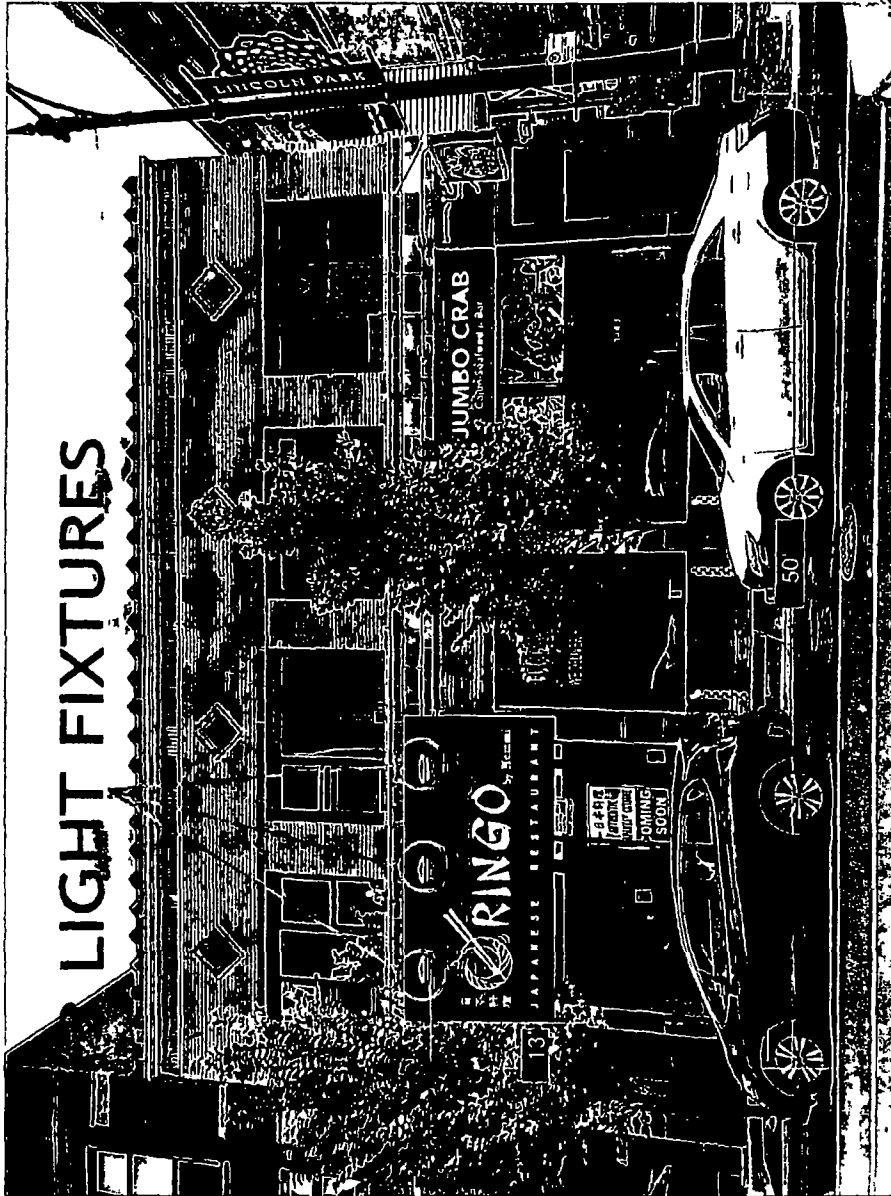
Authority herein given and granted for a period of five (5) years from and after Date of Passage.

Alderman _____





Brian Hopkins 2nd Ward

LIGHT FIXTURES



NOTE Color output may not be exact when viewing or printing this drawing. All colors used are PMS or the closest CMYK

NOTE Elevation drawings are for customer approval only, drawings are not to be used as any installation guide, all dimensions must be verified before installation

	<p>Client Name Ringo</p> <p>Location 1443 W Fullerton Ave Chicago IL 60614</p>	<p>Start Date 09/18/19</p> <p>Last Revision</p> <p>Job#</p> <p>Drawing#</p> <p>Page 2/5</p>	<p>Client Approval</p> <p>Landlord Approval</p>	<p>Sales Rep kw</p> <p>Designer Simon L</p> 
---	--	---	---	---



Department of Business Affairs and Consumer Protection
Small Business Center - Public Way Use Unit
City Hall - 121 N. LaSalle Street, Room 800 • Chicago, IL 60602
312-74-GOBIZ / 312-744-6249 • (312) 744-1944 (TTY)
<http://www.cityofchicago.org/bacp>

12/18/2019

Alderman Brian Hopkins
Ward # 02
City of Chicago
City Hall, Room 200
121 North LaSalle Street
Chicago, Illinois 60602

Re: An ordinance to use and maintain a portion of the public right-of-way for **three (3) light fixture(s)** for **RINGO**, adjacent to the premises known as **1441 W. Fullerton Ave.**.

Dear Alderman **Brian Hopkins**:

The applicant referenced above has requested the use of the public right-of-way for a **light fixture(s)**. An ordinance has been prepared by the Department of Business Affairs and Consumer Protection – Small Business Center - Public Way Use Unit for presentation to the City Council. Because this request was made for properties located in your ward, as approved by you as per the attached, I respectfully request that you introduce the attached ordinance at the next City Council meeting.

If you have any questions regarding this ordinance, please contact Anthony Bertuca at (312) 744-5506.

Department of Business Affairs and Consumer Protection