



Office of the Chicago City  
Clerk



O2011-9297

Office of the City Clerk

City Council Document Tracking Sheet

<b>Meeting Date:</b>	11/2/2011
<b>Sponsor(s):</b>	Pawar, Ameya (47)
<b>Type:</b>	Ordinance
<b>Title:</b>	Grant(s) of Privilege in Public Way for Aroy Thai Restaurant
<b>Committee(s) Assignment:</b>	Committee on Transportation and Public Way

ORDINANCE  
AROY THAI RESTAURANT  
Acct. No. 268419 - 1  
Permit No. 1098419

*Be It Ordained by the City Council of the City of Chicago:*

SECTION 1. Permission and authority are hereby given and granted to AROY THAI RESTAURANT, upon the terms and subject to the conditions of this ordinance to maintain and use, as now constructed, two (2) Light Fixture(s) projecting over the public right-of-way adjacent to its premises known as 4654 N. Damen Ave..

Said Light Fixture(s) at N. DAMEN measure(s):

Two (2) at point nine (.9) feet in length, three (3) feet in width and ten point four (10.4) feet above grade level.

The location of said privilege shall be as shown on prints kept on file with the Department of Business Affairs and Consumer Protection and the Office of the City Clerk.

Said privilege shall be constructed in accordance with plans and specifications approved by the Department of Transportation (Division of Project Development).

This grant of privilege in the public way shall be subject to the provisions of Section 10-28-015 and all other required provisions of the Municipal Code of Chicago.

The grantee shall pay to the City of Chicago as compensation for the privilege #1098419 herein granted the sum of eighty (\$80.00) per annum in advance.

A 25% penalty will be added for payments received after due date.

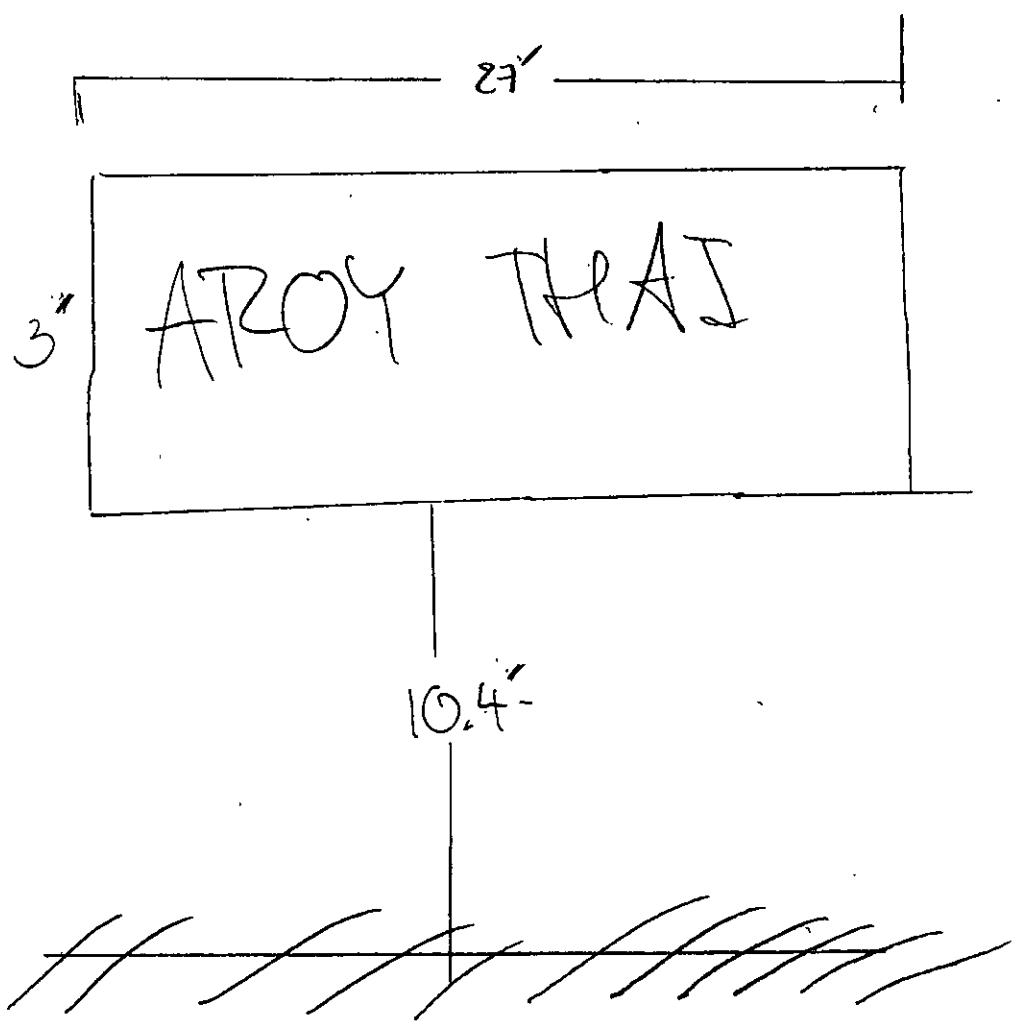
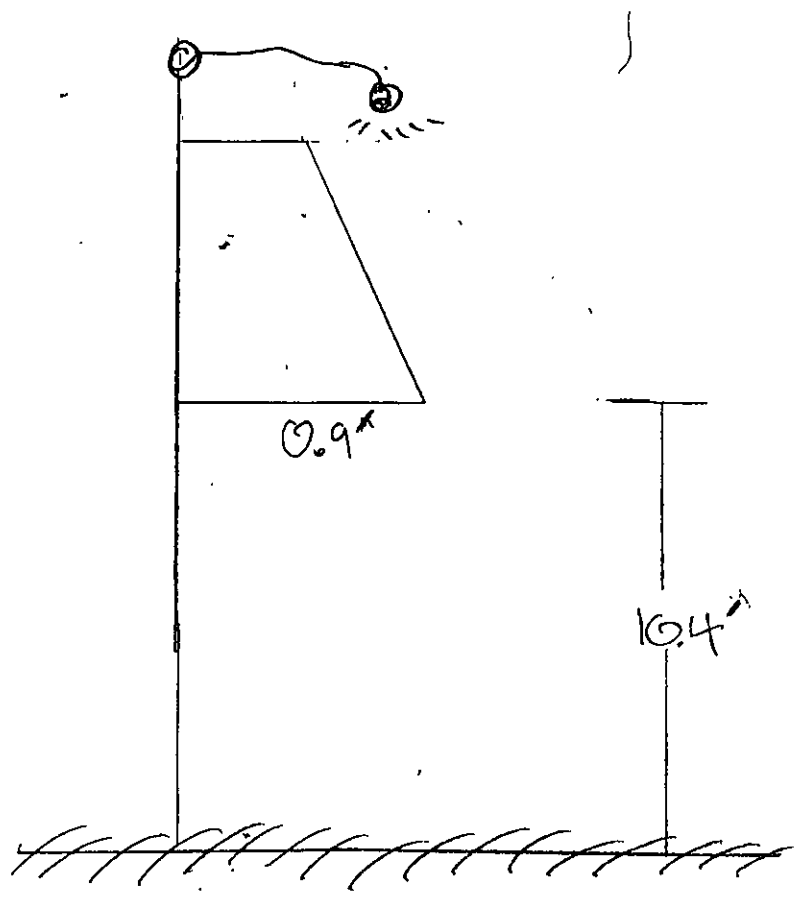
The permit holder agrees to hold the City of Chicago harmless for any damage, relocation or replacement costs associated with damage, relocation or removal of private property caused by the City performing work in the public way.

Authority herein given and granted for a period of five (5) years from and after 11/01/2011.

Alderman



Armea Pawar 47th Ward





**11/02/2011**

**Alderman Ameya Pawar**  
Ward # 47  
City of Chicago  
City Hall, Room 300  
121 North LaSalle Street  
Chicago, Illinois 60602

Re: An ordinance to use and maintain a portion of the public right-of-way for **two (2) light fixture(s)** for **AROY THAI RESTAURANT**, adjacent to the premises known as **4654 N. Damen Ave.**.

Dear Alderman **Ameya Pawar**:

The applicant referenced above has requested the use of the public right-of-way for a **light fixture(s)**. An ordinance has been prepared by the Department of Business Affairs and Consumer Protection – Business Assistance Center - Public Way Use Unit for presentation to the City Council. Because this request was made for properties located in your ward, as approved by you as per the attached, I respectfully request that you introduce the attached ordinance at the next City Council meeting.

If you have any questions regarding this ordinance, please contact Anthony Bertuca at (312) 744-5506.

**Department of Business Affairs and Consumer Protection**