



City of Chicago



O2016-2895

Office of the City Clerk

Document Tracking Sheet

Meeting Date:	4/13/2016
Sponsor(s):	Tunney (44)
Type:	Ordinance
Title:	Awning(s) for Blackwood BBQ
Committee(s) Assignment:	Committee on Transportation and Public Way

ORDINANCE
BLACKWOOD BBQ
Acct. No. 381102 - 6
Permit No. 1120314

Be It Ordained by the City Council of the City of Chicago:

SECTION 1. Permission and authority are hereby given and granted to BLACKWOOD BBQ, upon the terms and subject to the conditions of this ordinance to construct, install, maintain and use six (6) Awning(s) projecting over the public right-of-way adjacent to its premises known as 962 W. Belmont Ave..

Said Awning(s) at Sheffield measure(s):

Five (5) at seven point two five (7.25) feet in length, and two (2) feet in width for a total of seventy-two point five (72.5) square feet.

Said Awning(s) at Belmont measure(s):

One (1) at thirty (30) feet in length, and two (2) feet in width for a total of sixty (60) square feet.

The location of said privilege shall be as shown on prints kept on file with the Department of Business Affairs and Consumer Protection and the Office of the City Clerk.

Said privilege shall be constructed in accordance with plans and specifications approved by the Zoning Department - Signs.

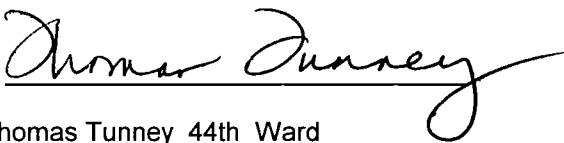
This grant of privilege in the public way shall be subject to the provisions of Section 10-28-015 and all other required provisions of the Municipal Code of Chicago.

The grantee shall pay to the City of Chicago as compensation for the privilege #1120314 herein granted the sum of one hundred seventy-five (\$175.00) per annum in advance.

A 25% penalty will be added for payments received after due date.

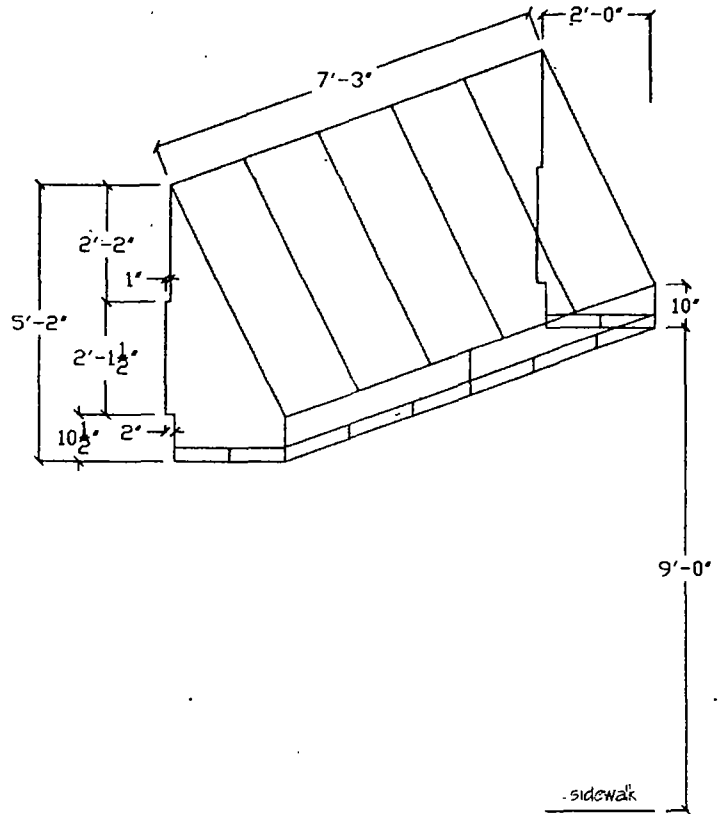
The permit holder agrees to hold the City of Chicago harmless for any damage, relocation or replacement costs associated with damage, relocation or removal of private property caused by the City performing work in the public way.

Authority herein given and granted for a period of five (5) years from and after Date of Passage.

Alderman 
Thomas Tunney 44th Ward

6 Traditional style stationary awnings with full end wings and stationary valance manufactured complete and installed over the south and west face storefront. Frames made of 1" sq and 1/2" rd welded galvanized steel tubing. Fabric attached by the lace-on method, using Sunbrella material #4684 Slate.

- Awning sizes: (2) AS SHOWN
 - (3) 7'-3" w x 5'-2" h x 2'-0" out
 - (1) 30'-3" w x 5'-2" h x 2'-0" out



2801 Central St Evanston, IL 60201
847-864-4520

By signing this drawing you are agreeing with the proportionate shape and sizes indicated, fabric color and pattern, and proportionate graphics for the awning you have contracted to purchase from I. A.C. This image belongs to E.A.C. and cannot be reproduced or used for alternate purposes.

Sign as approved for manufacturing

Date

Job: Blackwood BBQ
962 W. Belmont Ave.
Chicago, IL
Contact: Stephanie Simpson
Scale: 3/8" = 1'-0"
Date: 10 - 5 - 2015