



# City of Chicago



O2017-8056

Office of the City Clerk

## Document Tracking Sheet

<b>Meeting Date:</b>	11/8/2017
<b>Sponsor(s):</b>	Mell (33)
<b>Type:</b>	Ordinance
<b>Title:</b>	Grant(s) of privilege in public way for North River Commission - bicycle rack - 3118 W Montrose Ave
<b>Committee(s) Assignment:</b>	Committee on Transportation and Public Way

ORDINANCE  
NORTH RIVER COMMISSION  
Acct. No. 386597 - 7  
Permit No. 1129883

*Be It Ordained by the City Council of the City of Chicago:*

SECTION 1. Permission and authority are hereby given and granted to NORTH RIVER COMMISSION, upon the terms and subject to the conditions of this ordinance to construct, install, maintain and use one (1) Bicycle Rack(s) on the public right-of-way adjacent to its premises known as 3118 W. Montrose Ave..

Said Bicycle Rack(s) at W. Montrose Avenue measure(s):  
One (1) at two (2) feet in length, and point five (.5) feet in width for a total of one (1) square feet.

The location of said privilege shall be as shown on prints kept on file with the Department of Business Affairs and Consumer Protection and the Office of the City Clerk.

Said privilege shall be constructed in accordance with plans and specifications approved by the Department of Planning and Development and Department of Transportation (Division of Project Development).

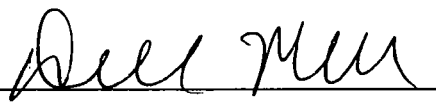
This grant of privilege in the public way shall be subject to the provisions of Section 10-28-015 and all other required provisions of the Municipal Code of Chicago.

The grantee shall pay to the City of Chicago as compensation for the privilege #1129883 herein granted the sum of zero (\$.00) per annum in advance.

A 25% penalty will be added for payments received after due date.

The permit holder agrees to hold the City of Chicago harmless for any damage, relocation or replacement costs associated with damage, relocation or removal of private property caused by the City performing work in the public way.

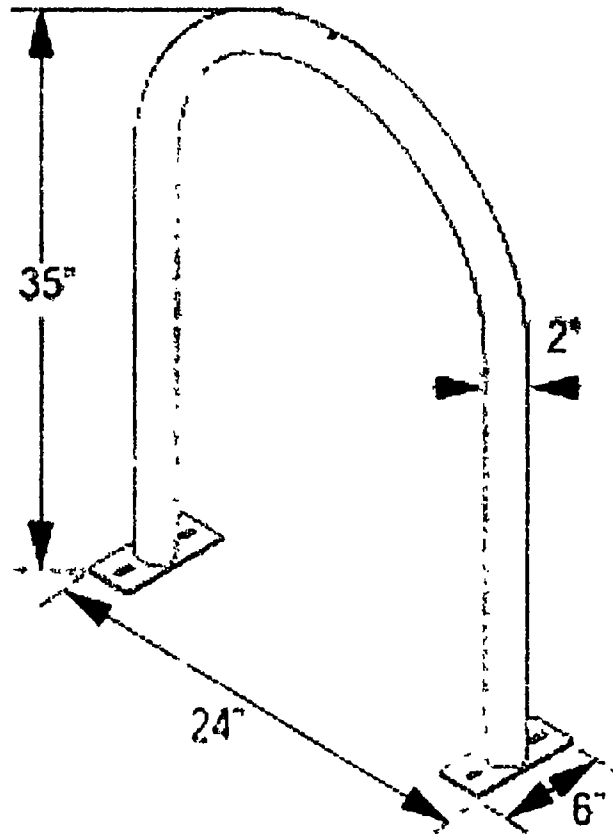
Authority herein given and granted for a period of five (5) years from and after Date of Passage.

Alderman   
Deborah Mell 33rd Ward

North River Commission  
PWU Grant of Privilege  
3403 W Lawrence Ave, Ste 201  
Chicago, IL

Location of bike racks  
3118 W Montrose Ave,  
Chicago, IL 60618

Quantity 1





Department of Business Affairs and Consumer Protection  
Small Business Center - Public Way Use Unit  
City Hall - 121 N. LaSalle Street, Room 800 • Chicago, IL 60602  
312-74-GOBIZ / 312-744-6249 • (312) 744-1944 (TTY)  
<http://www.cityofchicago.org/bacp>

**11/08/2017**

Alderman **Deborah Mell**  
Ward # **33**  
City of Chicago  
City Hall, Room **200**  
121 North LaSalle Street  
Chicago, Illinois 60602

Re: An ordinance to use and maintain a portion of the public right-of-way for **one (1) bicycle rack(s)** for **NORTH RIVER COMMISSION**, adjacent to the premises known as **3118 W. Montrose Ave.**

Dear Alderman **Deborah Mell**:

The applicant referenced above has requested the use of the public right-of-way for a **bicycle rack(s)**. An ordinance has been prepared by the Department of Business Affairs and Consumer Protection – Small Business Center - Public Way Use Unit for presentation to the City Council. Because this request was made for properties located in your ward, as approved by you as per the attached, I respectfully request that you introduce the attached ordinance at the next City Council meeting.

If you have any questions regarding this ordinance, please contact Anthony Bertuca at (312) 744-5506.

**Department of Business Affairs and Consumer Protection**