



City of Chicago



O2017-6532

Office of the City Clerk

Document Tracking Sheet

Meeting Date:	9/6/2017
Sponsor(s):	Waguespack (32)
Type:	Ordinance
Title:	Awning(s) for Logan Square Building
Committee(s) Assignment:	Committee on Transportation and Public Way

ORDINANCE
Logan Square Building
Acct. No. 319898 - 1
Permit No. 1129392

Be It Ordained by the City Council of the City of Chicago:

SECTION 1. Permission and authority are hereby given and granted to Logan Square Building, upon the terms and subject to the conditions of this ordinance to maintain and use, as now constructed, six (6) Awning(s) projecting over the public right-of-way adjacent to its premises known as 3103-13 W. Logan Blvd..

Said Awning(s) at Logan Blvd measure(s):

One (1) at ten point nine two (10.92) feet in length, and five point one five (5.15) feet in width for a total of fifty-six point two four (56.24) square feet.

Said Awning(s) at Logan Blvd measure(s):

One (1) at eight point nine two (8.92) feet in length, and five point one five (5.15) feet in width for a total of forty-five point nine four (45.94) square feet.

Said Awning(s) at Logan Blvd measure(s):

One (1) at ten point zero four (10.04) feet in length, and five point one five (5.15) feet in width for a total of fifty-one point seven one (51.71) square feet.

Said Awning(s) at Logan Blvd measure(s):

One (1) at ten point three three (10.33) feet in length, and five point one five (5.15) feet in width for a total of fifty-three point two (53.2) square feet.

Said Awning(s) at Logan Blvd measure(s):

One (1) at fifteen point six (15.6) feet in length, and five point one five (5.15) feet in width for a total of eighty point three four (80.34) square feet.

Said Awning(s) at Logan Blvd measure(s):

One (1) at fifteen point three one (15.31) feet in length, and five point one five (5.15) feet in width for a total of seventy-eight point eight five (78.85) square feet.

The location of said privilege shall be as shown on prints kept on file with the Department of Business Affairs and Consumer Protection and the Office of the City Clerk.

Said privilege shall be constructed in accordance with plans and specifications approved by the Zoning Department - Signs.

This grant of privilege in the public way shall be subject to the provisions of Section 10-28-015 and all other required provisions of the Municipal Code of Chicago.

The grantee shall pay to the City of Chicago as compensation for the privilege #1129392 herein granted the sum of one hundred seventy-five (\$175.00) per annum in advance

A 25% penalty will be added for payments received after due date.

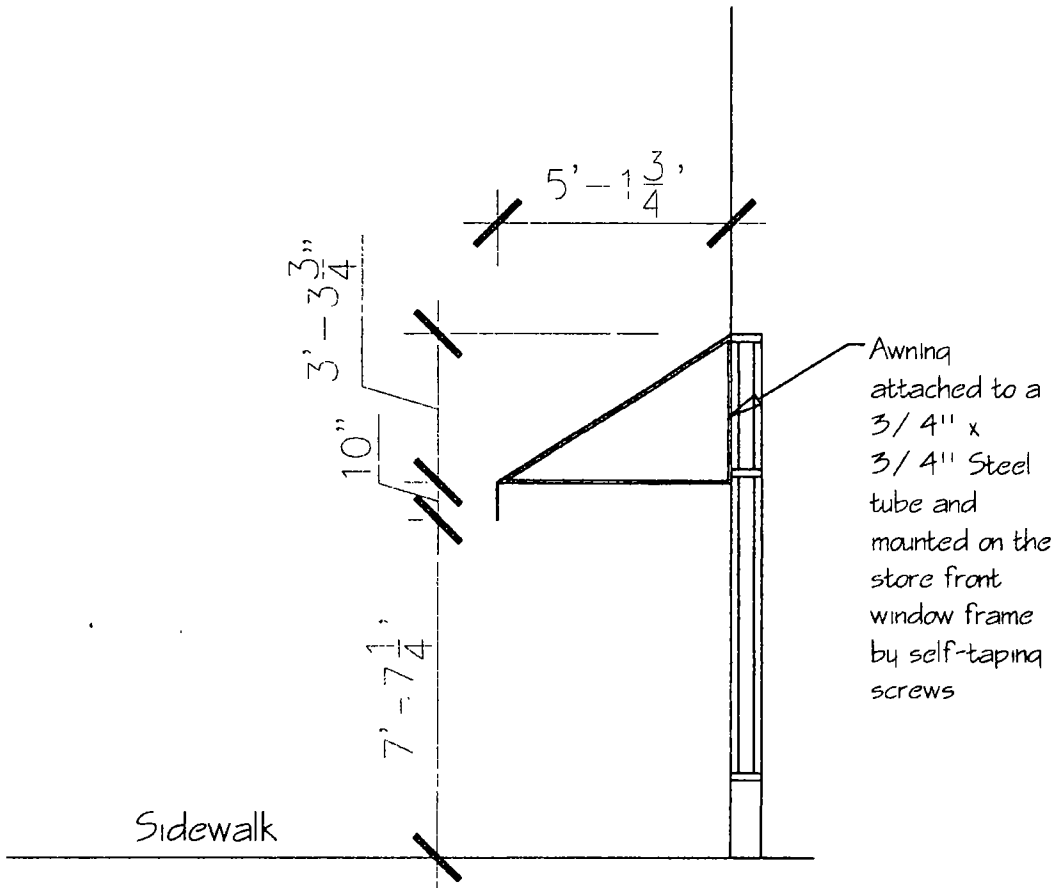
The permit holder agrees to hold the City of Chicago harmless for any damage, relocation or replacement costs associated with damage, relocation or removal of private property caused by the City performing work in the public way.

Authority herein given and granted for a period of five (5) years from and after 09/05/2017

Alderman _____

Scott Waguespack 32nd Ward

A handwritten signature in black ink, reading "Scott Waguespack", written over a horizontal line.



3103-3113 W Logan Blvd

Awnings

Scale $1/4" = 1'-0"$



09/06/2017

Alderman **Scott Waguespack**
Ward # 32
City of Chicago
City Hall, Room 300
121 North LaSalle Street
Chicago, Illinois 60602

Re: An ordinance to use and maintain a portion of the public right-of-way for **six (6) awning(s)** for **Logan Square Building**, adjacent to the premises known as **3103-13 W. Logan Blvd.**.

Dear Alderman **Scott Waguespack**:

The applicant referenced above has requested the use of the public right-of-way for a **awning(s)**. An ordinance has been prepared by the Department of Business Affairs and Consumer Protection – Small Business Center - Public Way Use Unit for presentation to the City Council. Because this request was made for properties located in your ward, as approved by you as per the attached, I respectfully request that you introduce the attached ordinance at the next City Council meeting.

If you have any questions regarding this ordinance, please contact Anthony Bertuca at (312) 744-5506.

Department of Business Affairs and Consumer Protection