



City of Chicago



O2020-4631

Office of the City Clerk

Document Tracking Sheet

Meeting Date: 10/1/2020

Sponsor(s): Coleman (16)

Type: Ordinance

Title: Grant(s) of privilege in public way for Grandma Marie's Learning Center

Committee(s) Assignment: Committee on Transportation and Public Way

Direct Intro
#16

ORDINANCE
GRANDMA MARIE'S LEARNING CENTER
Acct. No. 405686 - 1
Permit No. 1143128

Be It Ordained by the City Council of the City of Chicago:

SECTION 1. Permission and authority are hereby given and granted to GRANDMA MARIE'S LEARNING CENTER, upon the terms and subject to the conditions of this ordinance to maintain and use one (1) sign(s) projecting over the public right-of-way attached to its premises known as 5830 S. Western Ave..

Said sign structure(s) measures as follows; along S. WESTERN AVENUE:

One (1) at six (6) feet in length, seven (7) feet in height and thirteen (13) feet above grade level.

The location of said privilege shall be as shown on prints kept on file with the Department of Business Affairs and Consumer Protection and the Office of the City Clerk.

Said privilege shall be constructed in accordance with plans and specifications approved by the Department of Transportation (Division of Project Development) and Zoning Department - Signs.

This grant of privilege in the public way shall be subject to the provisions of Section 10-28-015 and all other required provisions of the Municipal Code of Chicago.

The grantee shall pay to the City of Chicago as compensation for the privilege #1143128 herein granted the sum of three hundred (\$300.00) per annum in advance.

A 25% penalty will be added for payments received after due date.

The permit holder agrees to hold the City of Chicago harmless for any damage, relocation or replacement costs associated with damage, relocation or removal of private property caused by the City performing work in the public way.

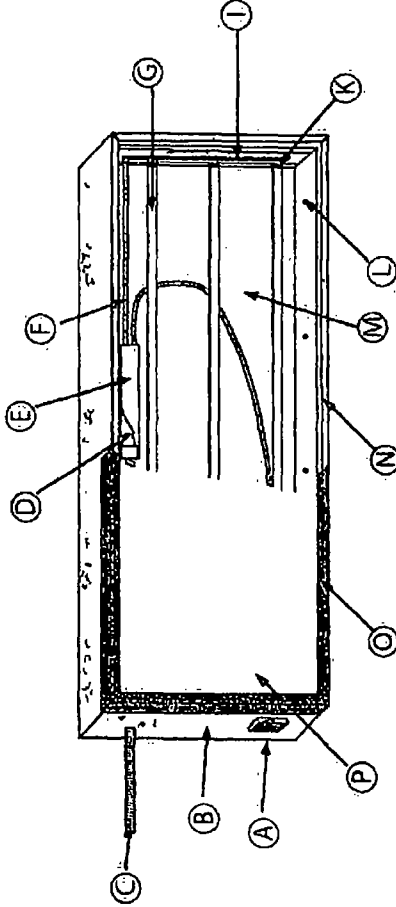
Authority herein given and granted for a period of five (5) years from and after Date of Passage.

Alderman _____

Stephanie D. Coleman 16th Ward

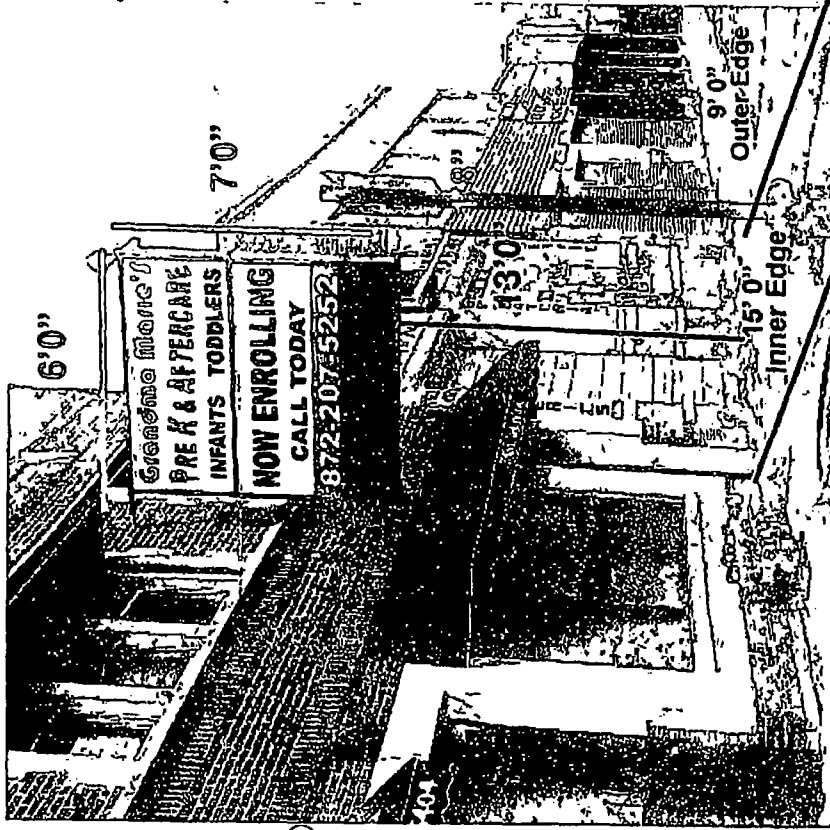
Internally Illuminated Box Sign

CROSS SECTION DETAIL



All electrical to be UL Listed

A	Listed disconnect switch
B	Aluminum slide
C	Primary electrical source
D	H O Ballast
E	Ballast box
F	1/2 greenfield
G	Flourescent Lamp
H	Wire way box
I	Socket
J	Weep Holes
K	3/16 White Lexon
L	1 1/2' x 1 1/2' x 1/8' Steel Angle
M	2 x 2' Aluminum Retainers
N	3/16 White Lexon
O	2 x 2' Aluminum Retainers
P	3/16 White Lexon



NOTE: Photo for representational purposes only. Signs are not to scale and may appear larger or smaller than shown.

Location	Description
East Elevation	EXISTING PROJECTING BOX ILLUMINATE SIGN
Address	WALL MOUNTED
5830 S Western Ave	VINYL LETTERING
Chicago, IL 60636	3/16 White LEXON FACES
	INTERNALLY ILLUMINATE WITH FLUOLAMPS
	READS: Grandma Marie's Pre-K & Aftercare
Date	Client
9-26-2019	Grandma Marie's Pre-K & Aftercare

Genera Contractor
PROIMAGE PROMOTIONS
 1547 W Chicago, Ave
 Chicago, IL 60642
 Tel 773 292 1111
 Fax 773 645 4169



Department of Business Affairs and Consumer Protection
Small Business Center - Public Way Use Unit
City Hall - 121 N. LaSalle Street, Room 800 • Chicago, IL 60602
312-74-GOBIZ / 312-744-6249 • (312) 744-1944 (TTY)
<http://www.cityofchicago.org/bacp>

09/09/2020

Alderman **Stephanie D. Coleman**
Ward # **16**
City of Chicago
City Hall, Room **300**
121 North LaSalle Street
Chicago, Illinois 60602

Re: An ordinance to use and maintain a portion of the public right-of-way for **one (1) sign(s)** for
GRANDMA MARIE'S LEARNING CENTER, adjacent to the premises known as **5830 S.**
Western Ave.

Dear Alderman **Stephanie D. Coleman**:

The applicant referenced above has requested the use of the public right-of-way for a **sign(s)**. An ordinance has been prepared by the Department of Business Affairs and Consumer Protection – Small Business Center - Public Way Use Unit for presentation to the City Council. Because this request was made for properties located in your ward, as approved by you as per the attached, I respectfully request that you introduce the attached ordinance at the next City Council meeting.

If you have any questions regarding this ordinance, please contact Anthony Bertuca at (312) 744-5506.

Department of Business Affairs and Consumer Protection