



Office of the City Clerk



O2012-5328

Office of the City Clerk

City Council Document Tracking Sheet

Meeting Date:	7/25/2012
Sponsor(s):	Reilly, Brendan (42)
Type:	Ordinance
Title:	Grant(s) of privilege in public way for M & R Development - sunscreens/sunshades
Committee(s) Assignment:	Committee on Transportation and Public Way

ORDINANCE
M & R DEVELOPMENT
Acct. No. 335655 - 3
Permit No. 1102074

Be It Ordained by the City Council of the City of Chicago:

SECTION 1. Permission and authority are hereby given and granted to M & R DEVELOPMENT, upon the terms and subject to the conditions of this ordinance to construct, install, maintain and use eleven (11) Sunscreen(s)/Sunshade(s) projecting over the public right-of-way adjacent to its premises known as 333 E. Ontario St..

Said Sunscreen(s)/Sunshade(s) at E. Ontario measure(s):

One (1) at forty-five (45) feet in length, and two point nine two (2.92) feet in width for a total of one hundred thirty-one point four (131.4) square feet.

Five (5) at twenty (20) feet in length, and two point nine two (2.92) feet in width for a total of two hundred ninety-two (292) square feet.

One (1) at sixty (60) feet in length, and two point nine two (2.92) feet in width for a total of one hundred seventy-five point two (175.2) square feet.

Said Sunscreen(s)/Sunshade(s) at E. Ontario & N. McClurg Ct measure(s):

One (1) at one hundred twenty-six (126) feet in length, and two point nine two (2.92) feet in width for a total of three hundred sixty-seven point nine two (367.92) square feet.

One (1) at one hundred thirty-nine (139) feet in length, and three (3) feet in width for a total of four hundred seventeen (417) square feet.

Said Sunscreen(s)/Sunshade(s) at E. Ohio measure(s):

One (1) at sixty-four (64) feet in length, and three (3) feet in width for a total of one hundred ninety-two (192) square feet.

One (1) at one hundred sixty-five (165) feet in length, and three (3) feet in width for a total of four hundred ninety-five (495) square feet.

Said propose sunscreens/sunshades shall be twelve (12) feet two (2) inches above grade level.

The location of said privilege shall be as shown on prints kept on file with the Department of Business Affairs and Consumer Protection and the Office of the City Clerk.

Said privilege shall be constructed in accordance with plans and specifications approved by the Department of Transportation (Division of Project Development).

This grant of privilege in the public way shall be subject to the provisions of Section 10-28-015 and all other required provisions of the Municipal Code of Chicago.

The grantee shall pay to the City of Chicago as compensation for the privilege #1102074 herein granted the sum of nine hundred ninety-nine (\$999.00) per annum in advance.

A 25% penalty will be added for payments received after due date.

The permit holder agrees to hold the City of Chicago harmless for any damage, relocation or replacement costs associated with damage, relocation or removal of private property caused by the City performing work in the public way.

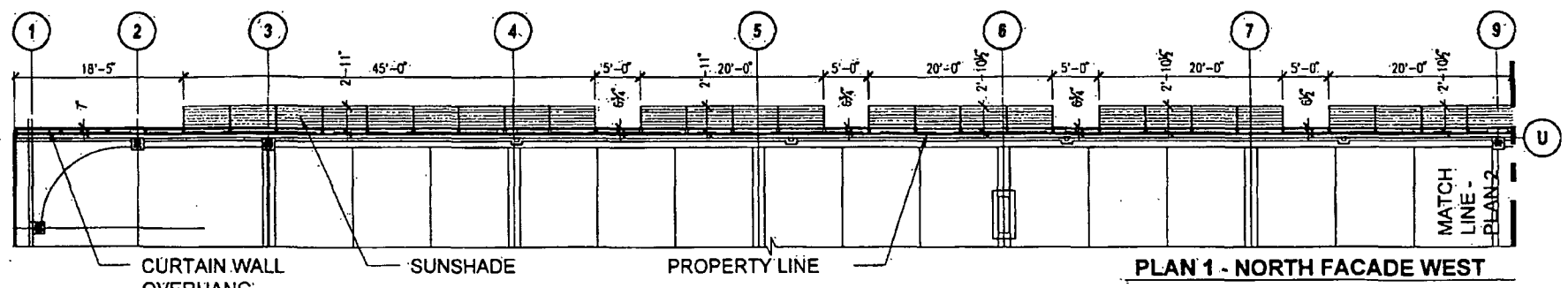
Authority herein given and granted for a period of five (5) years from and after Date of Passage.

Alderman

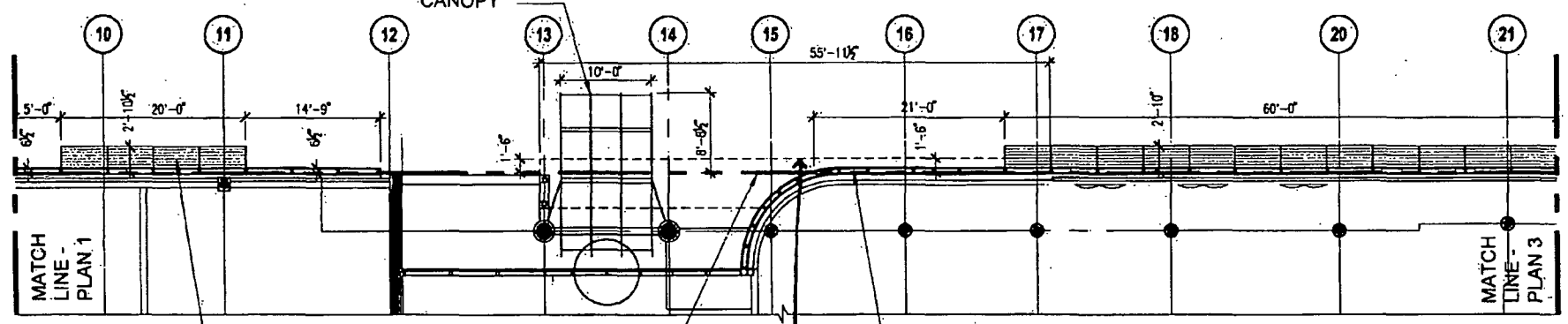

Brendan Reilly 42nd Ward

Page 1

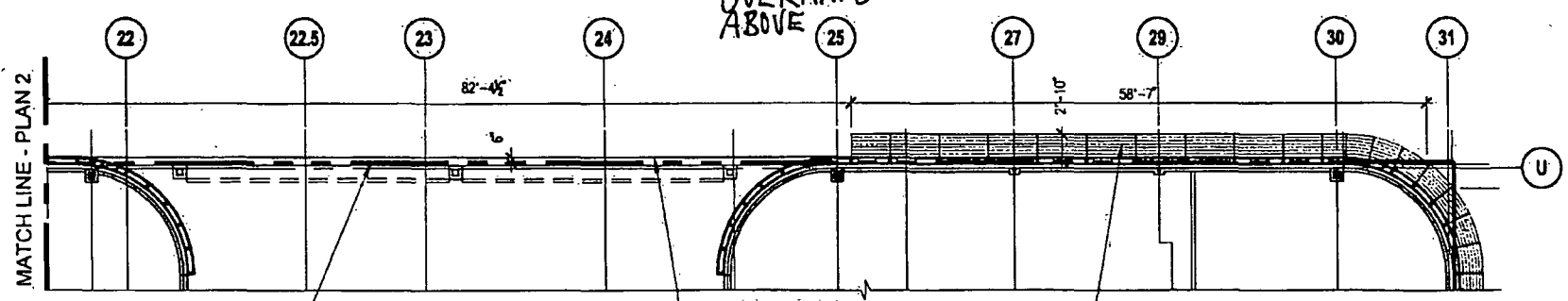
sunscreen



PLAN 1 - NORTH FACADE WEST



PLAN 2 - NORTH FACADE CENTER



PLAN 3 - NORTH FACADE EAST



© 2012 Solomon Cordwell Buenz

PROJECT NAME: 333 EAST ONTARIO STREET DATE: 5/25/2012 0' 18'

PROJECT NO.: 2011028 DTL./SHT. REF.: REV.:

DRAWING TITLE: ONTARIO ST. PUBLIC WAY USE SHEET 4 of 4

Architecture Planning Interior Design 625 N. Michigan Ave. Chicago, IL 60611 T 312.896.1100 F 312.896.1200