



City of Chicago



O2017-664

Office of the City Clerk

Document Tracking Sheet

Meeting Date:	1/25/2017
Sponsor(s):	Tunney (44)
Type:	Ordinance
Title:	Grant(s) of privilege in public way for Smoker's Zone
Committee(s) Assignment:	Committee on Transportation and Public Way

ORDINANCE
SMOKER'S ZONE
Acct. No. 314503 - 1
Permit No. 1124802

Be It Ordained by the City Council of the City of Chicago:

SECTION 1. Permission and authority are hereby given and granted to SMOKER'S ZONE, upon the terms and subject to the conditions of this ordinance to maintain and use one (1) sign(s) projecting over the public right-of-way attached to its premises known as 3326 N. Clark St..

Said sign structure(s) measures as follows; along N CLARK ST:

One (1) at thirteen (13) feet in length, one point three four (1.34) feet in height and eleven (11) feet above grade level.

The location of said privilege shall be as shown on prints kept on file with the Department of Business Affairs and Consumer Protection and the Office of the City Clerk.

Said privilege shall be constructed in accordance with plans and specifications approved by the Department of Transportation (Division of Project Development) and Zoning Department - Signs.


This grant of privilege in the public way shall be subject to the provisions of Section 10-28-015 and all other required provisions of the Municipal Code of Chicago.

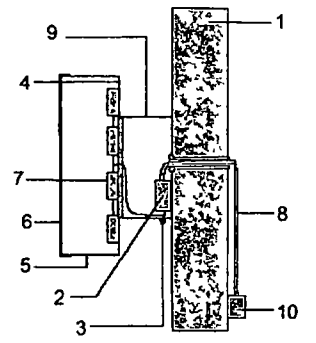
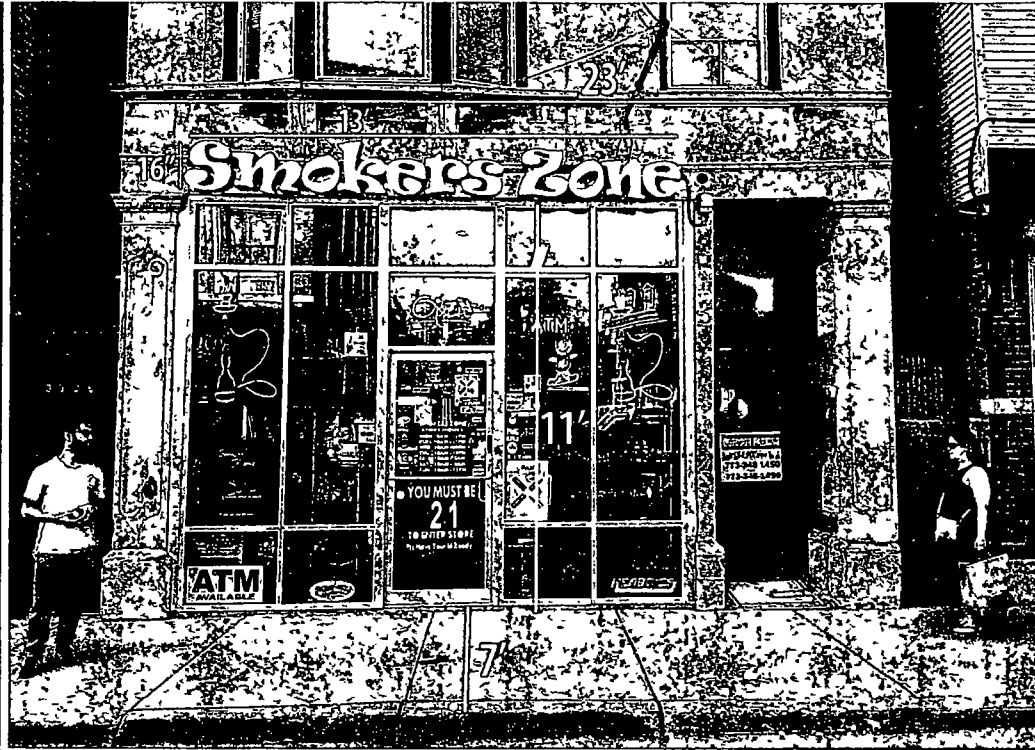
The grantee shall pay to the City of Chicago as compensation for the privilege #1124802 herein granted the sum of one hundred (\$100.00) per annum in advance.

A 25% penalty will be added for payments received after due date.

The permit holder agrees to hold the City of Chicago harmless for any damage, relocation or replacement costs associated with damage, relocation or removal of private property caused by the City performing work in the public way.

Authority herein given and granted for a period of five (5) years from and after Date of Passage.

Alderman 
Thomas Tunney 44th Ward

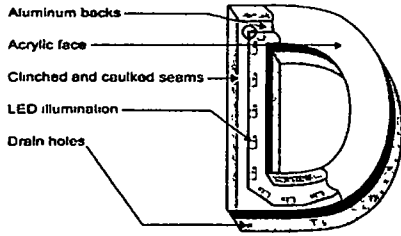


- 1 Building facade / Sign band
- 2 LED Transformer (UL)
Input 120VAC Output 12VDC/5A
- 3 Disconnect Safety Switch
- 4 0 040 Aluminum back
- 5 0 040 Aluminum return
- 6 Acrylic face
- 7 LED lamp
- 8 12G Electric wire with flexible condi
- 9 Raceway (color matches w/wall col
- 10 Power connection box

SIGNATURE

LANDLORD

TENANT



19.5 Sqf

Site Address	3326 N Clark St		
Sign Type	Channel Letters		
Physical Information	Face	Return	Trim
	Red	Red	Black

Client Smokers Zone	Drawing # 1
Approved _____	Date 10/5/2016

All sign and concepts shown here are confidential and are the property of Magic Sign Co. They are not to be distributed, copied or otherwise used without our written permission.

COMPUTER GENERATED COLORS ARE NOT A TRUE MATCH TO ANY PMS, VINYL OR PAINT





01/25/2017

Alderman Thomas Tunney
Ward # **44**
City of Chicago
City Hall, Room **300**
121 North LaSalle Street
Chicago, Illinois 60602

Re: An ordinance to use and maintain a portion of the public right-of-way for **one (1) sign(s)** for **SMOKER'S ZONE**, adjacent to the premises known as **3326 N. Clark St.**.

Dear Alderman **Thomas Tunney**:

The applicant referenced above has requested the use of the public right-of-way for a **sign(s)**. An ordinance has been prepared by the Department of Business Affairs and Consumer Protection – Small Business Center - Public Way Use Unit for presentation to the City Council. Because this request was made for properties located in your ward, as approved by you as per the attached, I respectfully request that you introduce the attached ordinance at the next City Council meeting.

If you have any questions regarding this ordinance, please contact Anthony Bertuca at (312) 744-5506.

Department of Business Affairs and Consumer Protection