



Office of the City Clerk



O2012-7488

Office of the City Clerk

City Council Document Tracking Sheet

Meeting Date:	10/31/2012
Sponsor(s):	Osterman, Harry (48)
Type:	Ordinance
Title:	Grant(s) of privilege in public way for Cricket Wireless
Committee(s) Assignment:	Committee on Transportation and Public Way

ORDINANCE
Cricket Wireless
Acct. No. 374354 - 1
Permit No. 1102915

Be It Ordained by the City Council of the City of Chicago:

SECTION 1. Permission and authority are hereby given and granted to Cricket Wireless, upon the terms and subject to the conditions of this ordinance to maintain and use one (1) sign(s) projecting over the public right-of-way attached to its premises known as 1121 W. Berwyn Ave..

Said sign structure(s) measures as follows; along W Berwyn Ave:

One (1) at twenty point four two (20.42) feet in length, three (3) feet in height and seventeen (17) feet above grade level.

The location of said privilege shall be as shown on prints kept on file with the Department of Business Affairs and Consumer Protection and the Office of the City Clerk.

Said privilege shall be constructed in accordance with plans and specifications approved by the Department of Transportation (Division of Project Development) and Zoning Department - Signs.

This grant of privilege in the public way shall be subject to the provisions of Section 10-28-015 and all other required provisions of the Municipal Code of Chicago.

The grantee shall pay to the City of Chicago as compensation for the privilege #1102915 herein granted the sum of three hundred (\$300.00) per annum in advance.

A 25% penalty will be added for payments received after due date.

The permit holder agrees to hold the City of Chicago harmless for any damage, relocation or replacement costs associated with damage, relocation or removal of private property caused by the City performing work in the public way.

Authority herein given and granted for a period of five (5) years from and after Date of Passage.

Alderman _____

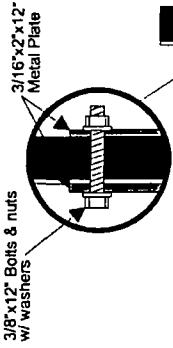


Harry Osterman 48th Ward

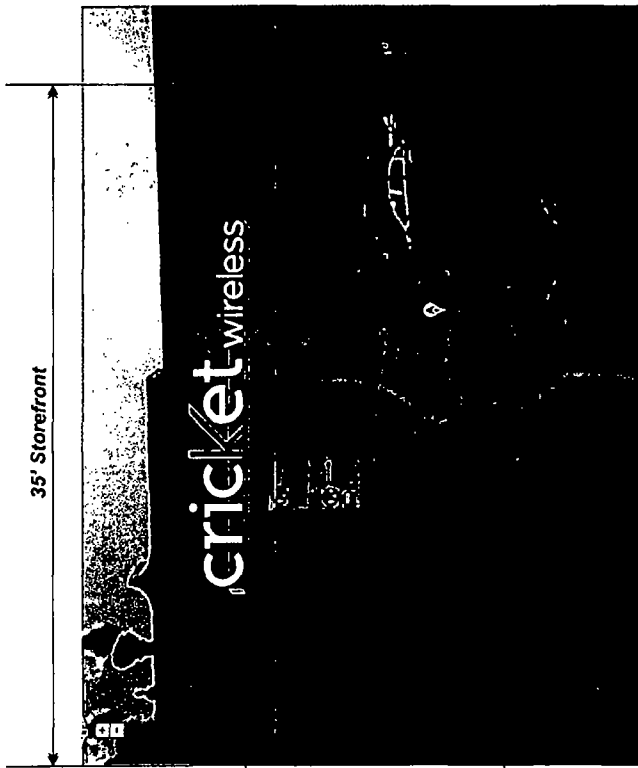
10

tfasigns

245" **cricket[®]wireless**

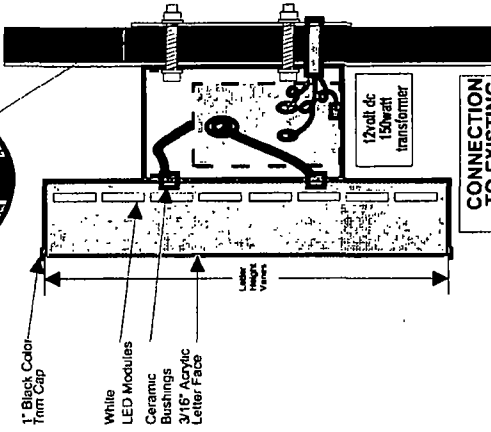


DISCONNECT SWITCH



35' Storefront

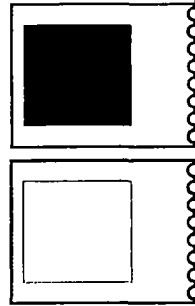
17' Height Above Grade



CONNECTION TO EXISTING ELECTRIC

CHANNEL LETTER DETAIL
NOT SCALE

WORK DESCRIPTION
LED-LIT Channel Letters
Attached to Raceway on
Front of Business



Store Name:
CRICKET WIRELESS
Location:
1121 W. BERWYN AVE.
CHICAGO IL 60640

Client Name: Cross Mobile
Phone:
Landlord:
Address:

Ray Tub King
Client Approval (signature) _____ Date _____

Landlord Approval (signature) _____ Date _____

Sales Rep:
SEAN PARK
Designer:
SEAN PARK



tfasigns



10/31/2012

Alderman **Harry Osterman**
Ward # **48**
City of Chicago
City Hall, Room **300**
121 North LaSalle Street
Chicago, Illinois 60602

Re: An ordinance to use and maintain a portion of the public right-of-way for **one (1) sign(s)** for **Cricket Wireless**, adjacent to the premises known as **1121 W. Berwyn Ave.**.

Dear Alderman **Harry Osterman**:

The applicant referenced above has requested the use of the public right-of-way for a **sign(s)**. An ordinance has been prepared by the Department of Business Affairs and Consumer Protection – Business Assistance Center - Public Way Use Unit for presentation to the City Council. Because this request was made for properties located in your ward, as approved by you as per the attached, I respectfully request that you introduce the attached ordinance at the next City Council meeting.

If you have any questions regarding this ordinance, please contact Anthony Bertuca at (312) 744-5506.

Department of Business Affairs and Consumer Protection