



# City of Chicago



O2013-4063

Office of the City Clerk

## Document Tracking Sheet

<b>Meeting Date:</b>	5/8/2013
<b>Sponsor(s):</b>	Reilly, Brendan (42)
<b>Type:</b>	Ordinance
<b>Title:</b>	Grant(s) of privilege in public way for Macerich Management - Kiosk(s)
<b>Committee(s) Assignment:</b>	Committee on Transportation and Public Way

ORDINANCE  
MACERICH MANAGEMENT  
Acct. No. 88361 - 1  
Permit No. 1105904

*Be It Ordained by the City Council of the City of Chicago:*

SECTION 1. Permission and authority are hereby given and granted to MACERICH MANAGEMENT, upon the terms and subject to the conditions of this ordinance to maintain and use, as now constructed, two (2) Kiosk(s) on the public right-of-way adjacent to its premises known as 43 E. Ohio St..

Said Kiosk(s) at E. Ohio Street measure(s):

One (1) at two point one seven (2.17) feet in length, and eight point five (8.5) feet in width for a total of eighteen point four five (18.45) square feet.

Said Kiosk(s) at N. Wabash Avenue measure(s):

One (1) at two point one seven (2.17) feet in length, and eight point five (8.5) feet in width for a total of eighteen point four five (18.45) square feet.

The location of said privilege shall be as shown on prints kept on file with the Department of Business Affairs and Consumer Protection and the Office of the City Clerk.

Said privilege shall be constructed in accordance with plans and specifications approved by the Department of Transportation (Division of Project Development) and Zoning Department - Signs.

This grant of privilege in the public way shall be subject to the provisions of Section 10-28-015 and all other required provisions of the Municipal Code of Chicago.

The grantee shall pay to the City of Chicago as compensation for the privilege #1105904 herein granted the sum of eight hundred (\$800.00) per annum in advance.

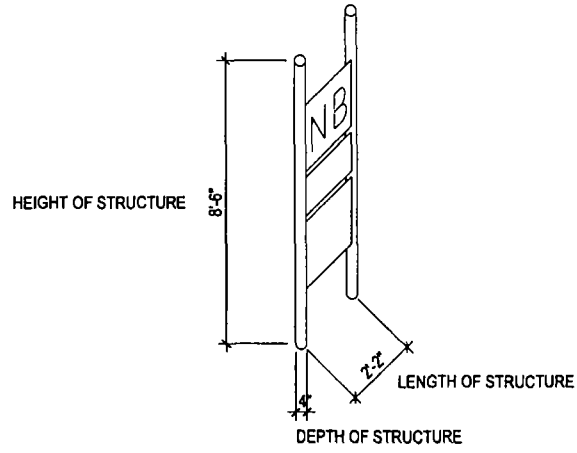
A 25% penalty will be added for payments received after due date.

The permit holder agrees to hold the City of Chicago harmless for any damage, relocation or replacement costs associated with damage, relocation or removal of private property caused by the City performing work in the public way.

Authority herein given and granted for a period of five (5) years from and after 03/14/2013.

Alderman  \_\_\_\_\_

Brendan Reilly 42nd Ward



RIGHT OF WAY USE - PERMIT RENEWAL  
BLOCK 120

OBJECTS BEYOND PROPERTY LINE - SIGN 11B

JULY 18, 2008

13

 **MACERICH** CHICAGO, IL

PEAPC 32610.01

**Perkins Eastman+Belluschi Consulting**  
A STRATEGIC ALLIANCE