



City of Chicago



O2016-4395

Office of the City Clerk

Document Tracking Sheet

Meeting Date:	5/18/2016
Sponsor(s):	Tunney (44)
Type:	Ordinance
Title:	Awning(s) for Ingmar James Salon
Committee(s) Assignment:	Committee on Transportation and Public Way

ORDINANCE
INGMAR JAMES SALON
Acct. No. 404277 - 1
Permit No. 1122724

Be It Ordained by the City Council of the City of Chicago:

SECTION 1. Permission and authority are hereby given and granted to INGMAR JAMES SALON, upon the terms and subject to the conditions of this ordinance to construct, install, maintain and use one (1) Awning(s) projecting over the public right-of-way adjacent to its premises known as 3255 N. Broadway .

Said Awning(s) at N. Broadway measure(s):

One (1) at fifteen point four six (15.46) feet in length, and four point four two (4.42) feet in width for a total of sixty-eight point three three (68.33) square feet.

The location of said privilege shall be as shown on prints kept on file with the Department of Business Affairs and Consumer Protection and the Office of the City Clerk.

Said privilege shall be constructed in accordance with plans and specifications approved by the Zoning Department - Signs.

This grant of privilege in the public way shall be subject to the provisions of Section 10-28-015 and all other required provisions of the Municipal Code of Chicago.

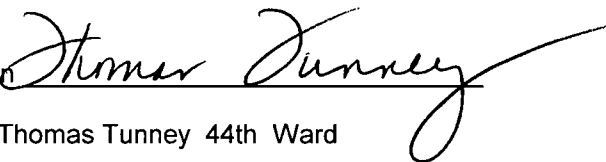
The grantee shall pay to the City of Chicago as compensation for the privilege #1122724 herein granted the sum of fifty (\$50.00) per annum in advance.

A 25% penalty will be added for payments received after due date.

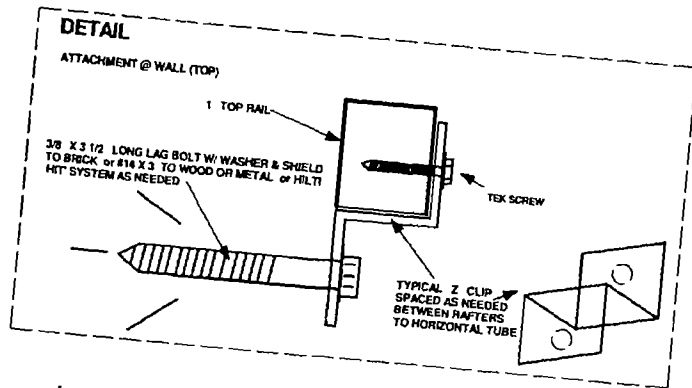
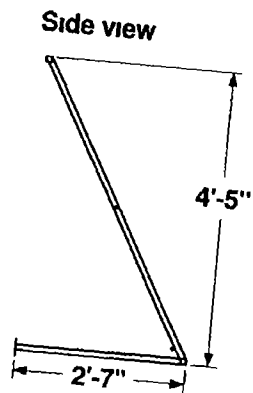
The permit holder agrees to hold the City of Chicago harmless for any damage, relocation or replacement costs associated with damage, relocation or removal of private property caused by the City performing work in the public way.

Authority herein given and granted for a period of five (5) years from and after Date of Passage.

Alderman



Thomas Tunney 44th Ward



Job # 726060
 Ingmar James Salon

- Notes**
- galv stl frame (1)
 - welded construction
 - tubing as noted
 - tie bar up
 - silver frame finish

