



City of Chicago



O2017-1378

Office of the City Clerk

Document Tracking Sheet

Meeting Date:	2/22/2017
Sponsor(s):	Moore (49)
Type:	Ordinance
Title:	Grant(s) of privilege in public way for Rogers Park Business Alliance - 6978 N Clark St
Committee(s) Assignment:	Committee on Transportation and Public Way

ORDINANCE
ROGERS PARK BUSINESS ALLIANCE
Acct. No. 298799 - 25
Permit No. 1123899

Be It Ordained by the City Council of the City of Chicago:

SECTION 1. Permission and authority are hereby given and granted to ROGERS PARK BUSINESS ALLIANCE, upon the terms and subject to the conditions of this ordinance to construct, install, maintain and use two (2) Planter(s) on the public right-of-way for beautification purposes adjacent to its premises known as 6978 N. Clark St..

Said Planter(s) at N. Clark Street measure(s):

One (1) at forty (40) inches in diameter and two (2) feet in height.

One (1) at three (3) feet in diameter and eighteen (18) inches in height.

Grantee must allow the required clear and unobstructed space for pedestrian passage at all times per rules and regulations approved by the Department of Transportation.

The location of said privilege shall be as shown on prints kept on file with the Department of Business Affairs and Consumer Protection and the Office of the City Clerk.

Said privilege shall be constructed in accordance with plans and specifications approved by the Department of Planning and Development and Department of Transportation (Division of Project Development).

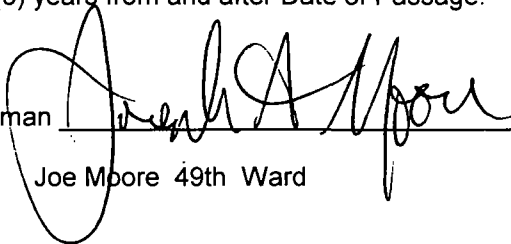
This grant of privilege in the public way shall be subject to the provisions of Section 10-28-015 and all other required provisions of the Municipal Code of Chicago.

The grantee shall pay to the City of Chicago as compensation for the privilege #1123899 herein granted the sum of zero (\$.00) per annum in advance.

A 25% penalty will be added for payments received after due date.

The permit holder agrees to hold the City of Chicago harmless for any damage, relocation or replacement costs associated with damage, relocation or removal of private property caused by the City performing work in the public way.

Authority herein given and granted for a period of five (5) years from and after Date of Passage.

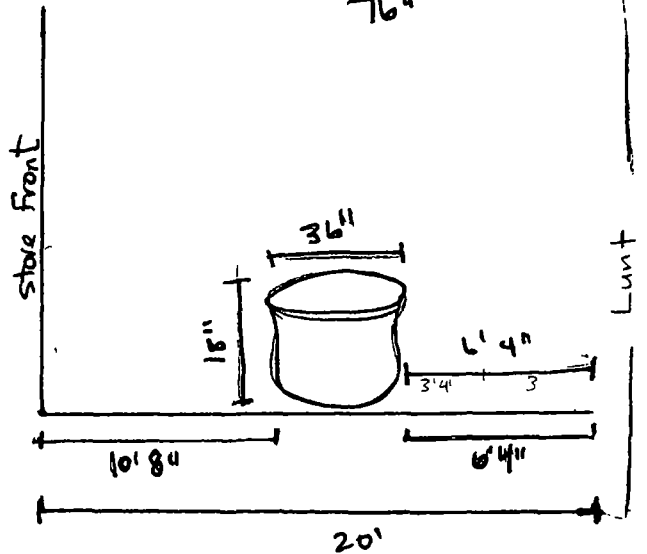
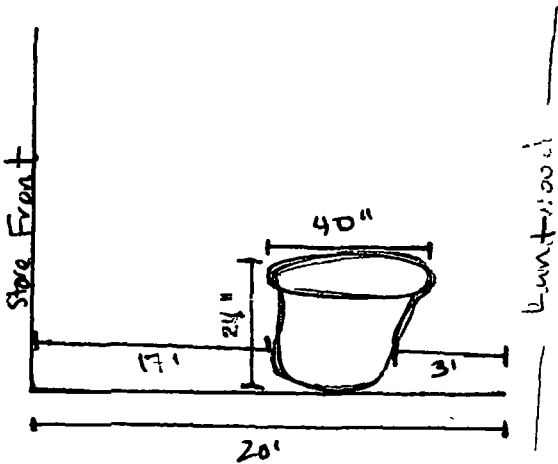
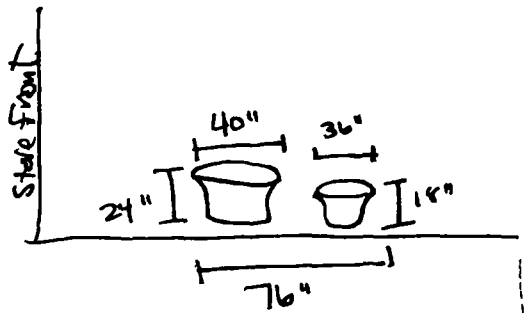
Alderman 
Joe Moore 49th Ward

6978 N Clark Street, Chicago, IL 60626

2 planters

- 1 36" dia x 18" H
- 1 40" dia x 24" H

Planters will be located on the sidewalk next to each other leaving between 3' to 4' and from curb





02/22/2017

Alderman Joe Moore
Ward # 49
City of Chicago
City Hall, Room 200
121 North LaSalle Street
Chicago, Illinois 60602

Re: An ordinance to use and maintain a portion of the public right-of-way for **two (2) planter(s)** for
ROGERS PARK BUSINESS ALLIANCE, adjacent to the premises known as **6978 N. Clark St.**

Dear Alderman **Joe Moore**:

The applicant referenced above has requested the use of the public right-of-way for **planter(s)**. An ordinance has been prepared by the Department of Business Affairs and Consumer Protection – Small Business Center - Public Way Use Unit for presentation to the City Council. Because this request was made for properties located in your ward, as approved by you as per the attached, I respectfully request that you introduce the attached ordinance at the next City Council meeting.

If you have any questions regarding this ordinance, please contact Anthony Bertuca at (312) 744-5506.

Department of Business Affairs and Consumer Protection