



Office of the Chicago City
Clerk



O2012-763

Office of the City Clerk

City Council Document Tracking Sheet

Meeting Date:	2/15/2012
Sponsor(s):	Burnett, Walter (27)
Type:	Ordinance
Title:	Grant(s) of privilege in public way for Urban Orchard
Committee(s) Assignment:	Committee on Transportation and Public Way

ORDINANCE
Urban Orchard
Acct. No. 368580 - 1
Permit No. 1099003

Be It Ordained by the City Council of the City of Chicago:

SECTION 1. Permission and authority are hereby given and granted to Urban Orchard, upon the terms and subject to the conditions of this ordinance to maintain and use one (1) sign(s) projecting over the public right-of-way attached to its premises known as 688 N. Milwaukee Ave..

Said sign structure(s) measures as follows; along N. Milwaukee:
One (1) at twelve (12) feet in length, three point three eight (3.38) feet in height and eight (8) feet above grade level.

The location of said privilege shall be as shown on prints kept on file with the Department of Business Affairs and Consumer Protection and the Office of the City Clerk.

Said privilege shall be constructed in accordance with plans and specifications approved by the Department of Transportation (Division of Project Development) and Zoning Department - Signs.

This grant of privilege in the public way shall be subject to the provisions of Section 10-28-015 and all other required provisions of the Municipal Code of Chicago.


The grantee shall pay to the City of Chicago as compensation for the privilege #1099003 herein granted the sum of three hundred (\$300.00) per annum in advance.

A 25% penalty will be added for payments received after due date.

The permit holder agrees to hold the City of Chicago harmless for any damage, relocation or replacement costs associated with damage, relocation or removal of private property caused by the City performing work in the public way.

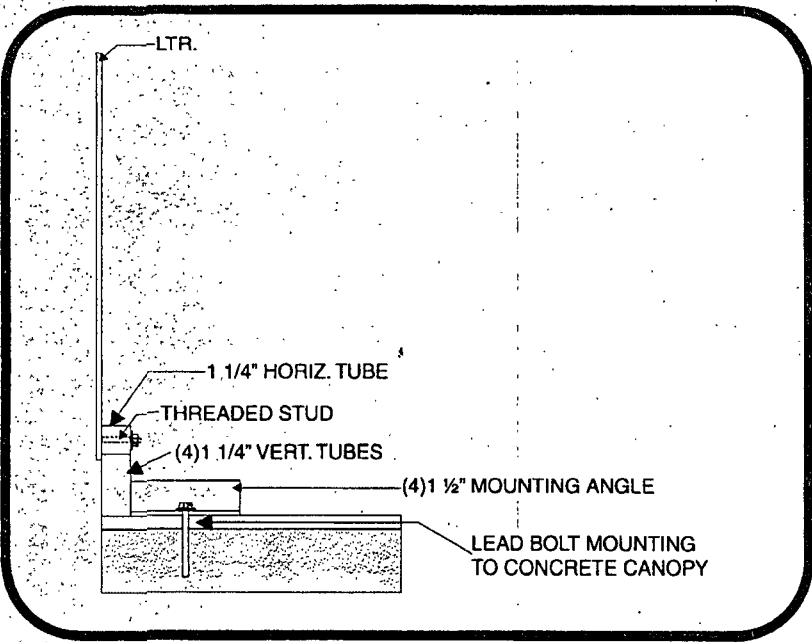
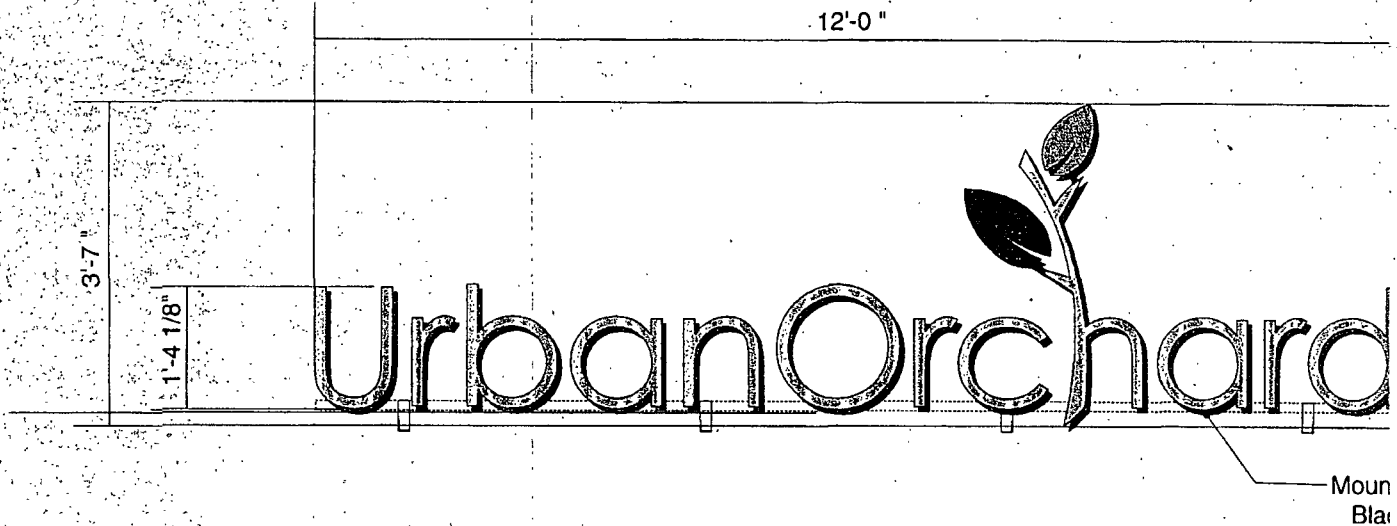
Authority herein given and granted for a period of five (5) years from and after Date of Passage.

Alderman



Walter Burnett Jr. 27th Ward

S1 (1) 1/4" Aluminum F.C.O. Letter / Logo Set
1/2" = 1'



1/4" F.C.O. LETTERS AND LOGO. LETTERS A NATURAL FINISH W/ A VERTICAL GRAIN SATIN FINISH. RETURNS TO MATCH:
 URBAN:
 PMS #370C GREEN
 ORCHARD:
 PMS #7505C BROWN
 LEAVES (LOGO):
 FACES AND RETURNS TO MATCH:
 PMS #375C LT GREEN
 PMS #370C GREEN
 FULL SET TO BE STUD MOUNTED TO MOUNTING BAR ON TOP OF CANOPY.

DOYLE
 GENERAL SIGN CONTRACTORS
 232 INTERSTATE RD. P.O. BOX 1068 ADDISON, IL. 60101 630-543-9490 FAX 630-543-9493

DATE	REVISION
8.22.11	MOUNTING DETS

CUSTOMER APPRO
 This design is the original design of DOYLE SIGNS, INC. and is not to be reproduced or exhibited in any fashion without the written consent from an authorized representative of Doyle Signs, Inc.
 The rights to this design are reserved.