



City of Chicago



Or2014-358

Office of the City Clerk

Document Tracking Sheet

Meeting Date:	7/30/2014
Sponsor(s):	Reilly (42)
Type:	Order
Title:	Issuance of permits for sign(s)/signboard(s) at 259 E Erie St - south elevation
Committee(s) Assignment:	Committee on Zoning, Landmarks and Building Standards

Committee on Buildings

(signs)

ORDERED, that the Commissioner of Buildings is hereby directed to issue a sign permit to: (Contractor's NAME & ADDRESS)

White Way Sign & Maintenance

451 Kingston Court

Mt. Prospect, IL 60056

For the erection of a sign/signboard over 24 feet in height and/or over 100 square feet (in area of one face) at: (Business NAME & ADDRESS)

Northwestern Memorial Hospital

259 E. Erie Street

Chicago, IL 60611

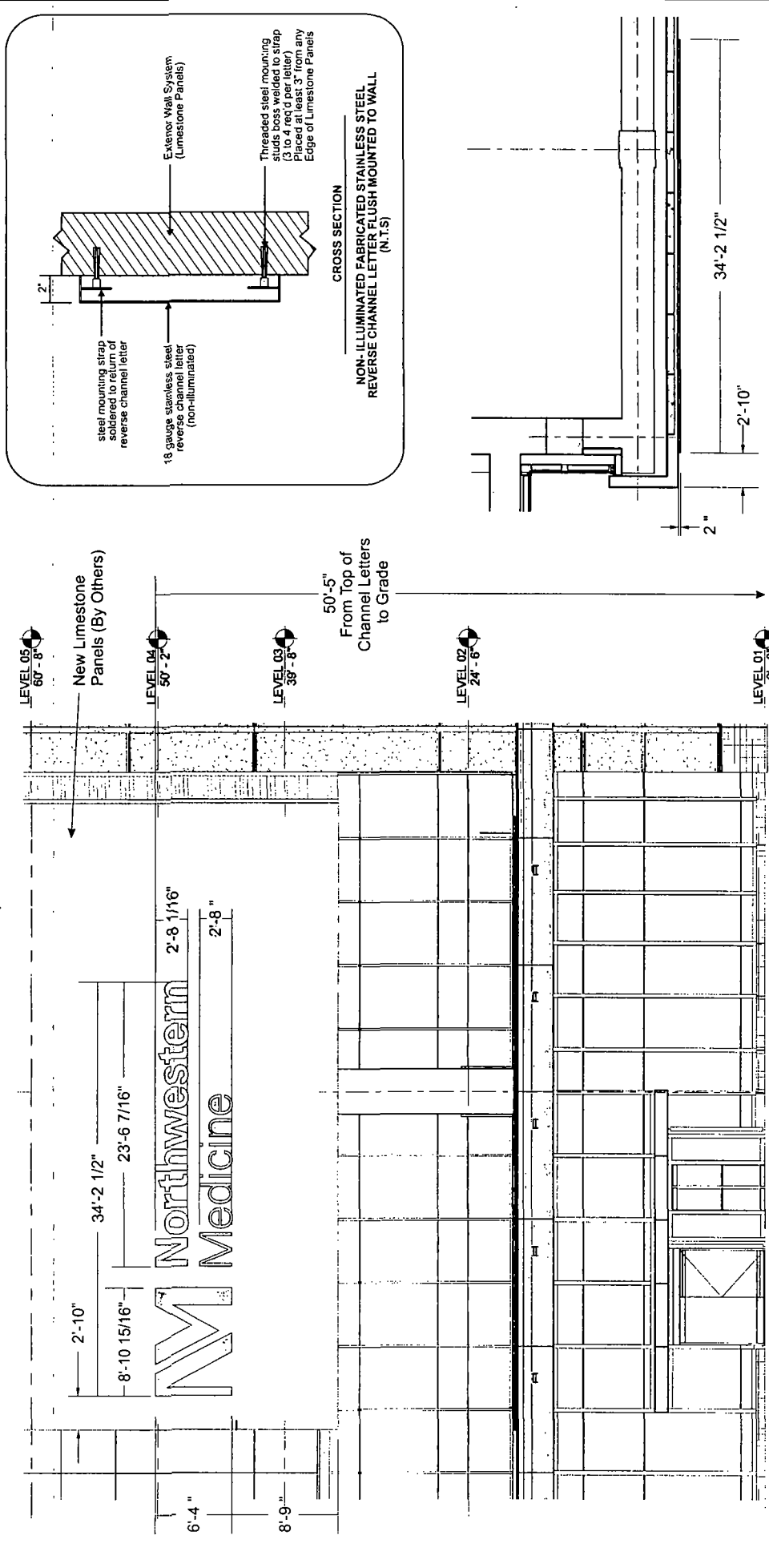
Dimensions: length	<u>13'-1 5/8"</u>	height	<u>9'-4"</u>
height above grade/roof to top of sign			<u>360'</u>
TOTAL SQUARE FOOT AREA			<u>122 sf</u>

South Elevation

Such sign(s) shall comply with all applicable provisions of TITLE 17 of the Chicago Zoning Ordinance and all other applicable provisions of the Municipal Code of the City of Chicago governing the construction and maintenance of outdoor signs, signboards and structures.



Alderman, Brendan Reilly, 42nd Ward



NORTH LOWER ELEVATION - With Proposed Non-Illuminated Channel Letterset

Scale: 1/8" = 1'-0"

NORTH LOWER PLAN VIEW
- With Proposed Non-Illuminated Channel Letterset

Scale: 1/8" = 1'-0"

Customer Approval		Date	Customer Land Lease		File Name	14-4729-NM-Cross-UP-RENDERING.dwg
Production Number	14-4729	Date	Job Name	Northwest Medicine Outpatient Care Pavilion	Scale	As Noted
Approved for Production		Date	Address	237-259 E. Erie Street	Drawn By	Tom Valenciano
Date to Print		Date	City	Chicago, IL	Date	4/18/14
		Date	Size	A	Checked O.A.H. Placement of Letterset/Added Limestone Placas from Cust. Supplied Drawg	5/8/14
		Date	Page	4 of 4	DATE	TV
		Date	Sheet No	86427	APPROVAL	

This is an original drawing created by White Way Sign for a project being planned for your organization, not copied, reproduced or exhibited in any fashion.

WHITE WAY SIGN COMPANY
 451 Kingston Ct Mount Prospect, IL 60056
 Phone (847) 391-0200 Fax (847) 391-0099

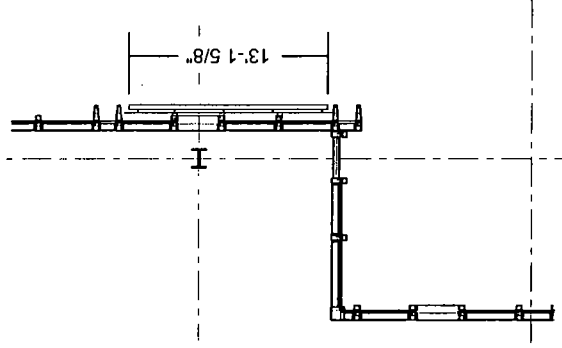
City	Chicago, IL
Address	237-259 E Erie Street
Job Name	Northwest Medicine Outpatient Care Pavilion
Customer	Leid Leaso
File Name	14-4793 NM Outp LP PERMIT.dwg
Drawn By	Tom Valenciano
Date	4/18/14
Scale	As Noted
Sheet No	3 of 4
Sheet No	66427

REVISION	DATE	APPROVAL	LITTER

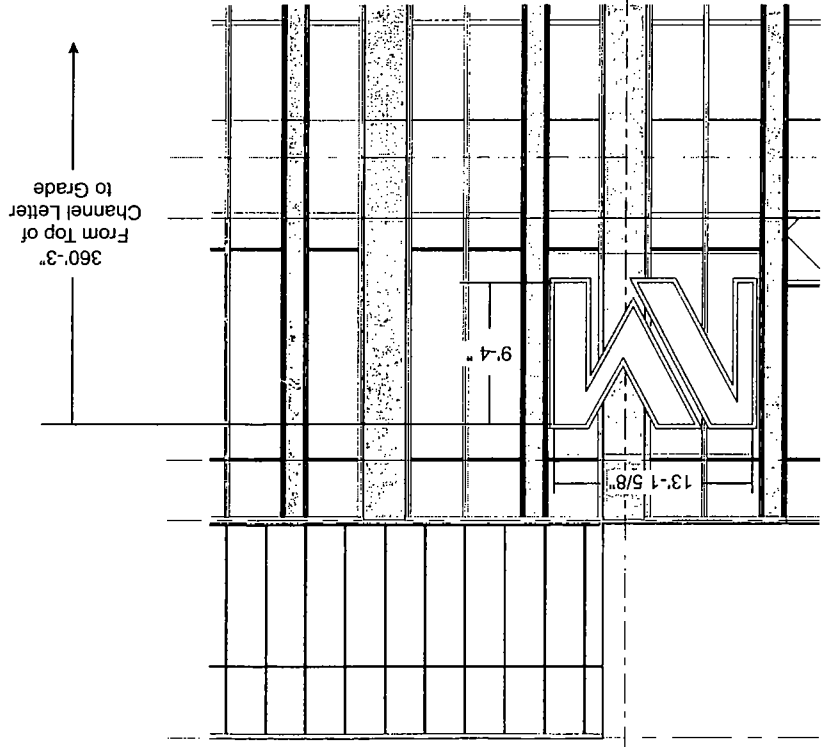
COLOR PRINTS MAY NOT ACCURATELY REPRESENT SPECIFIED COLORS FOR ACCURATE COLOR ASSESSMENT REFER TO COLOR SPECIFICATIONS AND UTILIZE STANDARD VINYL AND PANTONE COLOR CHARTS

PHOTO RENDERINGS MAY NOT REFLECT SCALE ACCURATELY REFER TO SPECIFIED DIMENSIONS FOR CORRECT SIZES

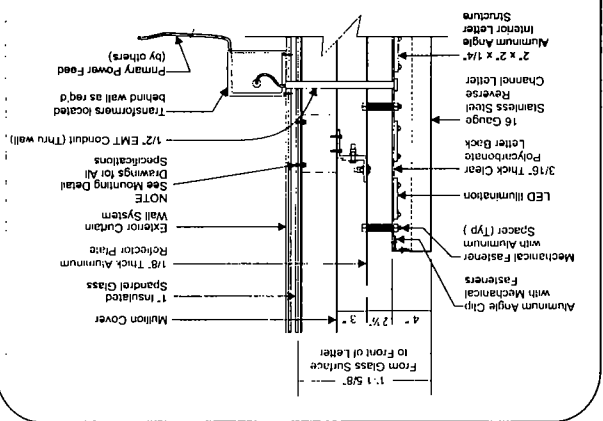
WEST UPPER FLOOR PLAN - Level 25
 With Proposed Internally Illuminated Back-Lit Reverse Channel Letterset
 Scale: 1/8" = 1'-0"



With Proposed Internally Illuminated Back-Lit Reverse Channel Letterset
 Scale: 1/8" = 1'-0"



CROSS SECTION
 INTERNALLY ILLUMINATED REVERSE BACK-LIT CHANNEL LETTER MOUNTED TO CURTAIN WALL
 (N.T.S.)



Corner of Building

T/PARAPET
383 - 5
T/SCREENWALL
380 - 9'

T/PARAPET@26
366 - 4'
LEVEL 26
362 - 4'

T/PRPT@25
346 - 4'
LEVEL 25
342 - 4'

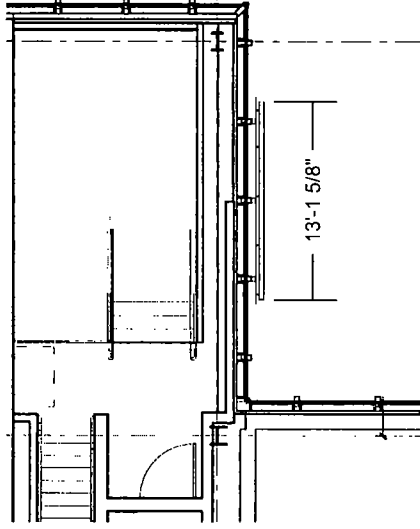
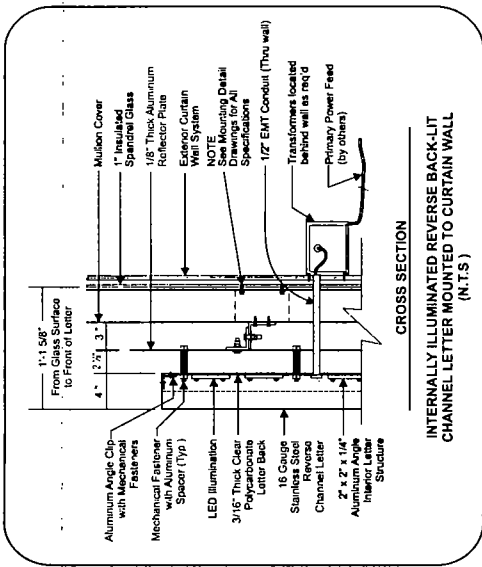
13'-1 5/8"

9'-4"

360'-3"
From Top of
Channel Letter
to Grade

SOUTH UPPER ELEVATION - With Proposed Internally Illuminated Back-Lit Reverse Channel Letter Set

Scale: 1/8" = 1'-0"



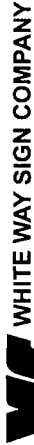
**SOUTH UPPER FLOOR PLAN - Level 25
With Proposed Internally Illuminated
Back-Lit Reverse Channel Letterset**

Scale: 1/8" = 1'-0"

PHOTO RENDERINGS MAY NOT
REFLECT SCALE ACCURATELY
REFER TO SPECIFIED DIMENSIONS
FOR CORRECT SIZES

COLOR PRINTS MAY NOT ACCURATELY REPRESENT
SPECIFIED COLORS
FOR ACCURATE COLOR ASSESSMENT REFER TO
COLOR SPECIFICATIONS AND UTILIZE STANDARD
VINYL AND PANTONE COLOR CHARTS

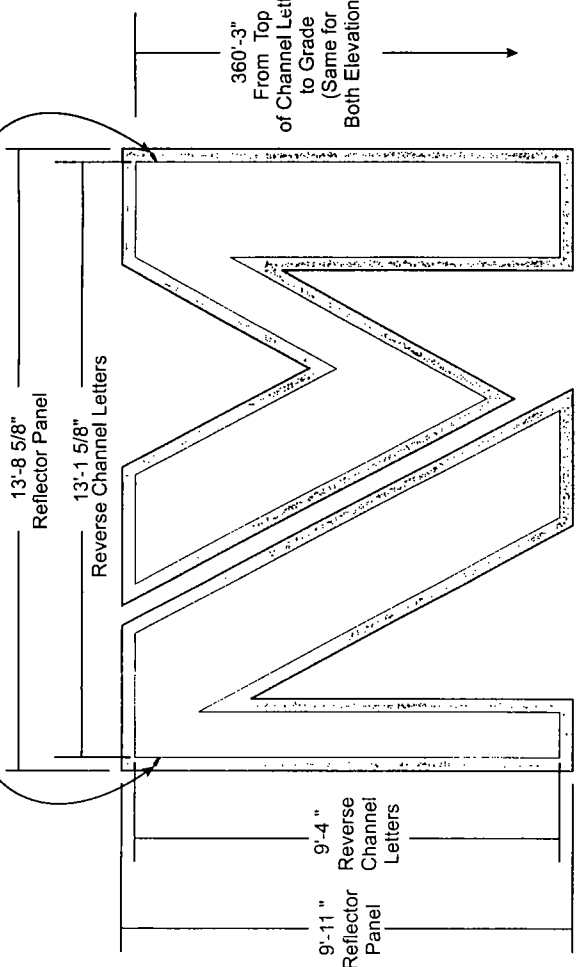
Customer: Lend Lease	Job Name: Northwest Medicine Outpatient Care Pavilion	Scale: As Noted	Drawn By: Tom Valenzano
Address: 237-298 E Erie Street	City: Chicago, IL	Date: 4/18/14	Sheet Rep: Bob Flannery III
State: IL	Zip: 60611	Page: 2 of 4	Drawing No: 86427
Production Number: 14-4729	Approved for Production:	Date:	Date:
Customer Approval:	Client:	Permit:	Date:



This is an original drawing created by White Way Sign for a project being planned for you. It is not to be shown to anyone outside your organization, nor copied, reproduced or exhibited in any fashion.

WHITE WAY SIGN COMPANY
451 Kensington Ct Mount Prospect, IL 60056
Phone (847) 391-0200 Fax (847) 391-0099

Qty (2) Electric Safety Disconnect Switches



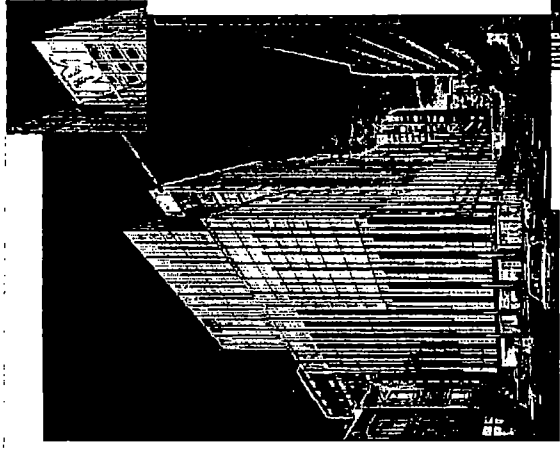
FRONT ELEVATION
Scale: 3/8" = 1'-0"

Qty. (2) Sets of Internally Illuminated Back-Lit Reverse Channel Letters with Flat Reflector Background Panel Installed Onto Top of High-Rise Building as Shown.

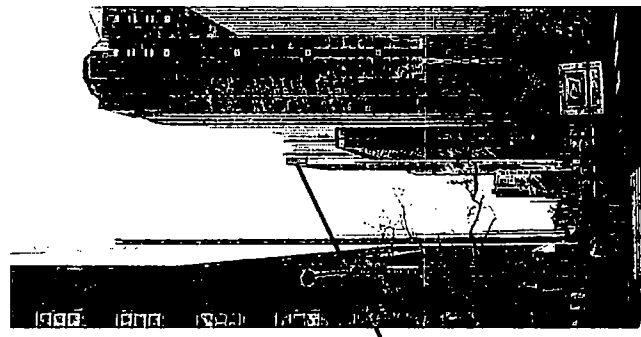
Reverse Channel Letter: Fabricated from 16 Gauge Stainless Steel Painted White with Enamel Finish on Face and Sides (Returns). Letter Depth (Return) to be 4" inside "Channel" to be Painted White for Maximum Light Reflectivity
Letter Backs: 3/16" Thick Clear Polycarbonate to Allow Illumination.

Internal Illumination: Programmable DMX Controlled RGB Color Changing L.E.D. System.

Flat Reflector Panel: Contour Cut from 1/8" Thick Aluminum, Painted Light Grey with Enamel Finish (Necessary to Provide "Halo-Lit" Effect).



SOUTH ELEVATION / PERSPECTIVE VIEW- AT DUSK
With Proposed Channel Letterset
N.T.S.



WEST ELEVATION / PERSPECTIVE VIEW- DURING DAY
With Proposed Channel Letterset
N.T.S.

COLOR PRINTS MAY NOT ACCURATELY REPRESENT SPECIFIED COLORS FOR ACCURATE COLOR ASSESSMENT REFER TO COLOR SPECIFICATIONS AND UTILIZE STANDARD VINYL AND PANTONE COLOR CHARTS

PHOTO RENDERINGS MAY NOT REFLECT SCALE ACCURATELY REFER TO SPECIFIED DIMENSIONS FOR CORRECT SIZES

Customer Approval	Date	Signature for Production	Date	Signature for Production	Date	Signature for Production	Date
Produced by: White Way Sign Company	14-4729						
Job Name	Northwest Medicine Outpatient Care Pavilion	Scale	As Noted	Drawn By	Tom Valenciano	Checked By	Bob Flannery III
Address	237-259 E. Erie Street	Date	4/18/14	Scale Rep	Bob Flannery III	Drawn No.	68427
City	Chicago, IL	State / Zip	IL 60611	Page	1 of 4	Approval	
Customer	Lund Lesco	File Name	14-4729 NM Clin Ltr PERM1 for	Revision		DATE	5/13/14
Letter	A	Removed "Option A"		DATE		APPROVAL	TV



WHITE WAY SIGN COMPANY
451 Kingston Ct. Mount Prospect, IL 60056
Phone: (847) 391-0200 Fax: (847) 391-0099