



# Office of the City Clerk



O2012-5182

Office of the City Clerk

## City Council Document Tracking Sheet

<b>Meeting Date:</b>	7/25/2012
<b>Sponsor(s):</b>	Solis, Daniel (25)
<b>Type:</b>	Ordinance
<b>Title:</b>	Grant(s) of privilege in public way for Jimmy John's - Taylor
<b>Committee(s) Assignment:</b>	Committee on Transportation and Public Way

ORDINANCE  
JIMMY JOHN'S - TAYLOR  
Acct. No. 334223 - 1  
Permit No. 1100394

*Be It Ordained by the City Council of the City of Chicago:*

SECTION 1. Permission and authority are hereby given and granted to JIMMY JOHN'S - TAYLOR, upon the terms and subject to the conditions of this ordinance to maintain and use, as now constructed, two (2) Light Fixture(s) projecting over the public right-of-way adjacent to its premises known as 1133 W. Taylor St..

Said Light Fixture(s) at W. Taylor measure(s):

Two (2) at point eight three (.83) feet in length, one point five (1.5) foot in width and thirteen point one six (13.16) feet above grade level.

The location of said privilege shall be as shown on prints kept on file with the Department of Business Affairs and Consumer Protection and the Office of the City Clerk.

Said privilege shall be constructed in accordance with plans and specifications approved by the Department of Transportation (Division of Project Development).

This grant of privilege in the public way shall be subject to the provisions of Section 10-28-015 and all other required provisions of the Municipal Code of Chicago.

The grantee shall pay to the City of Chicago as compensation for the privilege #1100394 herein granted the sum of eighty (\$80.00) per annum in advance.

A 25% penalty will be added for payments received after due date.

The permit holder agrees to hold the City of Chicago harmless for any damage, relocation or replacement costs associated with damage, relocation or removal of private property caused by the City performing work in the public way.

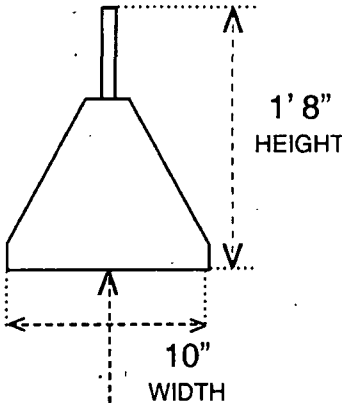
Authority herein given and granted for a period of five (5) years from and after Date of Passage.

Alderman \_\_\_\_\_

  
Daniel S. Solis 25th Ward

**OUTDOOR LIGHTING DIMENSIONS FOR JIMMY JOHN'S GOURMET SANDWICHES**  
1133 W. TAYLOR ST., CHICAGO, IL 60607

( 2 LAMPS TOTAL )



13' 2"  
HEIGHT  
FROM  
GRADE  
TO BASE  
OF LAMP

GROUND LEVEL

