



City of Chicago



Or2015-761

Office of the City Clerk

Document Tracking Sheet

Meeting Date:	12/9/2015
Sponsor(s):	Solis (25)
Type:	Order
Title:	Issuance of permits for sign(s)/signboard(s) at 1222 W Madison St
Committee(s) Assignment:	Committee on Zoning, Landmarks and Building Standards

Committee on Zoning, Landmarks
and Building Standards
City Council Meeting
Alderman Danny Solis 25th Ward
Sign Order

ORDERED, That the Commissioner of Buildings is hereby directed to issue a sign permit to:

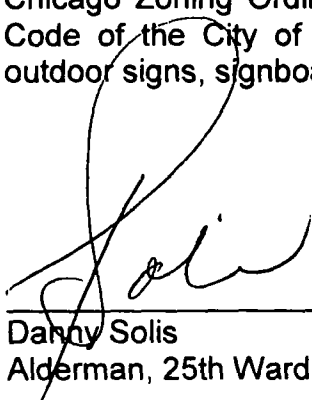
Midwest Sign & Lighting, Inc.
4910 W Wilshire BLVD
Country Club Hills, IL. 60478

For the erection of a sign/signboard over 24 feet in height and/or over 100 square feet (in area of one face) at:

Luxe
1222 W Madison
Chicago, IL. 60607

Dimensions: length 13' height 3' 5"
Height above grade/roof to top of sign 61 feet
Total Square Foot Area 45 square feet
Elevation 58 feet

Such sign shall comply with all applicable provisions of TITLE 17 of the Chicago Zoning Ordinance and all other applicable provisions of the Municipal Code of the City of Chicago governing the construction and maintenance of outdoor signs, signboards and structures.



Danny Solis
Alderman, 25th Ward



CITY OF CHICAGO

DEPARTMENT OF BUILDINGS

Aldermanic Acknowledgment Letter

TO: Department of Buildings
121 North LaSalle Street, Room 900
Chicago, IL 60602

DATE: October 26, 20 15

I am aware of the application for a building permit at the following address. I have no objection to its issuance.

Address: 122 W. MADISON STREET

Date of Application: _____

Type of Permit: Sign Installation

Signed: _____

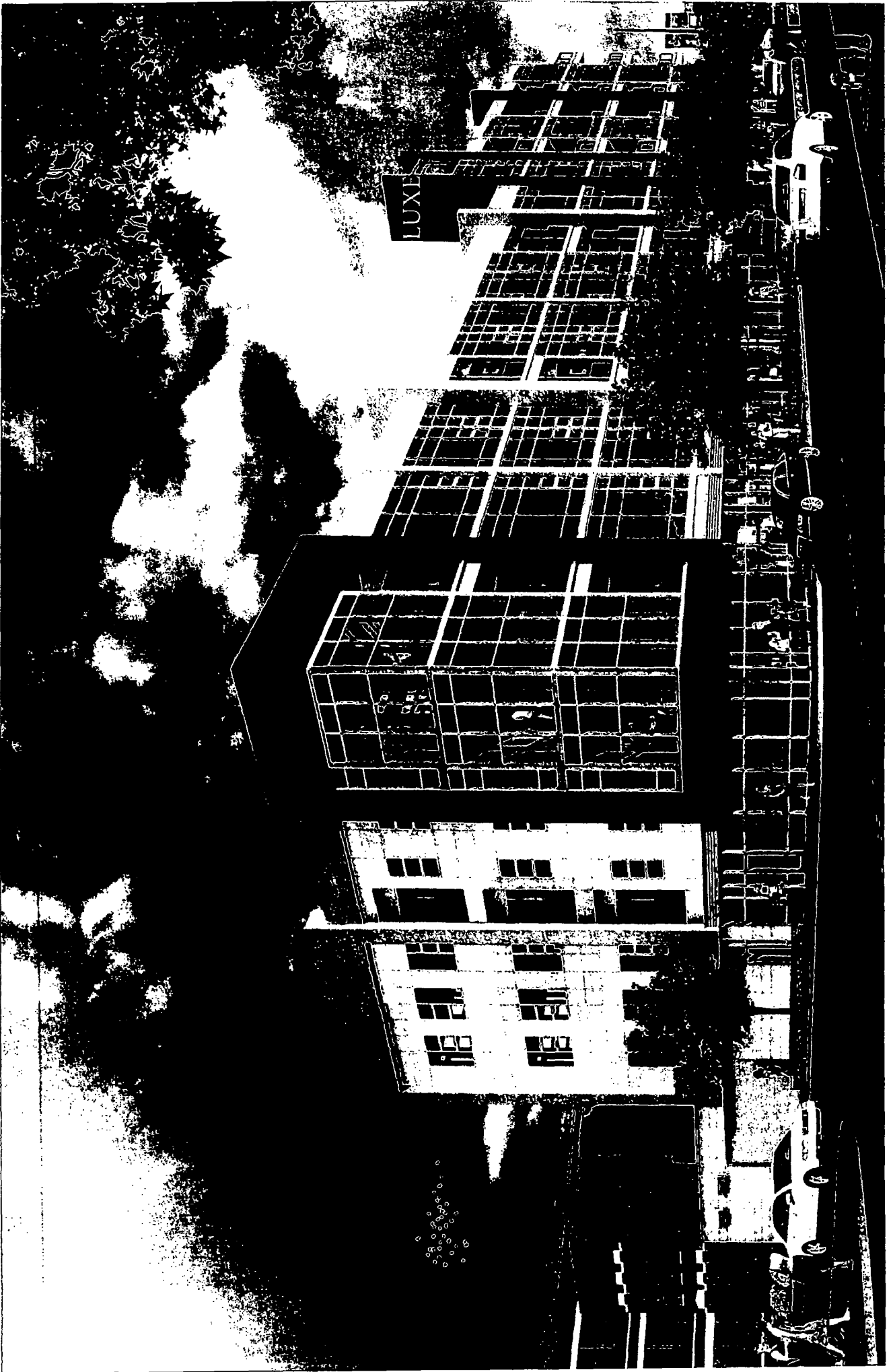
Ward: 25

DANIEL SOLIS

(Alderman's full name, printed or typed)

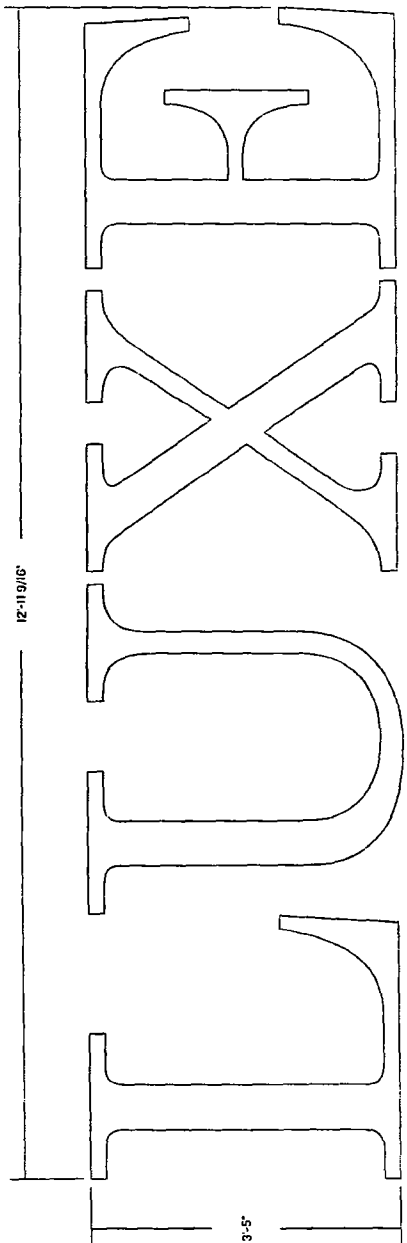
Telephone: (773) 523-4100





SIGN SPECIFICATIONS.

- (A) - ILLUMINATED LETTERS
- Lighting: LED
- Voltage: 120v
- Description: Back-lit (Remote power supply)
- Face Color: White
- Return Color: Painted White
- Installation: Stand-off (2 1/2" max for optimal light spread)



This document is intended to be used for informational purposes only. It is not intended to be used as a contract. The user of this document is advised that the user of this document is not a party to the contract between the user and the sign manufacturer. The sign manufacturer is not responsible for any errors or omissions in this document. The sign manufacturer is not responsible for any damage to property or persons resulting from the use of this document.

PROJECT

Luxe

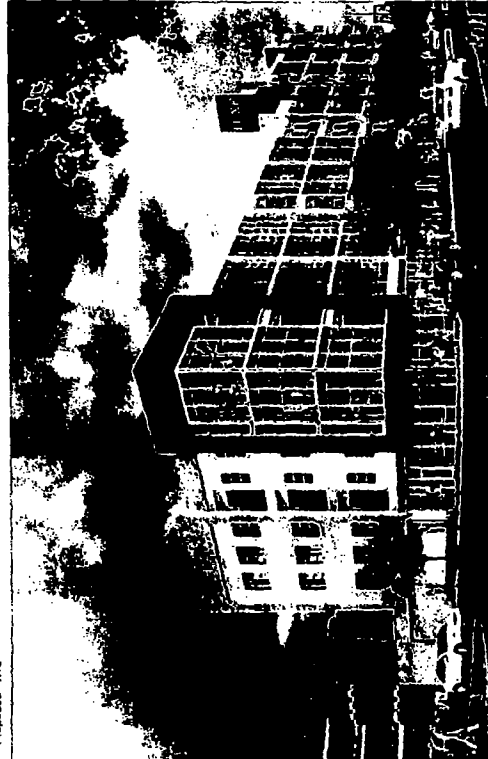
Chicago, IL

Scale: 3/4" = 1'

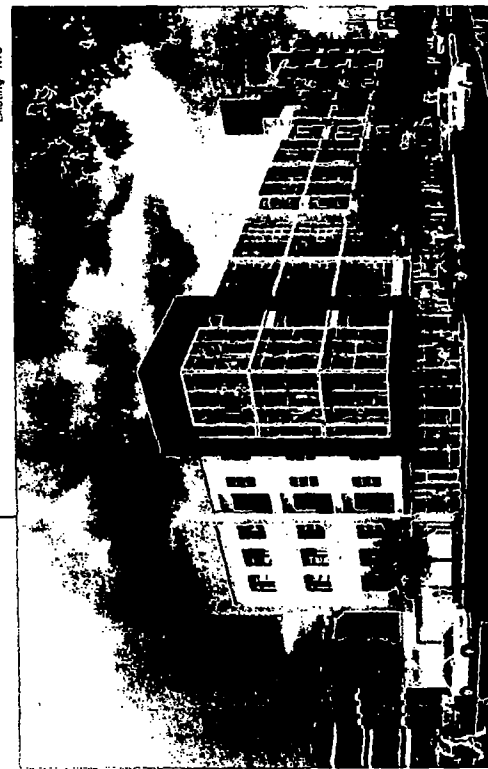
Original Page Size: 11" x 17"

NOTES

Proposed - NTS



Existing - NTS



REVISIONS

REV DESCRIPTION BY DATE

App: Dan Schumann
Assembly: Ryan Karasch
Orig. Date: 7.28.15

Sign Loc. No. *

LL-01

Lit Letters
Sign Type

70750 J01

Design

The drawings are the property of the Designer. No part of this drawing may be reproduced or transmitted in any form or by any means, electronic or mechanical, including photocopying, recording, or by any information storage and retrieval system, without the prior written permission of the Designer. The Designer shall not be liable for any errors or omissions in the drawings, or for any consequences arising therefrom. The Designer's liability is limited to the design of the drawings and shall not extend to the construction of the project.

Project
LUXE

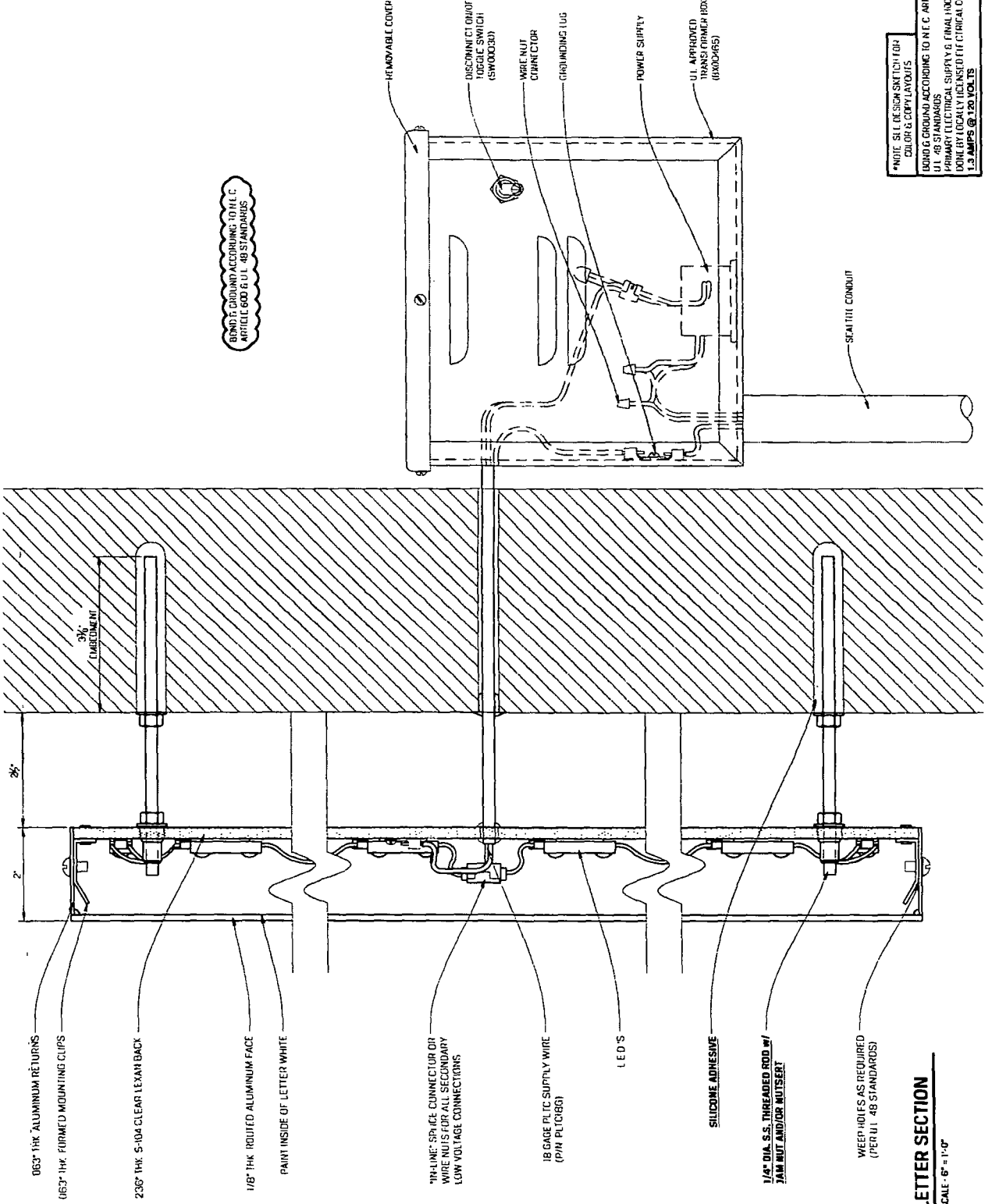
CHICAGO, IL

Scale: AS NOTED

Original Paper Size: 11" x 17"

Notes

BOND TO GROUND ACCORDING TO NF C
 ARTICLE 600.6 U.L. 48 STANDARDS



*NOTE: SEE DESIGN SWITCH FOR
 COLOR & CONFIGURATIONS
 BOND TO GROUND ACCORDING TO NF C ARTICLE 600.6
 U.L. 48 STANDARDS
 PRIMARY ELECTRICAL SUPPLY & FINAL HOOK-UP TO BE
 DONE BY LICENSED ELECTRICIAN CONTRACTOR
1.2 AMP @ 120 VOLTS

LETTER SECTION

SCALE: 6" = 1'-0"

Revisions
 REV. DESCRIPTION BY DATE
 1 A
 2 A
 3 A

Drawn By: **DAN SCHUMANN** Proj. Date: **7.28.15**
 Checked By: **RYAN LABASCH**

Sign. Loc. No.
LL-01
 BACKLIT LETTERS
 Sign Type

70750
 Project: 001-000
 Sheet
S01