



City of Chicago



O2018-7527

Office of the City Clerk

Document Tracking Sheet

Meeting Date:	9/20/2018
Sponsor(s):	Burnett (27)
Type:	Ordinance
Title:	Grant(s) of privilege in public way for Crazy Bird
Committee(s) Assignment:	Committee on Transportation and Public Way

ORDINANCE
CRAZY BIRD
Acct. No. 428548 - 1
Permit No. 1134295

Be It Ordained by the City Council of the City of Chicago:

SECTION 1. Permission and authority are hereby given and granted to CRAZY BIRD, upon the terms and subject to the conditions of this ordinance to maintain and use one (1) sign(s) projecting over the public right-of-way attached to its premises known as 1160 W. Grand Ave..

Said sign structure(s) measures as follows; along W. Grand Avenue:

One (1) at eight (8) feet in length, four (4) feet in height and eleven point five eight (11.58) feet above grade level.

The location of said privilege shall be as shown on prints kept on file with the Department of Business Affairs and Consumer Protection and the Office of the City Clerk.

Said privilege shall be constructed in accordance with plans and specifications approved by the Department of Transportation (Division of Project Development) and Zoning Department - Signs.


This grant of privilege in the public way shall be subject to the provisions of Section 10-28-015 and all other required provisions of the Municipal Code of Chicago.

The grantee shall pay to the City of Chicago as compensation for the privilege #1134295 herein granted the sum of three hundred (\$300.00) per annum in advance.

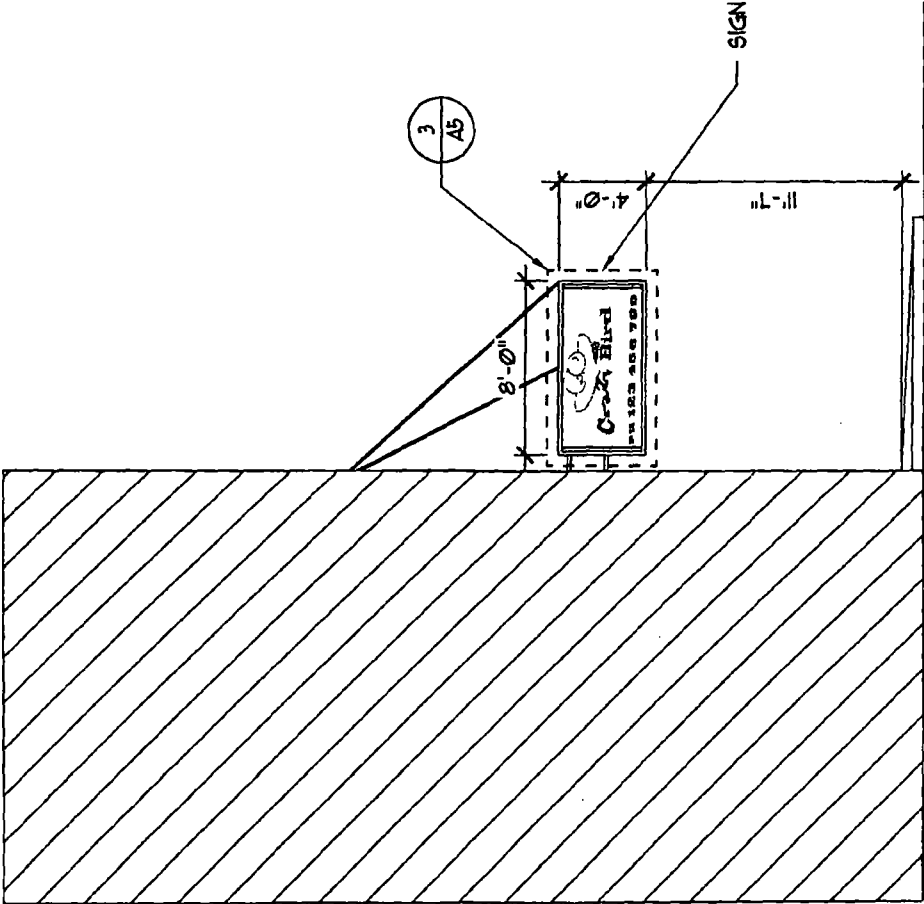
A 25% penalty will be added for payments received after due date.

The permit holder agrees to hold the City of Chicago harmless for any damage, relocation or replacement costs associated with damage, relocation or removal of private property caused by the City performing work in the public way.

Authority herein given and granted for a period of five (5) years from and after Date of Passage.

Alderman 
Walter Burnett Jr. 27th Ward

WEST ELEVATION
SCALE: 1/8" = 1'-0"



SHEET: **A 1.2**

NEW BUSINESS IDENTIFICATION SIGN
1160 W GRAND AVE CHICAGO ILLINOIS 60642
or
20171118

1166 WEST GRAND AVENUE
CHICAGO ILLINOIS 60642
PHONE (312) 243 2500
FAX (312) 243 9970

IPSA
Architecture & Design
ARCHITECTS & CONSTRUCTION SERVICES