



# City of Chicago



O2019-6448

Office of the City Clerk

## Document Tracking Sheet

<b>Meeting Date:</b>	7/24/2019
<b>Sponsor(s):</b>	Reilly (42)
<b>Type:</b>	Ordinance
<b>Title:</b>	Grant(s) of privilege in public way for Two East Erie Condo Assn.
<b>Committee(s) Assignment:</b>	Committee on Transportation and Public Way

ORDINANCE  
TWO EAST ERIE CONDOMINIUM ASSOCIATION  
Acct. No. 347858 - 1  
Permit No. 1116106

*Be It Ordained by the City Council of the City of Chicago:*

SECTION 1. Permission and authority are hereby given and granted to TWO EAST ERIE CONDOMINIUM ASSOCIATION, upon the terms and subject to the conditions of this ordinance to maintain and use, as now constructed, three (3) Planter(s) on the public right-of-way for beautification purposes adjacent to its premises known as 2 E. Erie St..

Said Planter(s) at E. Erie Street measure(s):  
Two (2) at three (3) feet in length, and three (3) feet in width for a total of eighteen (18) square feet.  
One (1) at fifteen point six six (15.66) feet in length, and six point six six (6.66) feet in width for a total of one hundred four point three (104.3) square feet.

Grantee must allow the required clear and unobstructed space for pedestrian passage at all times per rules and regulations approved by the Department of Transportation.

The location of said privilege shall be as shown on prints kept on file with the Department of Business Affairs and Consumer Protection and the Office of the City Clerk.

Said privilege shall be constructed in accordance with plans and specifications approved by the Department of Planning and Development and Department of Transportation (Division of Project Development).

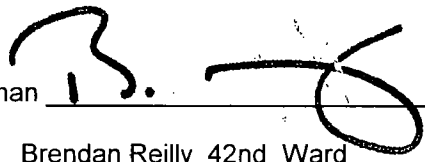
This grant of privilege in the public way shall be subject to the provisions of Section 10-28-015 and all other required provisions of the Municipal Code of Chicago.

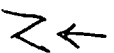
The grantee shall pay to the City of Chicago as compensation for the privilege #1116106 herein granted the sum of zero (\$0.00) per annum in advance.

A 25% penalty will be added for payments received after due date.

The permit holder agrees to hold the City of Chicago harmless for any damage, relocation or replacement costs associated with damage, relocation or removal of private property caused by the City performing work in the public way.

Authority herein given and granted for a period of five (5) years from and after 12/16/2014.

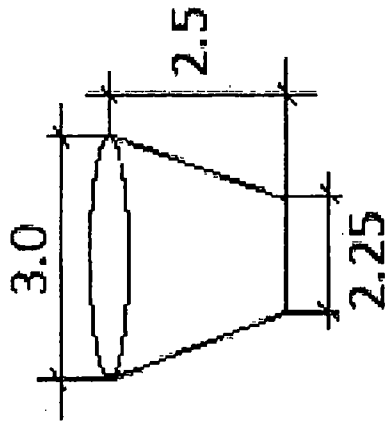
Alderman   
Brendan Reilly 42nd Ward



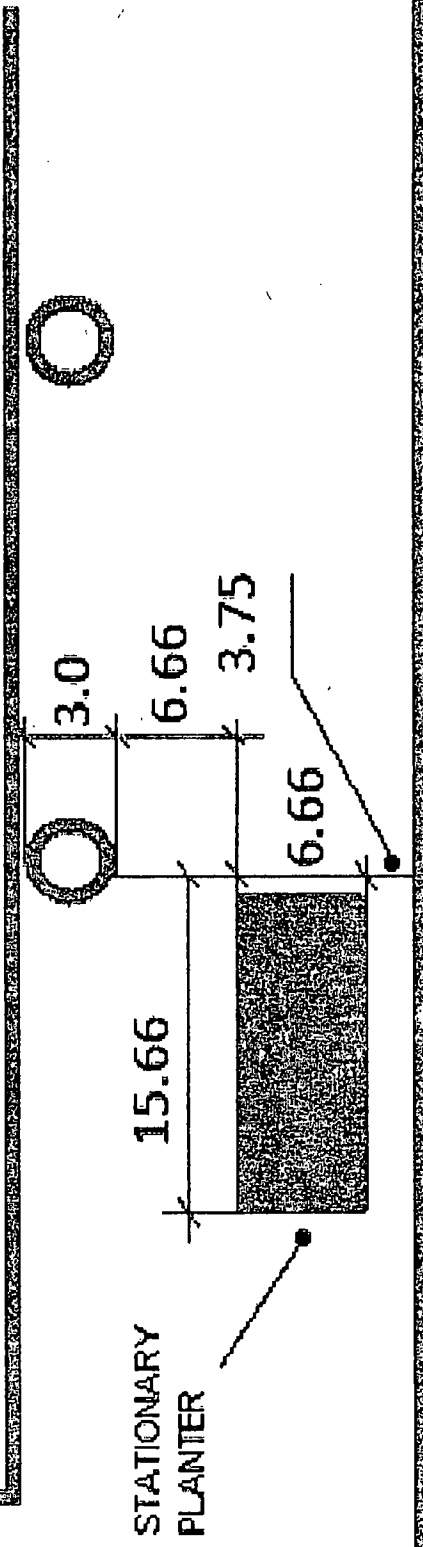
# TWO EAST ERIE PLANTERS TOP VIEW

MOVABLE  
PLANTERS  
SEE DETAIL 1

DETAIL 1



STATE  
STREET



ERIE STREET