



City of Chicago



O2015-7624

Office of the City Clerk

Document Tracking Sheet

Meeting Date:	10/14/2015
Sponsor(s):	Smith (43)
Type:	Ordinance
Title:	Grant(s) of privilege in public way for Snarf's Sandwiches
Committee(s) Assignment:	Committee on Transportation and Public Way

ORDINANCE
Snarf's Sandwiches
Acct. No. 399010 - 1
Permit No. 1119257

Be It Ordained by the City Council of the City of Chicago:

SECTION 1. Permission and authority are hereby given and granted to Snarf's Sandwiches, upon the terms and subject to the conditions of this ordinance to maintain and use two (2) sign(s) projecting over the public right-of-way attached to its premises known as 955 W. Webster Ave..

Said sign structure(s) measures as follows; along W. Webster Avenue:

One (1) at nine point eight four (9.84) feet in length, one point six three (1.63) feet in height and thirteen point five (13.5) feet above grade level.

One (1) at three point five (3.5) feet in length, two point three four (2.34) feet in height and twelve (12) feet above grade level.

The location of said privilege shall be as shown on prints kept on file with the Department of Business Affairs and Consumer Protection and the Office of the City Clerk.

Said privilege shall be constructed in accordance with plans and specifications approved by the Department of Transportation (Division of Project Development) and Zoning Department - Signs.

This grant of privilege in the public way shall be subject to the provisions of Section 10-28-015 and all other required provisions of the Municipal Code of Chicago.

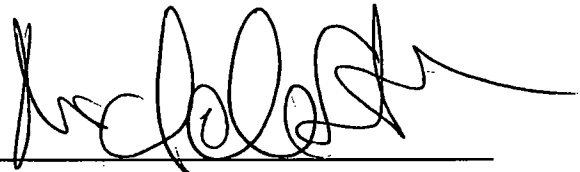
The grantee shall pay to the City of Chicago as compensation for the privilege #1119257 herein granted the sum of one hundred seventy-five (\$175.00) per annum in advance.

A 25% penalty will be added for payments received after due date.

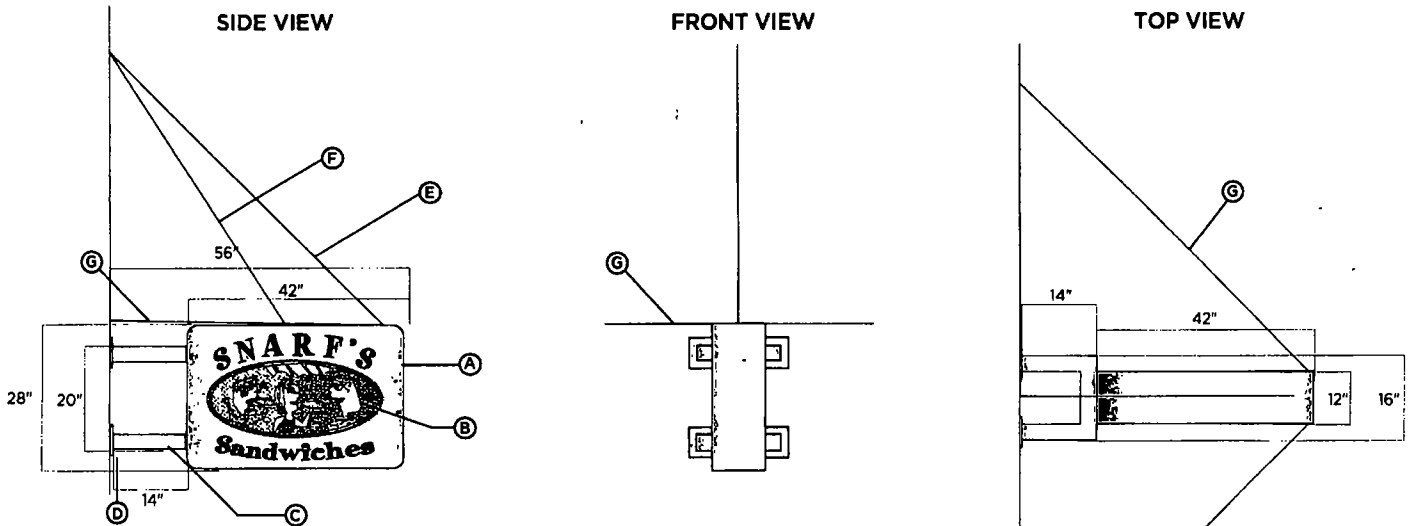
The permit holder agrees to hold the City of Chicago harmless for any damage, relocation or replacement costs associated with damage, relocation or removal of private property caused by the City performing work in the public way.

Authority herein given and granted for a period of five (5) years from and after Date of Passage.

Alderman



Michele Smith 43rd Ward



HANGING BLADE SIGN

- A- DOUBLE SIDED 28" X 42" X 10" DEEP CABINET PAINTED MAP BRUSHED ALUMINUM ALUMINUM FACE WITH .5" PUSH THRU LETTERS/LOGO. INTERNALLY ILLUMINATED WITH WHITE LED'S WELDED TO MOUNTING BRACKETS
- B- .5" CLEAR ACRYLIC LETTERS AND LOGO WITH OPAQUE VINYL(COBALT FOR LETTERS) AND DIGITAL TRANSLUCENT VINYL(LOGO) OVERLAYS. LETTERS TO HAVE IN LINE FOR BLUE VINYL
- C- 3" X 3" ALUMINUM SQUARE TUBING PAINTED WITH MAP BRUSHED ALUMINUM.
- D- 6" X 6" X 5" PLATES FOR MOUNTING TO BUILDING
- E- 79" CHAIN FOR SUPPORT ATTACHED TO BUILDING
- F- 61.7" CHAIN FOR SUPPORT ATTACHED TO BUILDING
- G- 77.69" CHAIN FOR SUPPORT ATTACHED TO BUILDING

H.M. WITT & CO.
Signs
 FINE SIGNAGE SINCE 1894

3313 West Newport Ave. Chicago, IL 60618
 office | 773 250 5000 fax | 773 250 5100
 toll free | 1 888 427 0705 web | www.hmwitt.com

APPROVED AS IS <input type="radio"/> APPROVED W/CHANGES <input type="radio"/> REVISE AND RESUBMIT <input type="radio"/>	REVISIONS
APPROVAL _____ DATE _____	(Empty space for revision notes)

CLIENT SNARF'S SANDWICHES DATE 061414 JOB # SNF14001_BLADE SIGN DRAWN BY hp/bf SCALE NTS
--

THIS IS AN ORIGINAL DRAWING BY H.M. WITT & CO. SIGNS AND IS NOT TO BE REPRODUCED WITHOUT PERMISSION OF H.M. WITT & CO. SIGNS