



# City of Chicago



O2019-8737

Office of the City Clerk

## Document Tracking Sheet

**Meeting Date:** 11/13/2019

**Sponsor(s):** Reilly (42)

**Type:** Ordinance

**Title:** Grant(s) of privilege in public way for Hyatt Centric the Loop  
Chicago - flagpoles

**Committee(s) Assignment:** Committee on Transportation and Public Way

ORDINANCE  
HYATT CENTRIC THE LOOP CHICAGO  
Acct. No. 389327 - 1  
Permit No. 1142865

*Be It Ordained by the City Council of the City of Chicago:*

SECTION 1. Permission and authority are hereby given and granted to HYATT CENTRIC THE LOOP CHICAGO, upon the terms and subject to the conditions of this ordinance to maintain and use, as now constructed, two (2) Flag Pole(s) projecting over the public right-of-way adjacent to its premises known as 100 W. Monroe St..

Said Flag Pole(s) at W. Monroe Street measure(s):

Two (2) at eight point two five (8.25) feet in length, and point four two (.42) feet in width for a total of six point nine three (6.93) square feet.

The location of said privilege shall be as shown on prints kept on file with the Department of Business Affairs and Consumer Protection and the Office of the City Clerk.

Said privilege shall be constructed in accordance with plans and specifications approved by the Department of Transportation (Division of Project Development).

This grant of privilege in the public way shall be subject to the provisions of Section 10-28-015 and all other required provisions of the Municipal Code of Chicago.

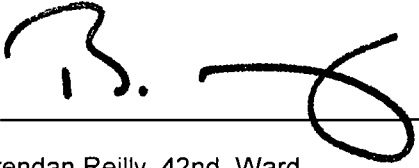
The grantee shall pay to the City of Chicago as compensation for the privilege #1142865 herein granted the sum of one hundred fifty (\$150.00) per annum in advance.

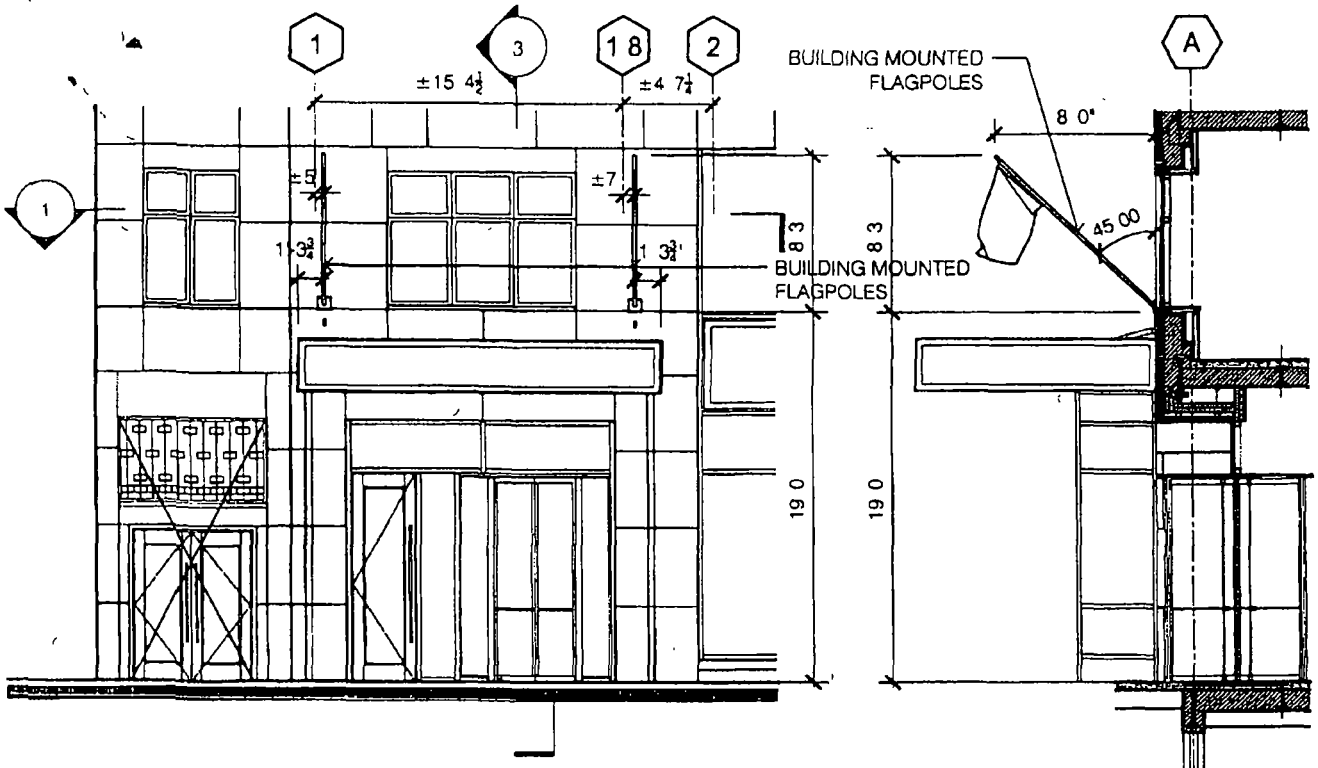
A 25% penalty will be added for payments received after due date.

The permit holder agrees to hold the City of Chicago harmless for any damage, relocation or replacement costs associated with damage, relocation or removal of private property caused by the City performing work in the public way.

Authority herein given and granted for a period of five (5) years from and after 09/10/2019.

Alderman \_\_\_\_\_

  
Brendan Reilly 42nd Ward



2 PARTIAL ELEVATION

SCALE 1/8" = 1'-0"

0 4 8 16



1/8" = 1'-0"

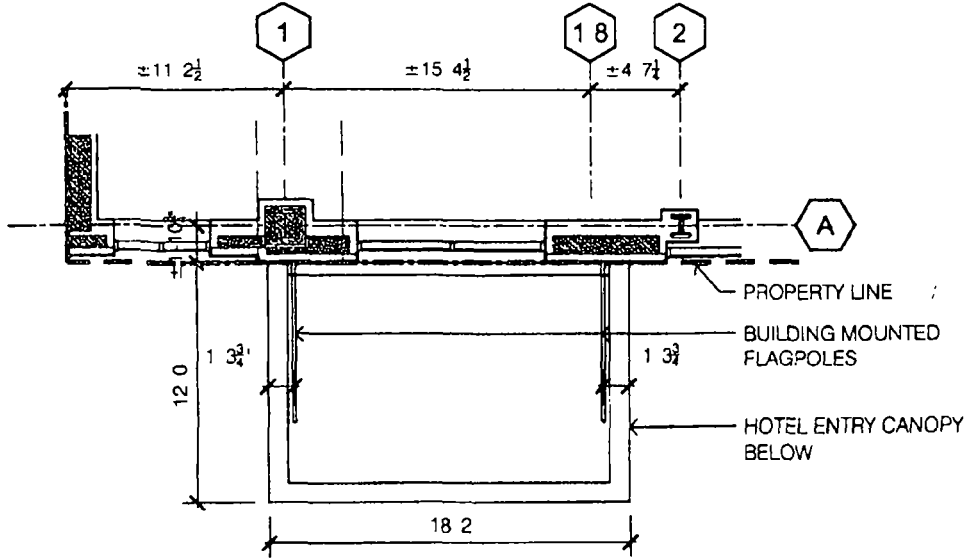
3 SECTION

SCALE 1/8" = 1'-0"

0 4 8 16



1/8" = 1'-0"



1 PARTIAL PLAN

SCALE 1/8" = 1'-0"

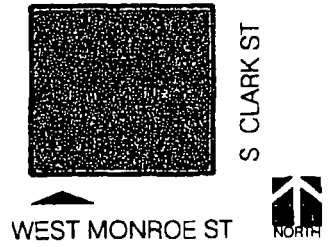
0 4 8 16



1/8" = 1'-0"



NORTH



S CLARK ST

WEST MONROE ST



NORTH