



City of Chicago



O2016-5032

Office of the City Clerk Document Tracking Sheet

Meeting Date:	6/22/2016
Sponsor(s):	Reilly (42)
Type:	Ordinance
Title:	Canopy(s) for 435 N LaSalle LLC
Committee(s) Assignment:	Committee on Transportation and Public Way

ORDINANCE
435 N. LA SALLE, LLC
Acct. No. 407201 - 1
Permit No. 1123656

Be It Ordained by the City Council of the City of Chicago:

SECTION 1. Permission and authority are hereby given and granted to 435 N. LA SALLE, LLC, upon the terms and subject to the conditions of this ordinance to construct, install, maintain and use one (1) Canopy(s) projecting over the public right-of-way adjacent to its premises known as 435 N. La Salle Dr..

Said Canopy(s) at N. La Salle Drive measure(s):

One (1) at five point zero eight (5.08) feet in length, and three point six seven (3.67) feet in width for a total of eighteen point six four (18.64) square feet.

The location of said privilege shall be as shown on prints kept on file with the Department of Business Affairs and Consumer Protection and the Office of the City Clerk.

Said privilege shall be constructed in accordance with plans and specifications approved by the Zoning Department - Signs.

This grant of privilege in the public way shall be subject to the provisions of Section 10-28-015 and all other required provisions of the Municipal Code of Chicago.

The grantee shall pay to the City of Chicago as compensation for the privilege #1123656 herein granted the sum of fifty (\$50.00) per annum in advance.

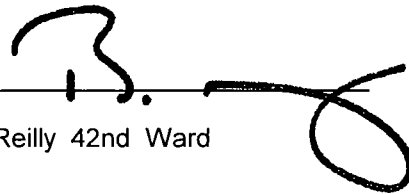
A 25% penalty will be added for payments received after due date.

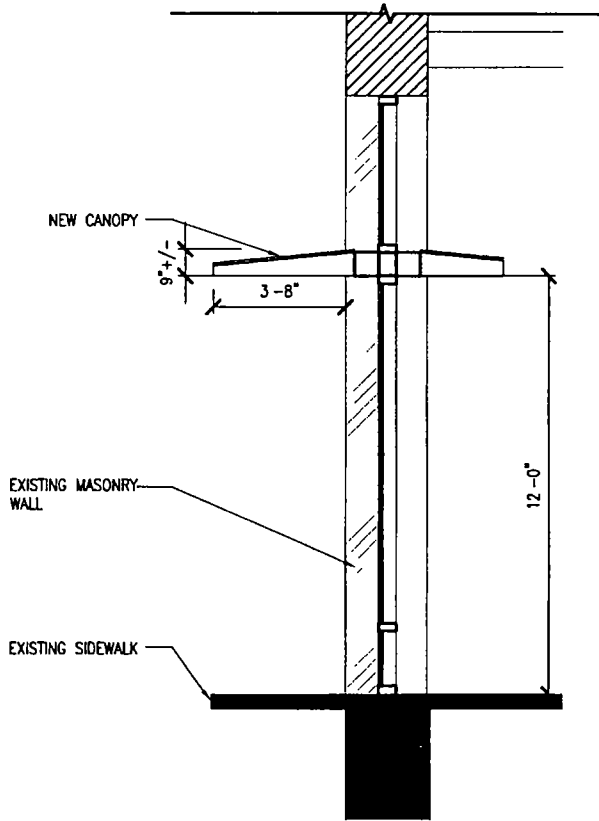
The permit holder agrees to hold the City of Chicago harmless for any damage, relocation or replacement costs associated with damage, relocation or removal of private property caused by the City performing work in the public way.

Authority herein given and granted for a period of five (5) years from and after Date of Passage.

Alderman _____

Brendan Reilly 42nd Ward

A handwritten signature in black ink, appearing to be 'B. Reilly', written over a horizontal line. The signature is stylized and extends to the right of the line.



1
SK-3

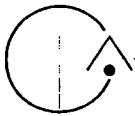
NEW STOREFRONT CANOPY SECTION

SCALE

1/4" = 1'-0"



SCALE 1/4" = 1'-0"



chadha + associates
architecture + interiors + design
200 WEST MONROE STREET
T 312.332.2062 | F 312.332.9894
SUITE 2070 CHICAGO ILLINOIS 60606
www.nwsarchitects.com

CANOPY PROPOSAL
435 N LASALLE, LLC
435 N LASALLE
CHICAGO, IL 60654

SK-3

05 27 2016
JOB NO 5240 10