



City of Chicago



O2015-8193

Office of the City Clerk

Document Tracking Sheet

Meeting Date:	11/18/2015
Sponsor(s):	Solis (25)
Type:	Ordinance
Title:	Grant(s) of privilege in public way for 1035 W Van Buren Partners LLC - irrigation system
Committee(s) Assignment:	Committee on Transportation and Public Way

ORDINANCE
1035 W VAN BUREN PARTNERS LLC
Acct. No. 400190 - 2
Permit No. 1119849

Be It Ordained by the City Council of the City of Chicago:

SECTION 1. Permission and authority are hereby given and granted to 1035 W VAN BUREN PARTNERS LLC, upon the terms and subject to the conditions of this ordinance to construct, install, maintain and use one (1) Irrigation System(s) under the public right-of-way adjacent to its premises known as 1035 W. Van Buren St..

Said Irrigation System(s) at W. Van Buren Street measure(s):

One (1) at one hundred fifty-eight point five (158.5) feet in length, and point zero eight (.08) feet in width for a total of twelve point six eight (12.68) square feet. Said irrigation system shall be approximately eighteen (18) inches below grade level.

The location of said privilege shall be as shown on prints kept on file with the Department of Business Affairs and Consumer Protection and the Office of the City Clerk.

Said privilege shall be constructed in accordance with plans and specifications approved by the Department of Transportation (Office of Underground Coordination) and Department of Water Management.

This grant of privilege in the public way shall be subject to the provisions of Section 10-28-015 and all other required provisions of the Municipal Code of Chicago.

The grantee shall pay to the City of Chicago as compensation for the privilege #1119849 herein granted the sum of four hundred (\$400.00) per annum in advance.

A 25% penalty will be added for payments received after due date.

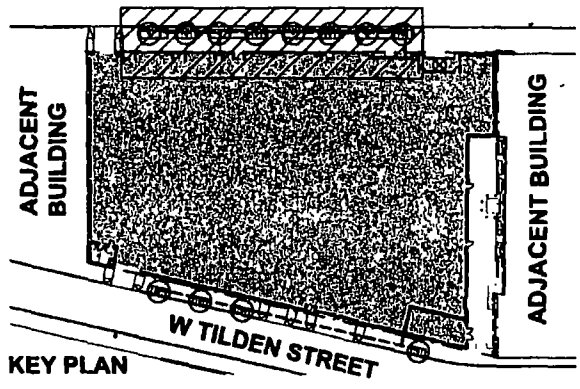
The permit holder agrees to hold the City of Chicago harmless for any damage, relocation or replacement costs associated with damage, relocation or removal of private property caused by the City performing work in the public way.

Authority herein given and granted for a period of five (5) years from and after Date of Passage.

Alderman _____


Daniel S. Solis 25th Ward

W VAN BUREN STREET

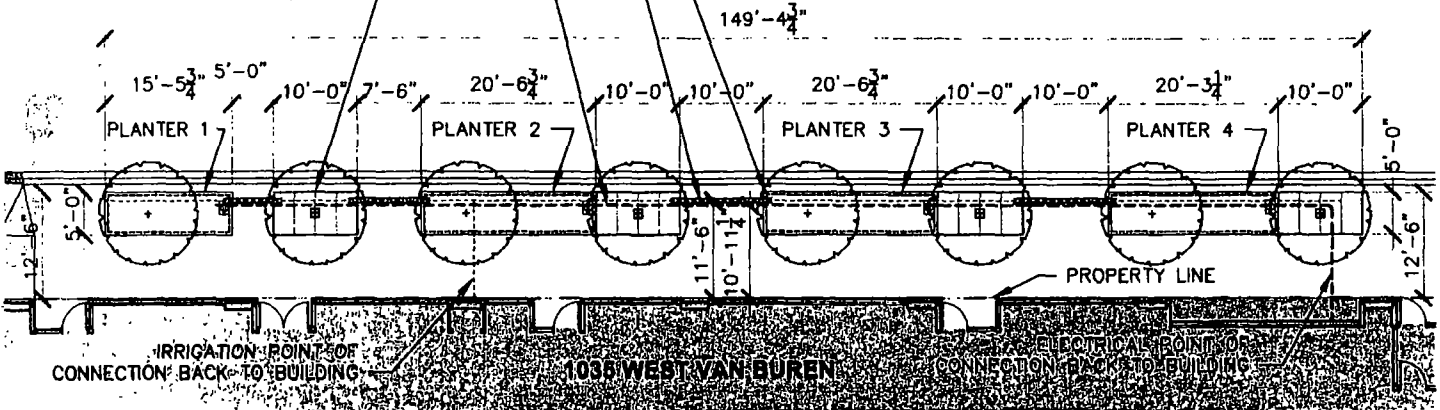


PARKWAY PLANTER WITH PARKWAY FENCE, TYP 1'-8" ABOVE ADJACENT GRADE, TYP

1" DIA LANDSCAPE IRRIGATION PIPE 158'-6" LINEAR FT ALONG W.VAN BUREN. 1'-6" MIN BELOW GRADE

3/4" DIA ELECTRICAL CONDUIT 30" BELOW GRADE 144'-0" LINEAR FT ALONG W VAN BUREN

5'X10' TREE GRATE ALONG W VAN BUREN, TYP



GOP-SK-1: PLANTER & TREE GRATES - W VAN BUREN STREET

SCALE 1/8" = 1'-0"



1035 W VAN BUREN

23 JULY 2015

Applicant 1035 WEST VAN BUREN PARTNERS, LLC
 Address 1035 W Van Buren, Chicago, IL

Morris Adjmi Architects
 www.ma.com



G|R|E|C ARCHITECTS



11/18/2015

Alderman **Daniel S. Solis**
Ward # **25**
City of Chicago
City Hall, Room **304**
121 North LaSalle Street
Chicago, Illinois 60602

Re: An ordinance to use and maintain a portion of the public right-of-way for **one (1) irrigation system(s)** for **1035 W VAN BUREN PARTNERS LLC**, adjacent to the premises known as **1035 W. Van Buren St.**

Dear Alderman **Daniel S. Solis**:

The applicant referenced above has requested the use of the public right-of-way for a **irrigation system(s)**. An ordinance has been prepared by the Department of Business Affairs and Consumer Protection – Small Business Center - Public Way Use Unit for presentation to the City Council. Because this request was made for properties located in your ward, as approved by you as per the attached, I respectfully request that you introduce the attached ordinance at the next City Council meeting.

If you have any questions regarding this ordinance, please contact Anthony Bertuca at (312) 744-5506.

Department of Business Affairs and Consumer Protection