



City of Chicago



Or2016-482

Office of the City Clerk

Document Tracking Sheet

Meeting Date:	9/14/2016
Sponsor(s):	King (4)
Type:	Order
Title:	Issuance of permits for sign(s)/signboard(s) at 407 E 25th St -- South elevation
Committee(s) Assignment:	Committee on Zoning, Landmarks and Building Standards

Committee on Zoning, Landmarks
and Building Standards
City Council Meeting
Alderman Sophia King
Sign Order

ORDERED, that the Commissioner of Buildings is hereby directed to issue a sign permit to:

OZKO SIGN AND LIGHTING
1119 LUNT AVE.
SCHAUMBURG, IL 60193

For the erection of a sign/signboard over 24 feet in height and/or over 100 square feet (in area of one face) at:

CUBESMART #0869
407 E. 25TH STREET
CHICAGO, IL 60616

Dimensions: length 19'-6" height 6'

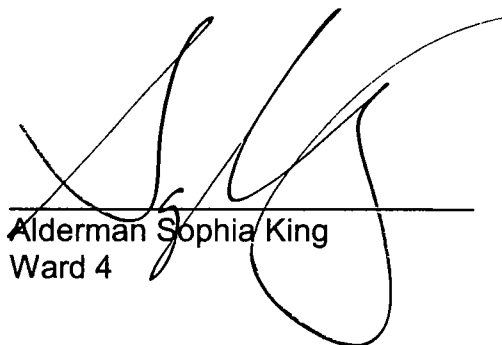
Height above grade/roof to top of sign 42'

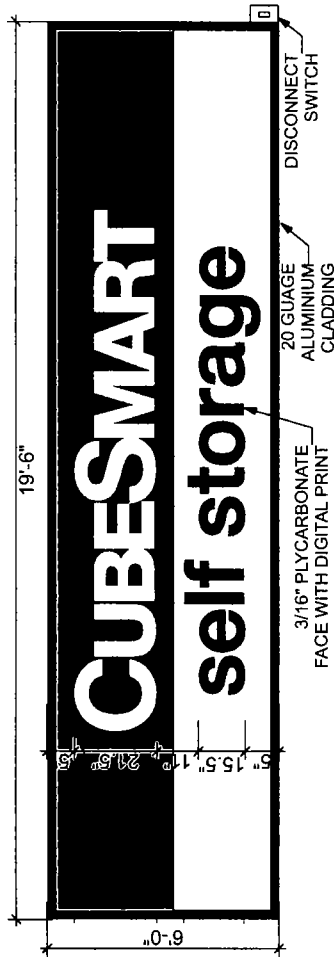
Total Square Foot Area 117

Elevation: SOUTH

Permit #100649352

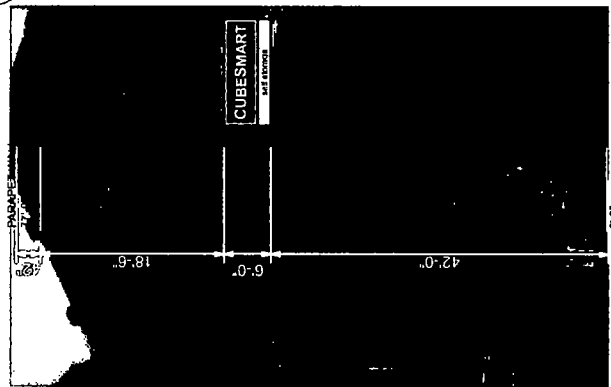
Such sign shall comply with all applicable provisions of TITLE 17 of the Chicago Zoning Ordinance and all other applicable provisions of the Municipal Code of the City of Chicago governing the construction and maintenance of outdoor signs, signboards and structures.


Alderman Sophia King
Ward 4



SINGLE FACE BOX SIGN DETAIL
NOT TO SCALE

1
A-1



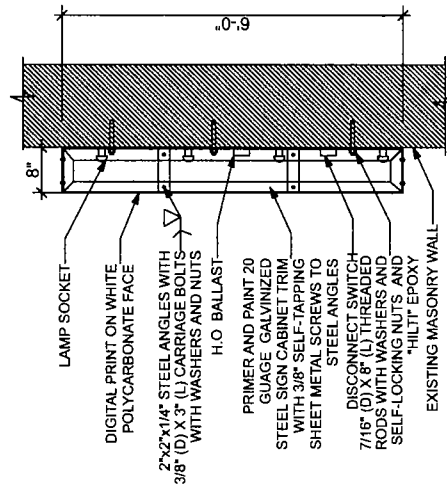
SOUTH ELEVATION PROPOSAL
NOT TO SCALE

3
A-1



EXISTING SIGNAGE
NOT TO SCALE

4
A-1



BOX SIGN SECTION
NOT TO SCALE

2
A-1

Client Data		Revisions		Copyright:		Sheet A-1 Sign 1 of 4 Design #: 24543	
CUBESMART		elro signs		Office: 224.653.8445			
407 East 25th Street		CALIFORNIA		Fax: 224.653.8531			
Chicago, Illinois 60617		400 West Walnut Street, Gardena, CA 90248		E-mail: ozko@ozkosignsandlighting.com			
Store #0869		(800) 927-4655 • Fax (310) 380-7451		1119 Lunt Ave, Schaumburg, IL 60193			
		GEORGIA		www.ozkosignsandlighting.com			
		1640 Sands Place SE Suite A Marietta, GA 30067					
		Toll Free: (877) 367-3576 • Fax (770) 952-4710					

